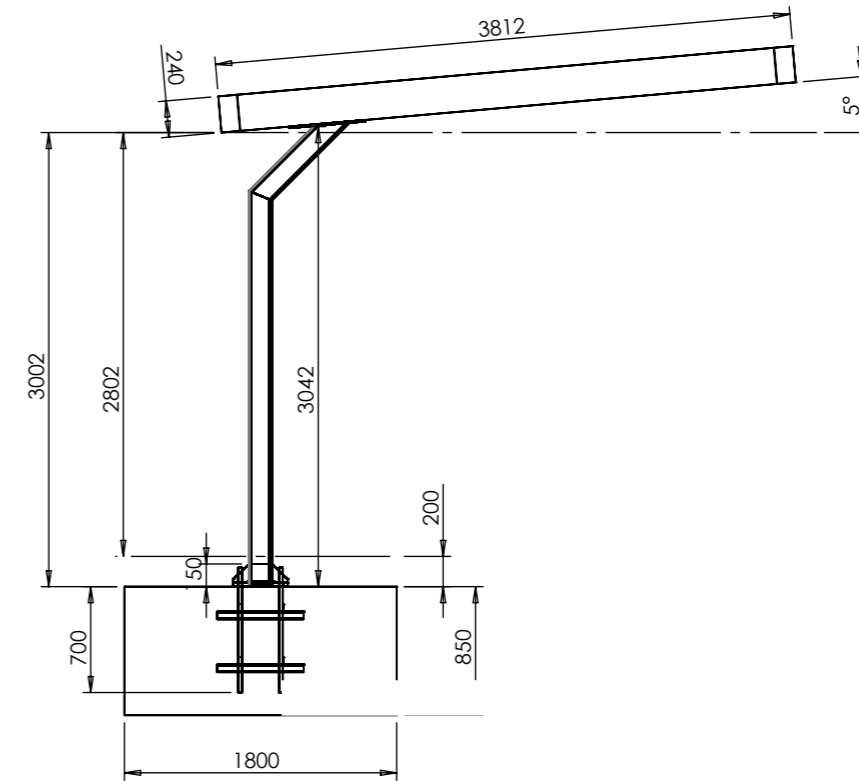
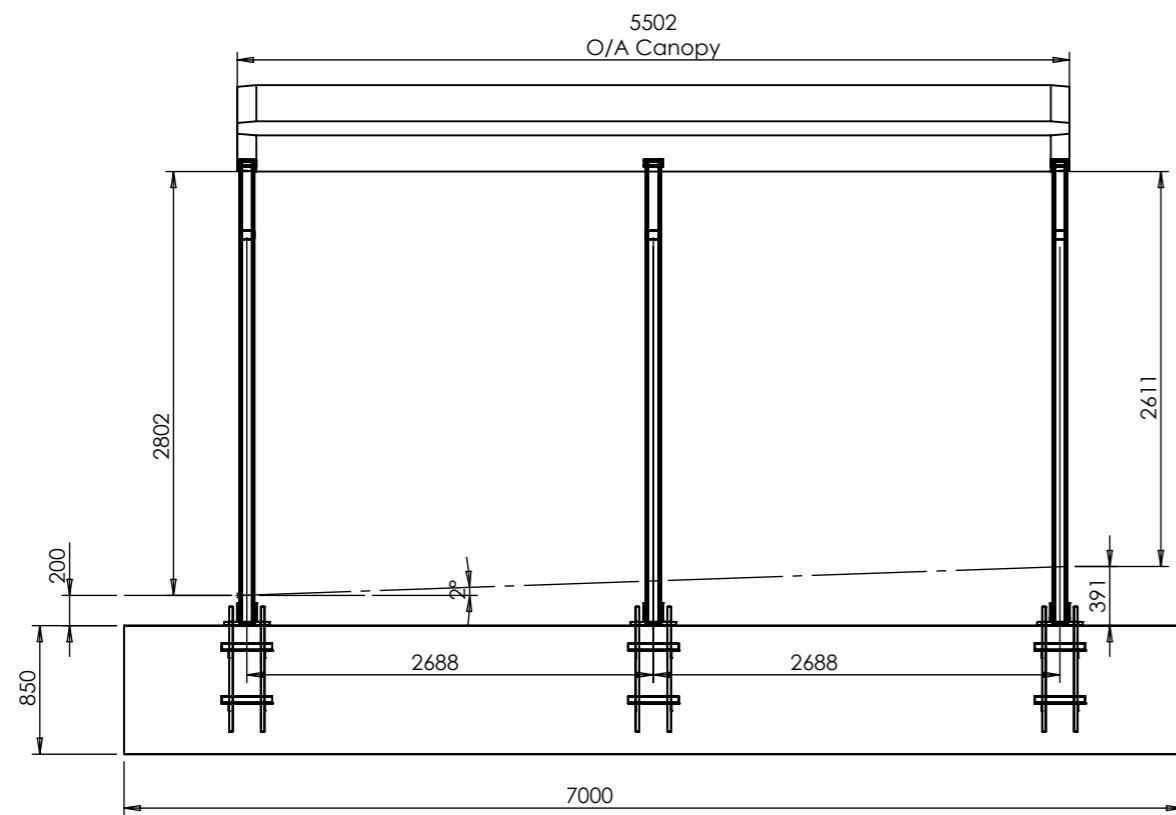


ALL GROUND LEVELS AND STEEL HEIGHTS TBC
 INSTALL ROOT CAGES WITH HARD TEMPLATE.

READ IN CONJUNCTION WITH STRUCTURAL REPORT



	NAME	DATE	UNLESS OTHERWISE SPECIFIED: DIMENSIONS ARE IN MILLIMETERS UNIT SYSTEM : MMGS TOLERANCES: LINEAR: ANGULAR:
		18/03/2024	
DRAWN	SB	18/03/2024	DEBUR AND BREAK SHARP EDGES
APPV'D	TBC	WEIGHT:	
		FINISH:	

TITLE:
 McDonalds - Canopy - Root Cage