

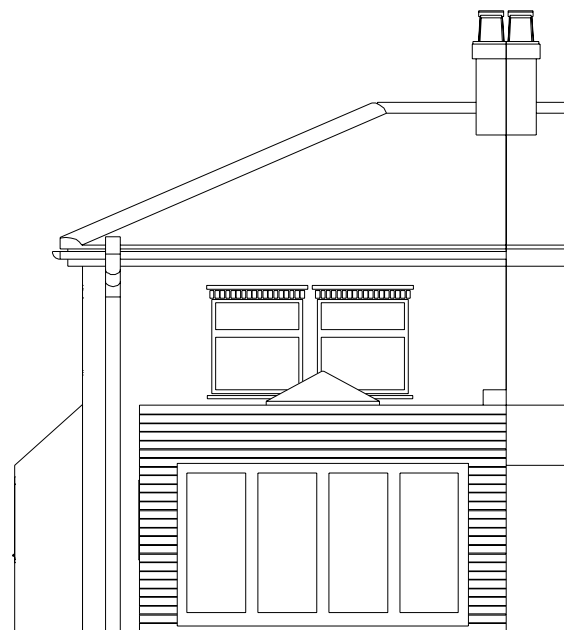
FRONT ELEVATION  
(UNCHANGED)  
SOUTH WEST



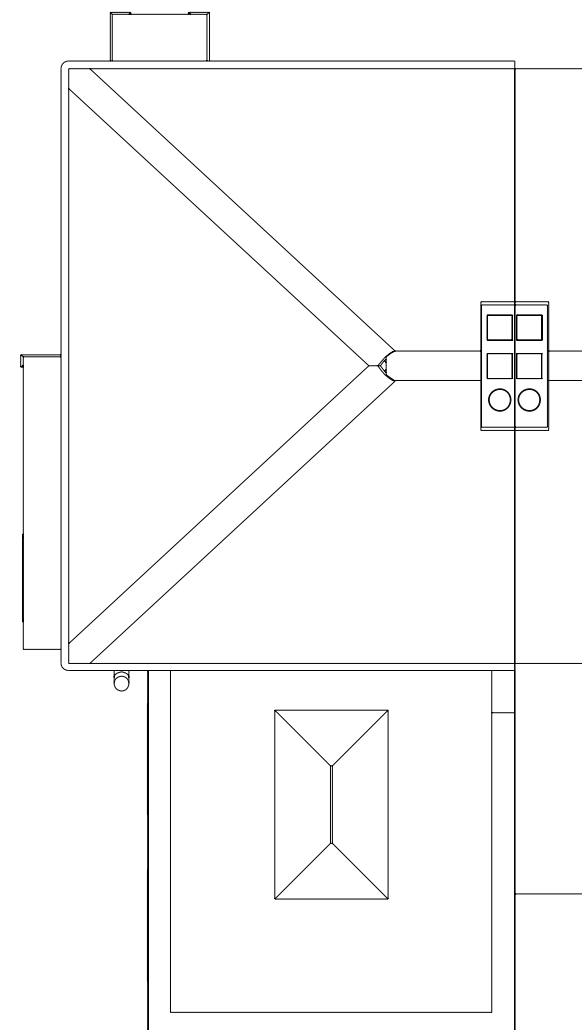
PROPOSED SIDE  
ELEVATION  
SOUTH EAST

PARAPET MATCHES TAPER OF ATTACHED  
PROPERTY ROOF FOR CLEAN LEAD FLASHING

INTERNAL FLOOR HEIGHT MATCHES  
EXISTING KITCHEN. EXTERNAL SITE  
GROUND LEVELS REMAIN UNCHANGED



PROPOSED REAR  
ELEVATION  
NORTH EAST



ROOF PLAN

Toby Trett  
62 Lynn Road  
Southery  
PE38 0HT



0m 1m 2m 3m 4m 5m

ALL ELEVATIONS AT  
1:100 SCALE ON A3

PROPOSED LAYOUT  
62 LYNN ROAD  
SOUTHERY  
PE38 0HT