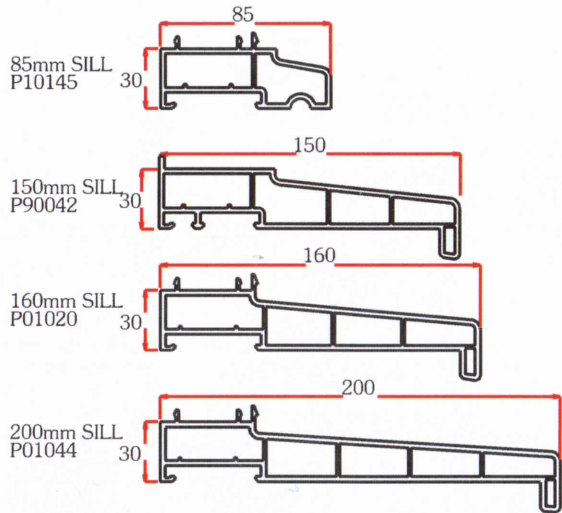
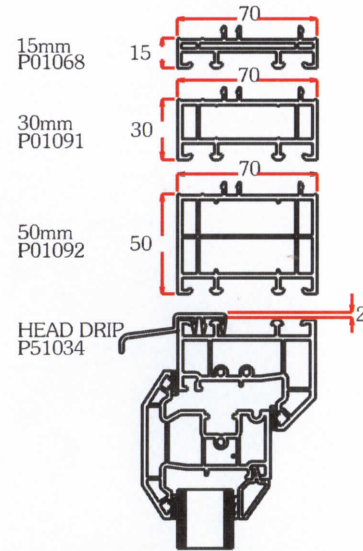


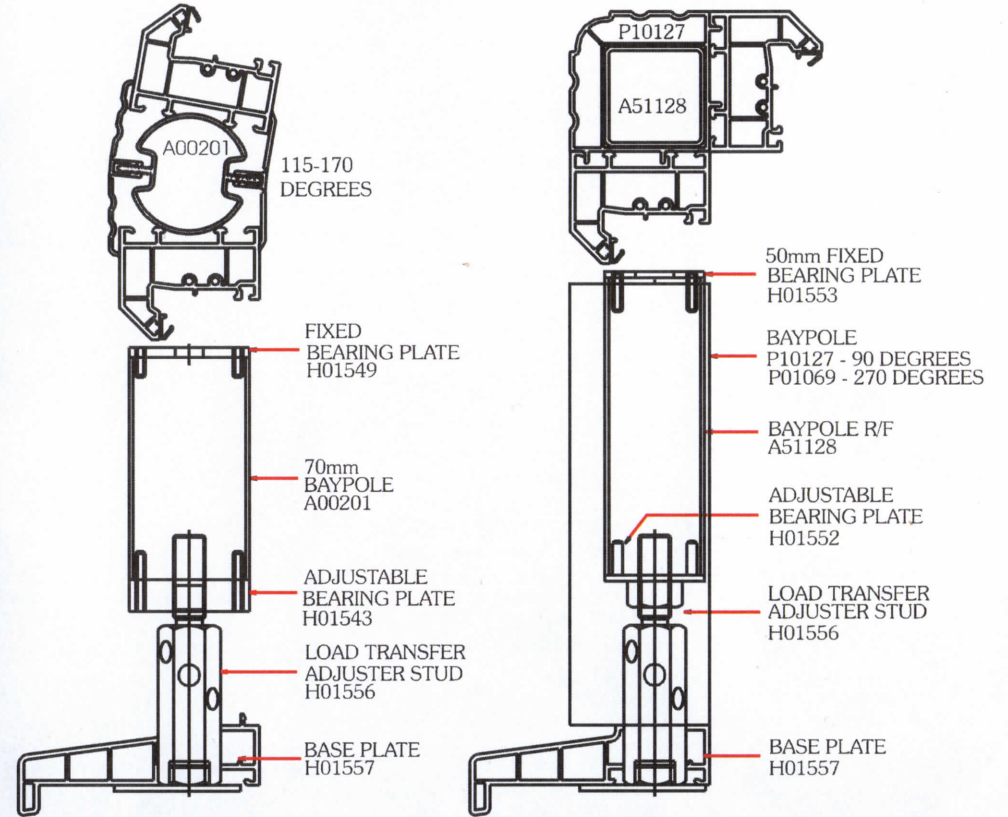
SILLS



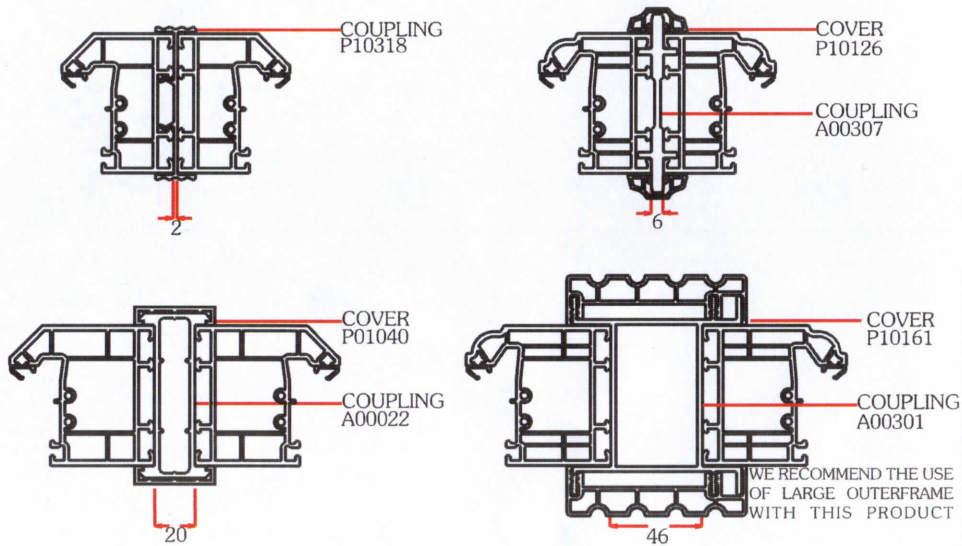
FRAME EXTENSIONS



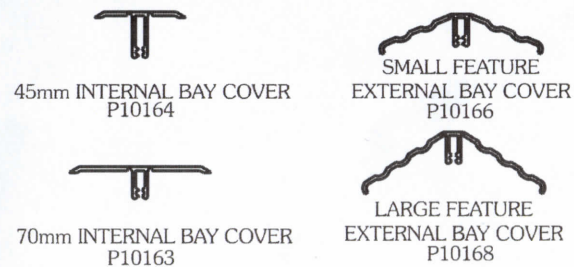
BAY POLES AND BAY ANCILLARIES



COUPLING PROFILES



115-170 DEG. ANGLE BAYS



107-179 DEG. BOWS

