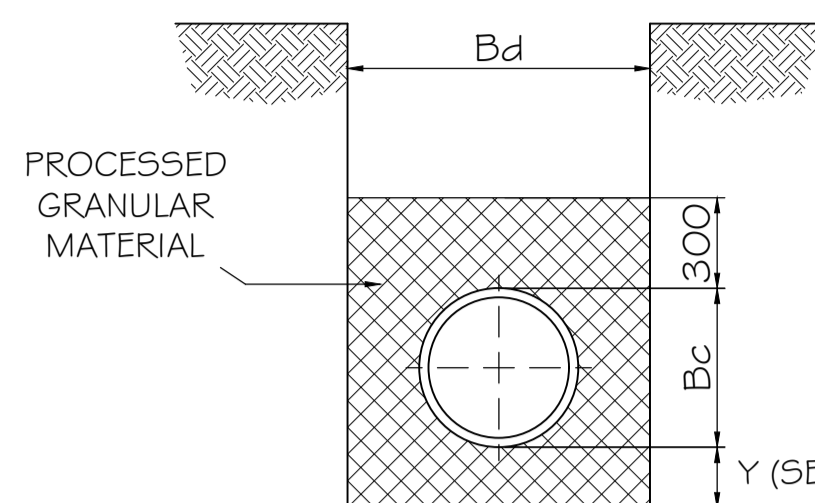


Revision  
DRAWING No. A023/325/BR/02

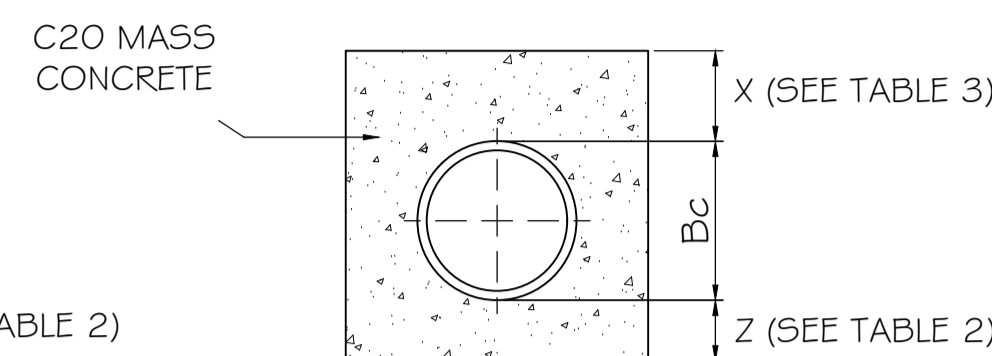
DO NOT SCALE DIMENSIONS FROM DRAWING

NOMINAL INT PIPE DIA	DIMENSION Y1 EVEN TRENCH BOTTOM (MIN)	DIMENSION Y2 ROCK OR UNEVEN TRENCH BOTTOM (MIN)	PROCESSED GRANULAR MATERIAL	DIMENSION Z (MIN)	PERMITTED TRENCH WIDTH (MAX)	
150	100	200	10mm SINGLE SIZED OR 14mm TO 5mm GRADED	100	750	
225	100	200		100	825	
300	100	200		100	925	
375	100	200		14mm SINGLE SIZED OR 14mm TO 5mm GRADED	100	1050
450	150	200			150	1150
525	150	250	150		1200	
600	150	250	150		1350	
675	150	250	150		1450	
750	225	300	20mm SINGLE SIZED OR 20mm TO 5mm GRADED	225	1500	
825	225	300		225	1600	
900	225	300		225	1900	
975	225	300		225	2000	
1050	225	300		225	2100	
1125	225	300	40mm SINGLE SIZED OR 40mm TO 5mm GRADED	300	2200	
1200	250	350		300	2300	
1350	375	450		375	2500	
1500	375	450		375	2700	
1650	375	450		450	2800	
1800	375	500	40mm SINGLE SIZED OR 40mm TO 5mm GRADED	450	3100	
1950	400	500		525	3200	
2100	425	650		525	3400	
2400	450	675		600	3700	

NOTE:  
Bc = OUTSIDE DIAMETER OF PIPE  
Bd = EFFECTIVE TRENCH WIDTH MEASURED 300mm ABOVE CROWN OF PIPE

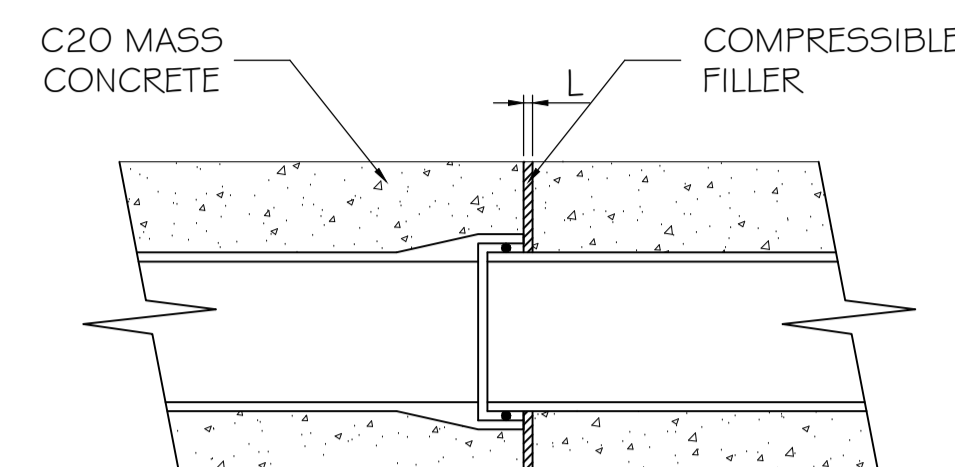


TYPE 7  
EMBEDMENT CLASS S

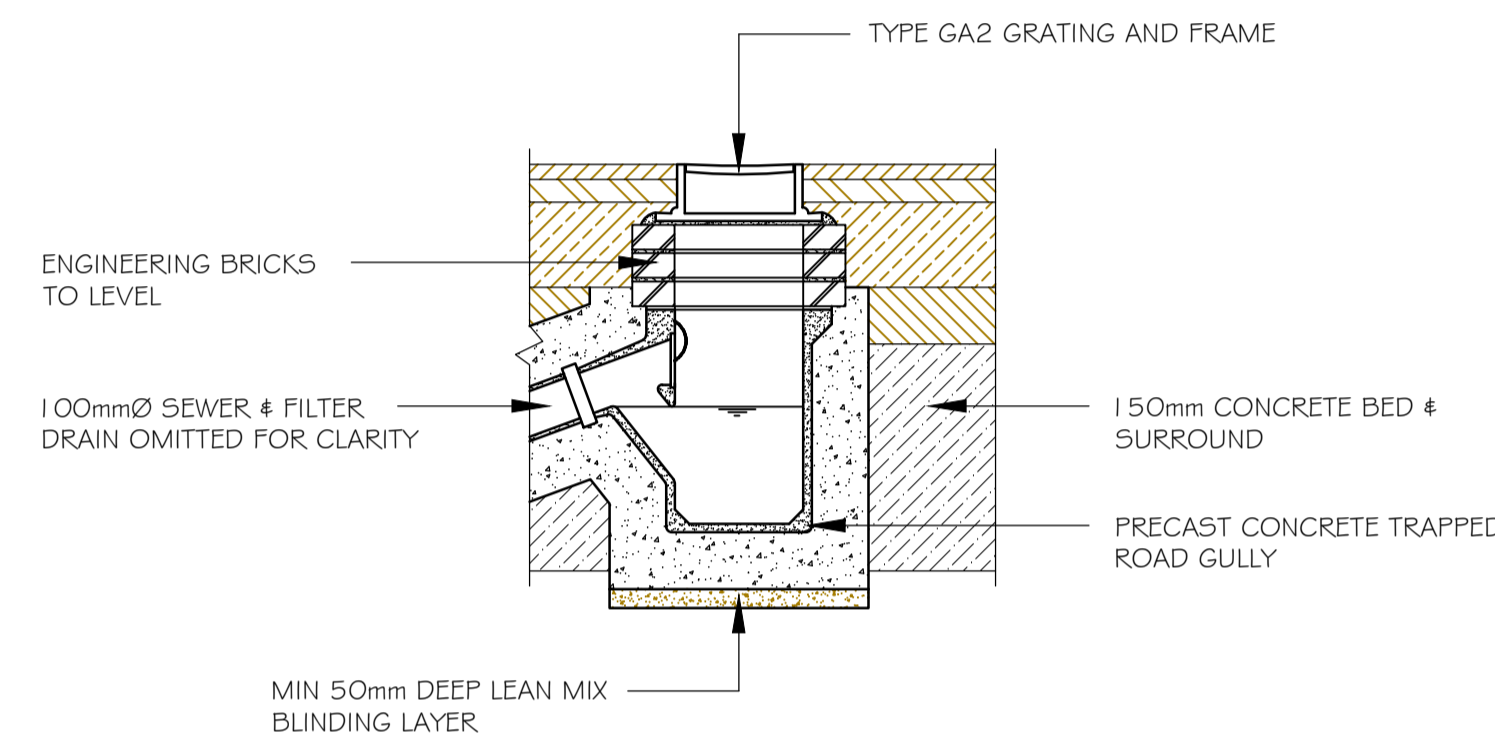


CONCRETE SURROUND  
EMBEDMENT CLASS S

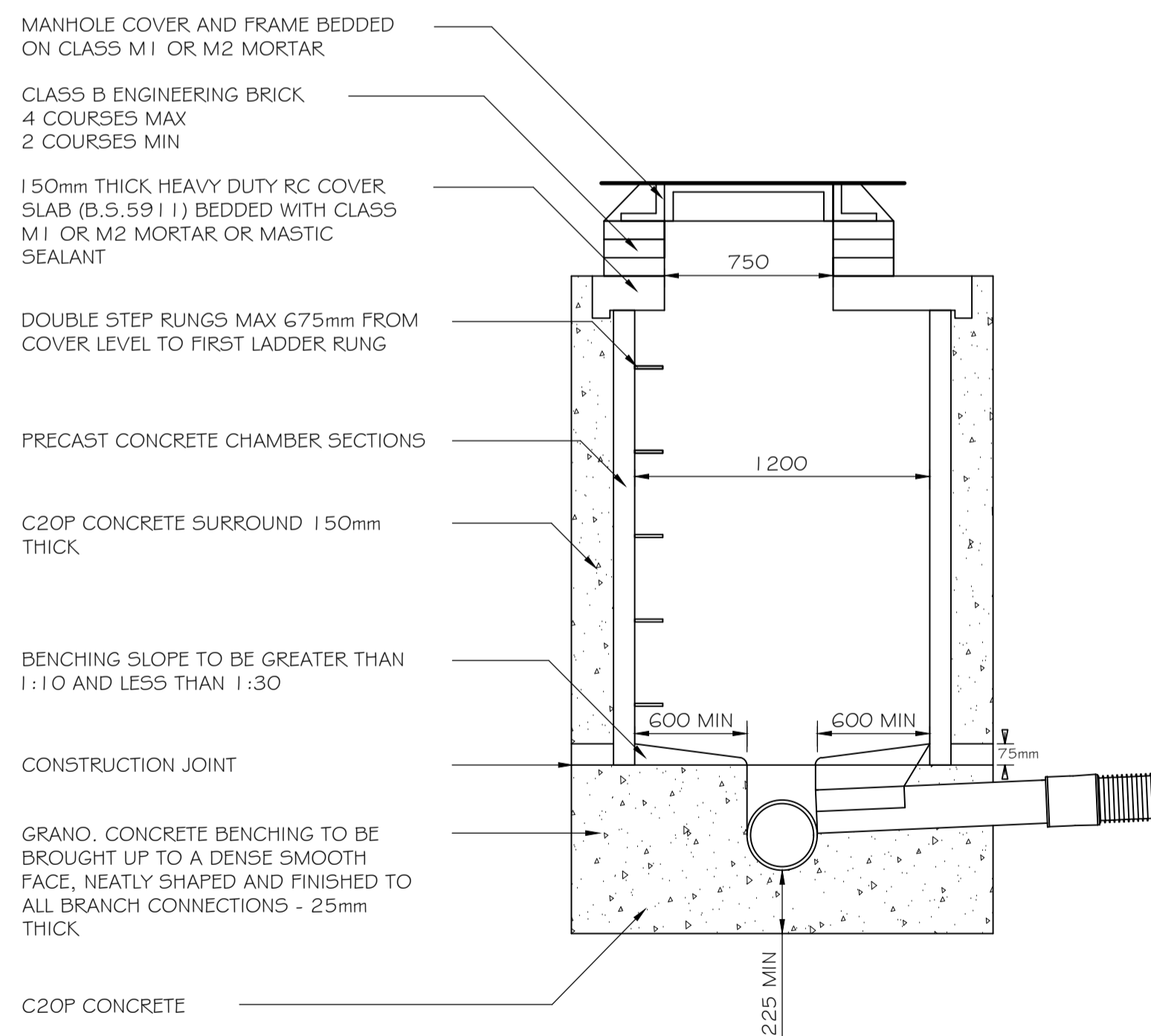
NOMINAL INT PIPE DIA	DIMENSION Xmm	COMPRESSIBLE FILLER Lmm
<400	160	18
400-700	200	36
725-1200	300	36
>1200	300	54



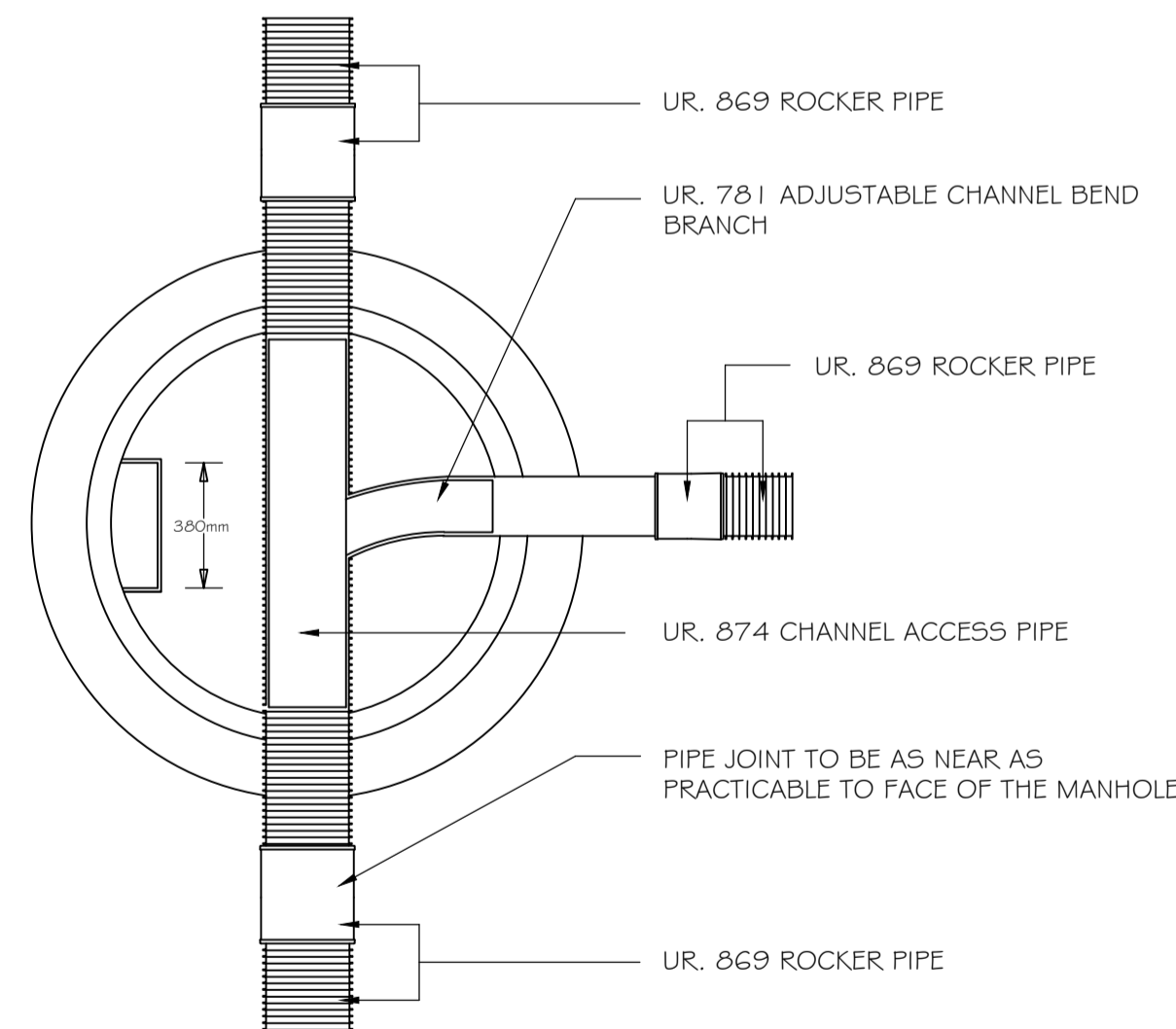
FLEXIBLE JOINT DETAILS FOR CONCRETE BED  
& SURROUND SPIGOT & SOCKET PIPES



ROAD GULLY DETAIL  
(SCALE 1:20)



TYPICAL MANHOLE DETAIL TYPE I  
(SCALE 1:20)



TYPICAL SOAKAWAY DETAIL  
(SCALE 1:20)

**NOTES**  
1. ALL DIMENSIONS ARE IN MILLIMETRES.  
2. DO NOT SCALE FROM THIS DRAWING.  
3. THIS DRAWING IS TO BE READ IN CONJUNCTION WITH ALL OTHER RELATED DRAWINGS AND DOCUMENTS.  
4. THE CONTRACTOR IS TO CHECK AND VERIFY ALL DIMENSIONS ON SITE PRIOR TO COMMENCEMENT OF CONSTRUCTION WORKS.  
5. THE ENGINEER/ARCHITECT SHOULD BE CONTACTED IMMEDIATELY IF THE ASSUMPTIONS USED IN THE DESIGN AND DRAWING PREPARATION DIFFER TO THAT FOUND ON SITE.

Rev.	Amendments	Date	By
------	------------	------	----

**Keystone Design Associates Ltd.**  
Registered Office  
Development House  
251 Church Street  
Blackpool FY1 3JG  
Tel. No. 01253 649040  
Fax. No. 01253 752901  
Email : info@keystonedesign.co.uk

PROJECT ADDRESS  
LAND AT 58 COMMON EDGE ROAD  
BLACKPOOL, LANCASHIRE

PROJECT TITLE  
RESIDENTIAL DEVELOPMENT

DRAWING TITLE  
DRAINAGE GENERAL  
ARRANGEMENT

Client MR. S PITMAN Scales 1:20@A1

Drawn LM Checked Date 11/12/23

DRAWING No. A023/325/BR/02 Revision

This drawing & contents are the property of Keystone Design Assoc Ltd  
Unauthorised reproduction of the whole or any part thereof infringes  
Copyright and may lead to prosecution of civil proceedings  
F:\Server\Documents\Drawings\2023\Common Edge Road 58