

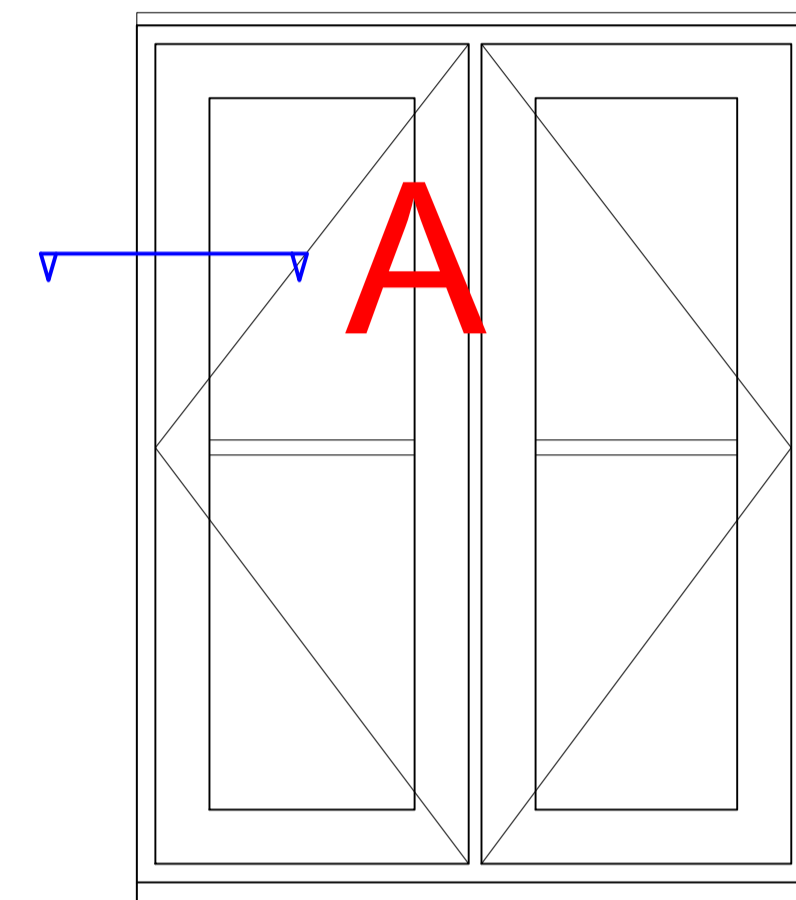
01

02

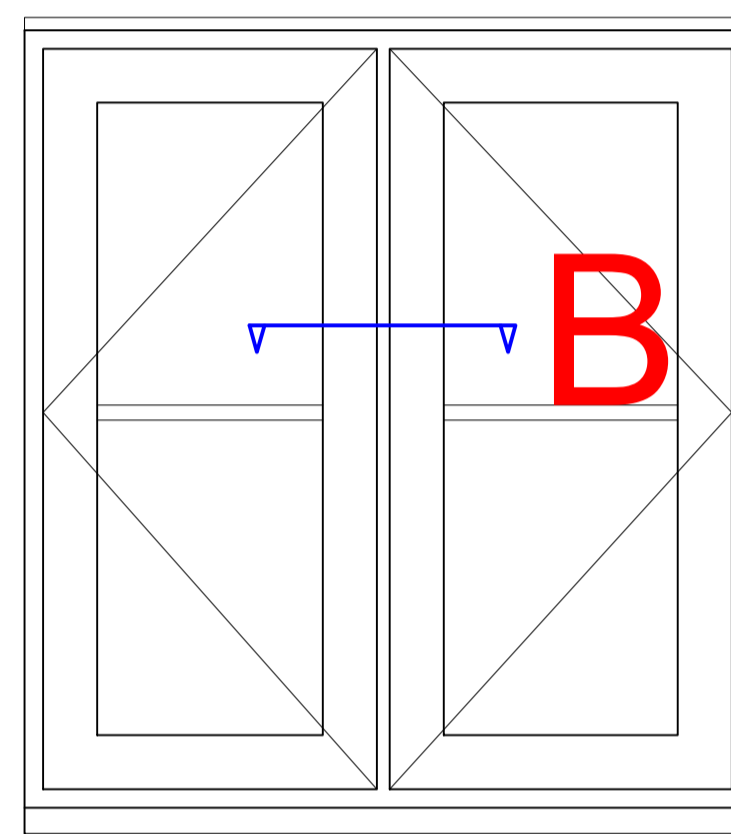
08

07

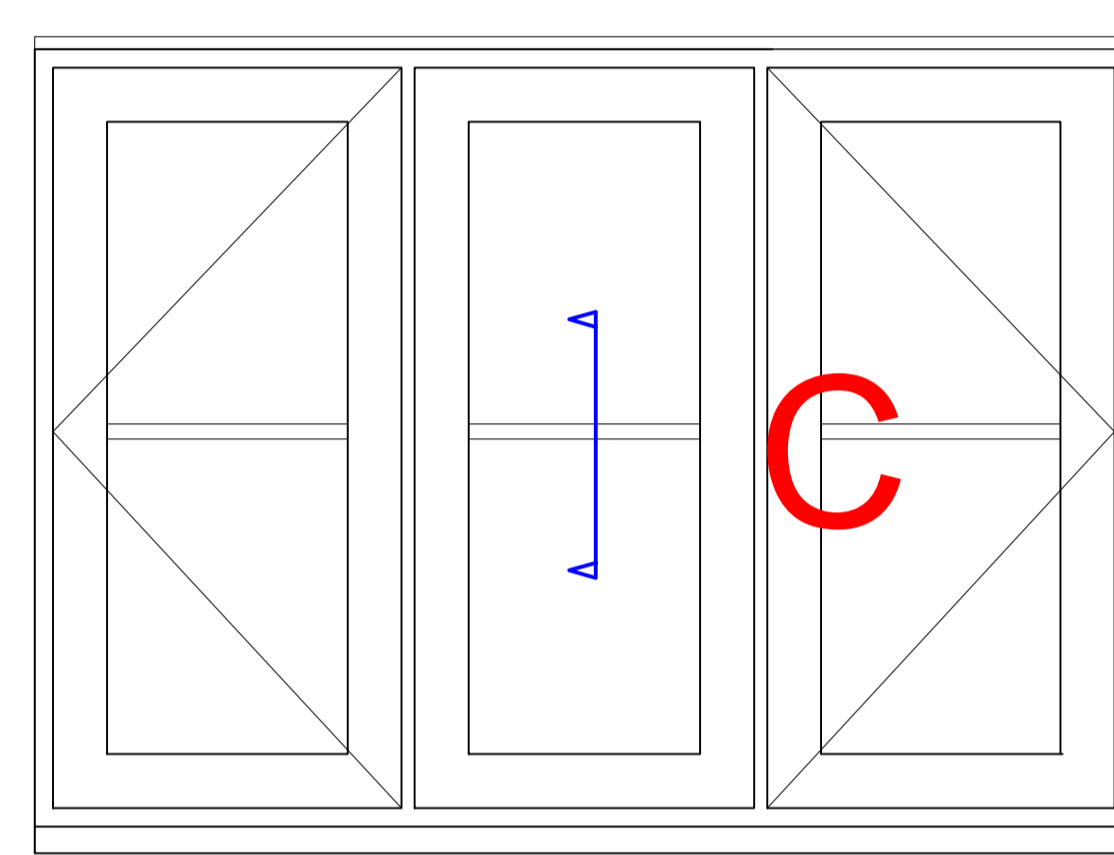
14



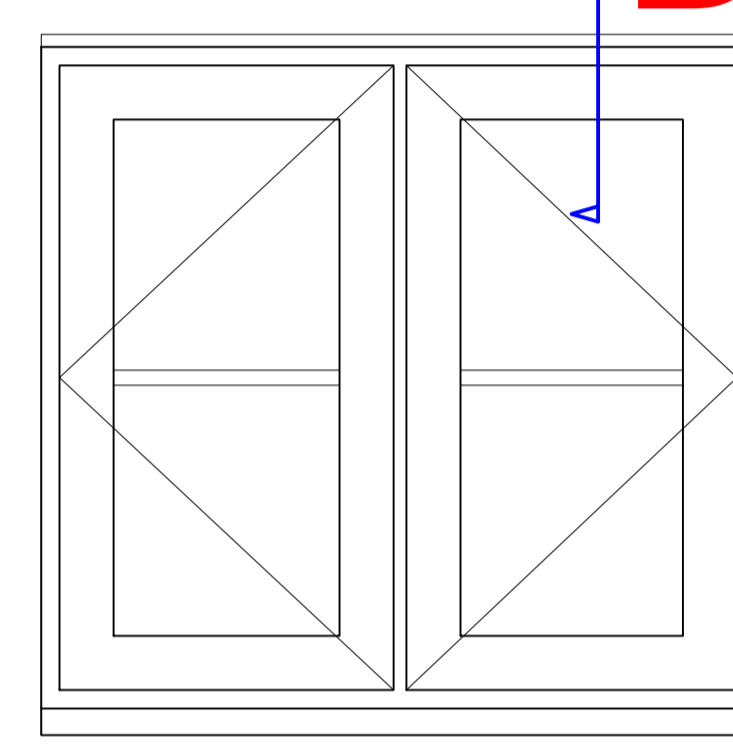
10



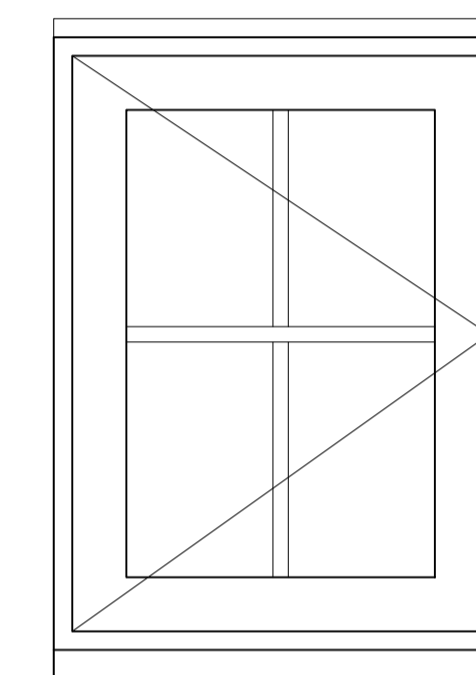
12



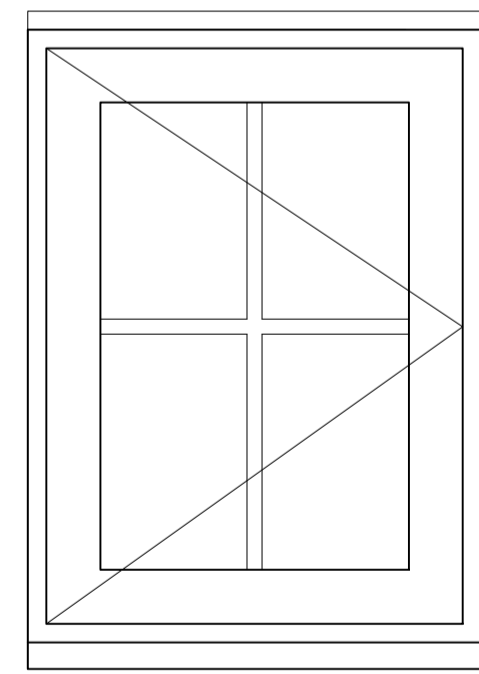
13



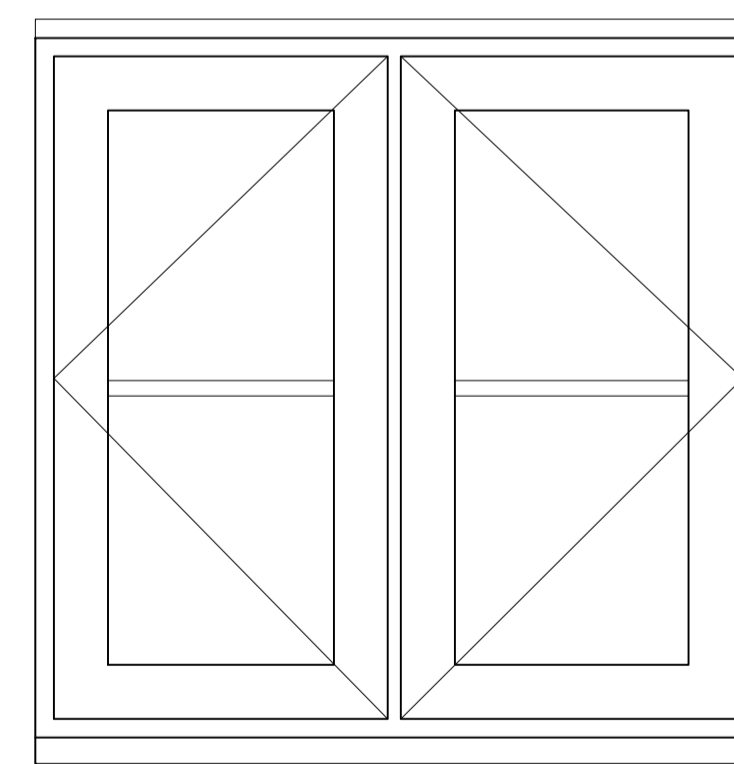
06



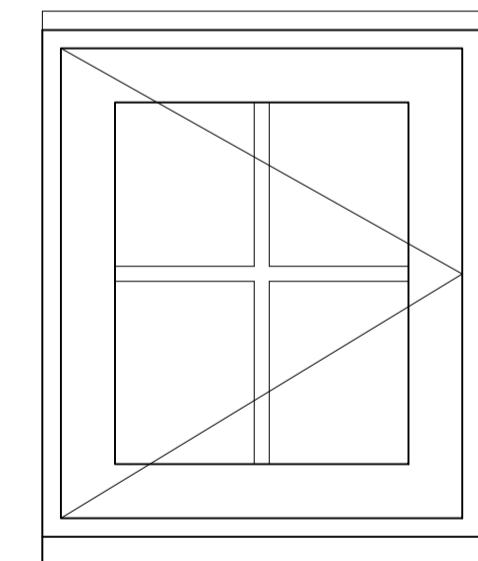
04



05



15



09

1. All dimensions in millimetres (mm) and levels in metres (m) unless noted otherwise.
2. This drawing to be read in conjunction with all other relevant drawings and specification.
3. All work to comply with the relevant British Standards, Codes of Practice and the Building Regulations.

Revisions:

Customer: Mrs Gill Ingle
Hazel Cottage
Tamar Way
GUNNISLAKE
PL18 9DH

Drawing Title:
Proposed Pvcu windows

Drawing No: 0670/PP/04 Contract No: SB0670BD

Scale: 1:10 Starting Date:

Drawn: E.Radinaite Size: A1 Revision: . Ref No: .

© Crown copyright. All rights reserved.
License numbers 010031673 and 100042205

