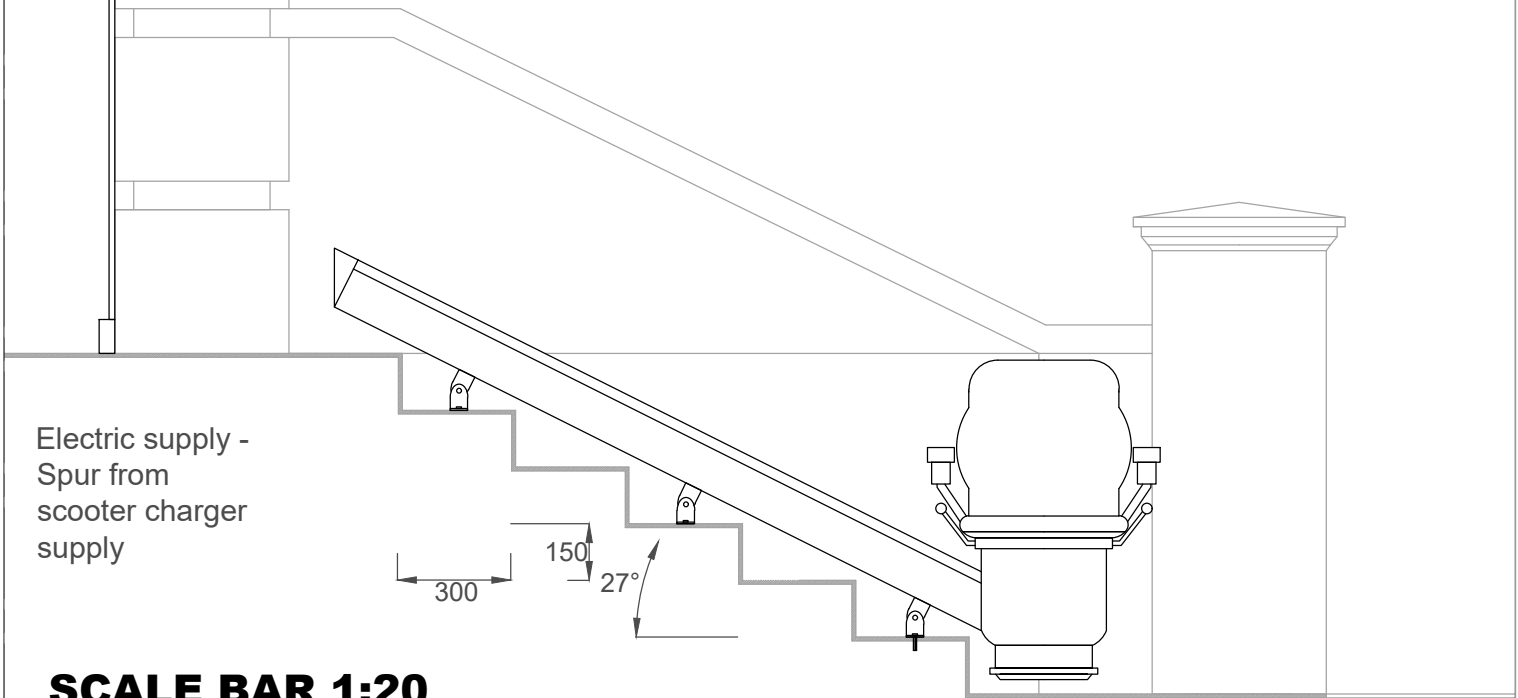
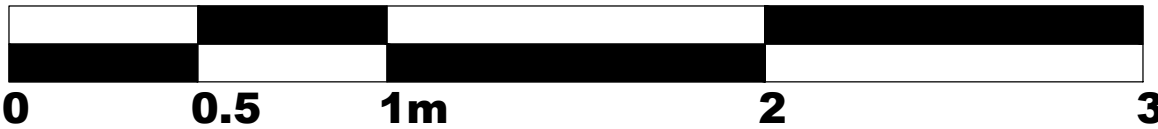


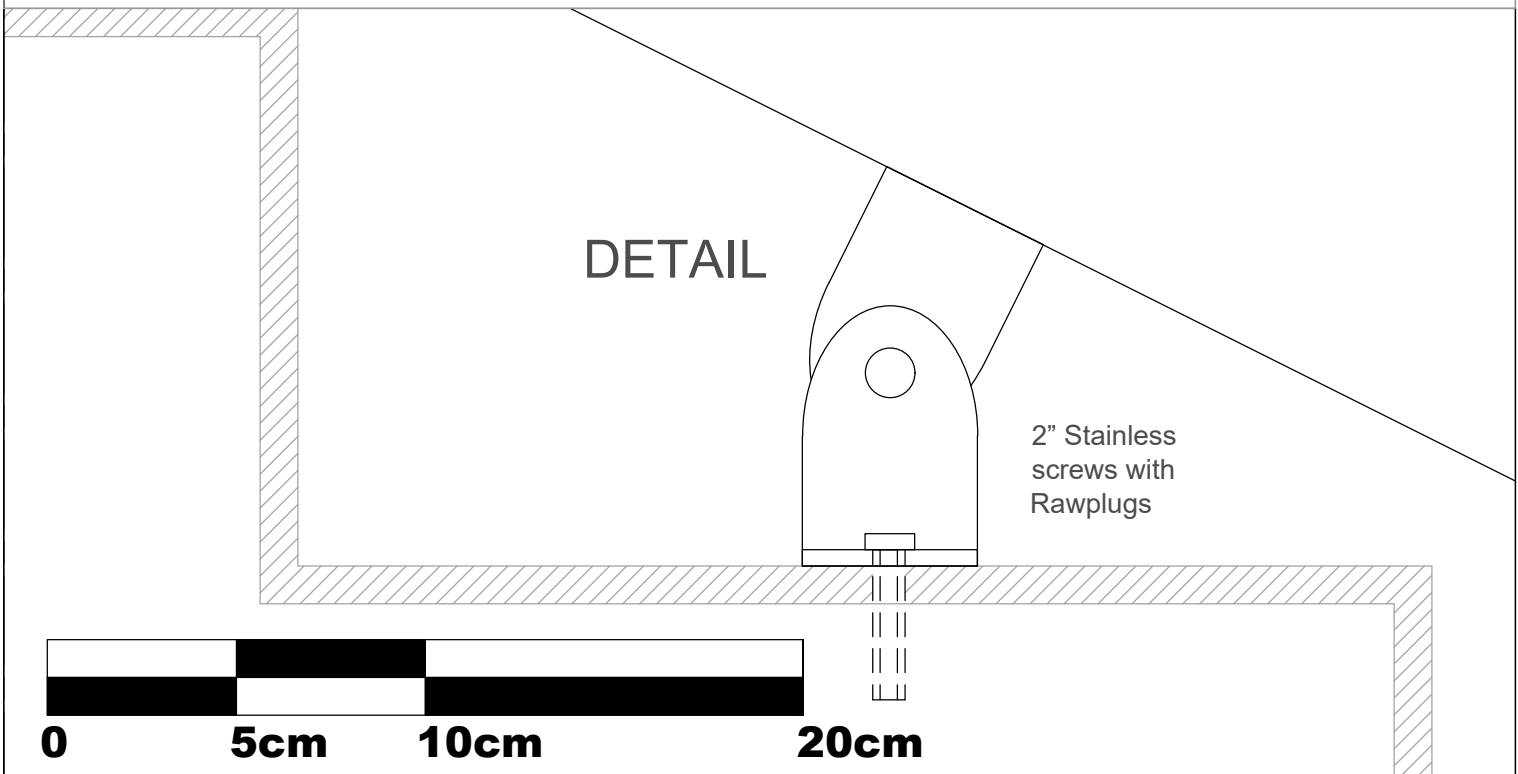
PROPOSED SECTION



SCALE BAR 1:20



DETAIL



**SCALE
BAR 1:2**

Date	29.01.24	Address	
Drawn by	Melissa Greener	Flat 2, 21 First Avenue Hove BN3 2FH	
Revision		Disabled Facilities Grant Team Brighton & Hove City Council Hove Town Hall, Norton Road, Hove BN3 3BQ	212/FAH/007
Scale	As indicated		