

TYPE IDT_01 - Studio Door/Cluster Entrance Door FD30S

Flush Panel Door. 29Rw + acoustic seals; Tube core. Veneered door in solid wood or alternative of equal quality with softwood frames. Stainless steel lever handles; Mortice Cylinder and thumbturn; Cylinder mortice sash lock case. Concealed fixing escutcheon; Overhead door closer; Door viewer; Door stop; 50mm high brushed stainless steel door numerals; 1.5 pair stainless steel CE rated BB Ball race butt hinges per leaf; 200mm stainless steel kick plate one side. Minimum clear opening 850mm

TYPE IDT_02 - Storage Cupboard Door NFR

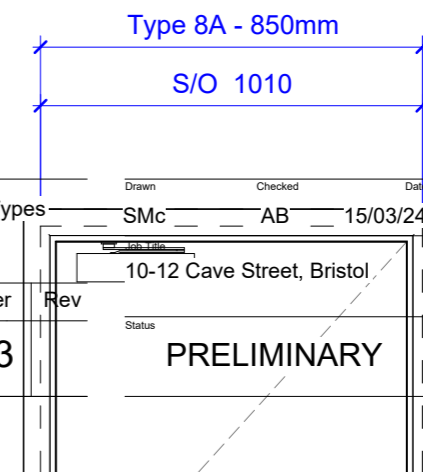
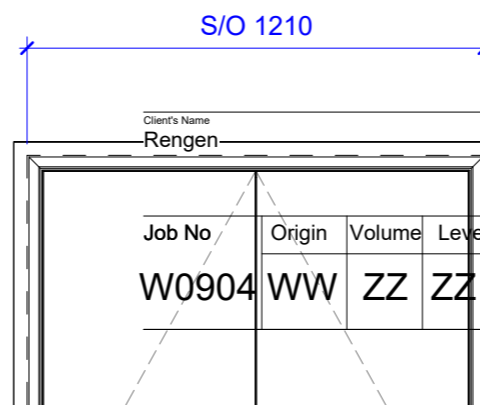
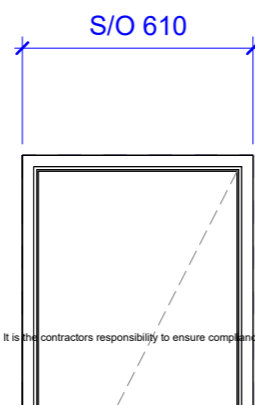
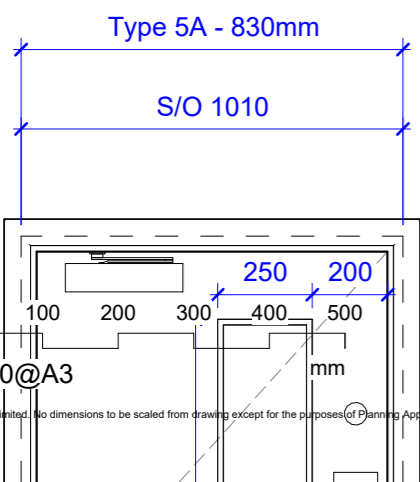
Flush Panel Door. Solid wood. Veneered door in solid wood or alternative of equal quality. 1.5 pair stainless steel CE rated BB hinges; Floor mounted Door stop; lever handles with concealed fixing roses

TYPE IDT_03 - Studio Door - Lobbied FD30S

Flush Panel Door. 29Rw + acoustic seals; Flush Panel Door with Vision Panel. Tube core. Veneered door. Clear glazed vision panel - fire rated. 1.5 pair stainless steel CE rated BB hinges; overhead door closer; brushed stainless steel pull handle one side; push plate one side; heavy duty door stop; "Fire door keep shut" signage on both sides; latch or lock to suit corridor and entrance areas; 200mm stainless steel kick plates to both sides. Minimum clear opening 850mm.

TYPE IDT_04 - Bathroom Door NFR

Flush Panel Door. Solid wood. Veneered door in solid wood or alternative of equal quality. 1.5 pair stainless steel CE rated BB hinges; Floor mounted Door stop; lever handles with concealed fixing roses; Bathroom thumbturn lock with indicator; coat hook one side.



Scale 1:10@A3

© ECE Westworks Limited. No dimensions to be scaled from drawing except for the purposes of Planning Applications. The contractor should check all dimensions on site. It is the contractor's responsibility to ensure compliance with Building Regulations.

Client's Name
Rengen

Drawing Title
Typical Internal Door Types

Drawn
SMc

Checked
AB

Date
15/03/24

Job No	Origin	Volume	Level	Type	Role	Number	Rev
W0904	WW	ZZ	ZZ	DT	A	0313	

10-12 Cave Street, Bristol
PRELIMINARY

Rev Date Revision Details Dr Ch

Bristol: Westworks, Colston Tower, Colston Street, Bristol, BS1 4XE
T 0117 214 1101 E bristol@ecwestworks.com
Sussex: Brooklyn Chambers, 11 Goring Road, Worthing, West Sussex, BN12 4AP
T 01903 248777 E sussex@ecarchitecture.com
London: 76 Great Suffolk Street, London, SE1 0BL
T 0207 928 2773 E london@ecarchitecture.com
www.ecwestworks.com

CAD Plot Date: 03/04/2024 14:23:58