

Equipment.

- Floodlighting Equipment**
 2 x 28m Masts(New)
 Each carrying the following Siteco FL11 Maxi Pro LED Floodlights :-
- M1,M2.....11 x FL11 Maxi Pro PL33T
 2 x FL11 Maxi Pro RS08
 - 4 x 22m Masts(New)
 Each carrying the following Siteco FL11 Maxi Pro LED Floodlights :-
 - M3,M6.....3 x FL11 Maxi Pro PL33T
 4 x FL11 Maxi Pro RS08
 - M4,M5.....5 x FL11 Maxi Pro PL33T
 5 x FL11 Maxi Pro RS08



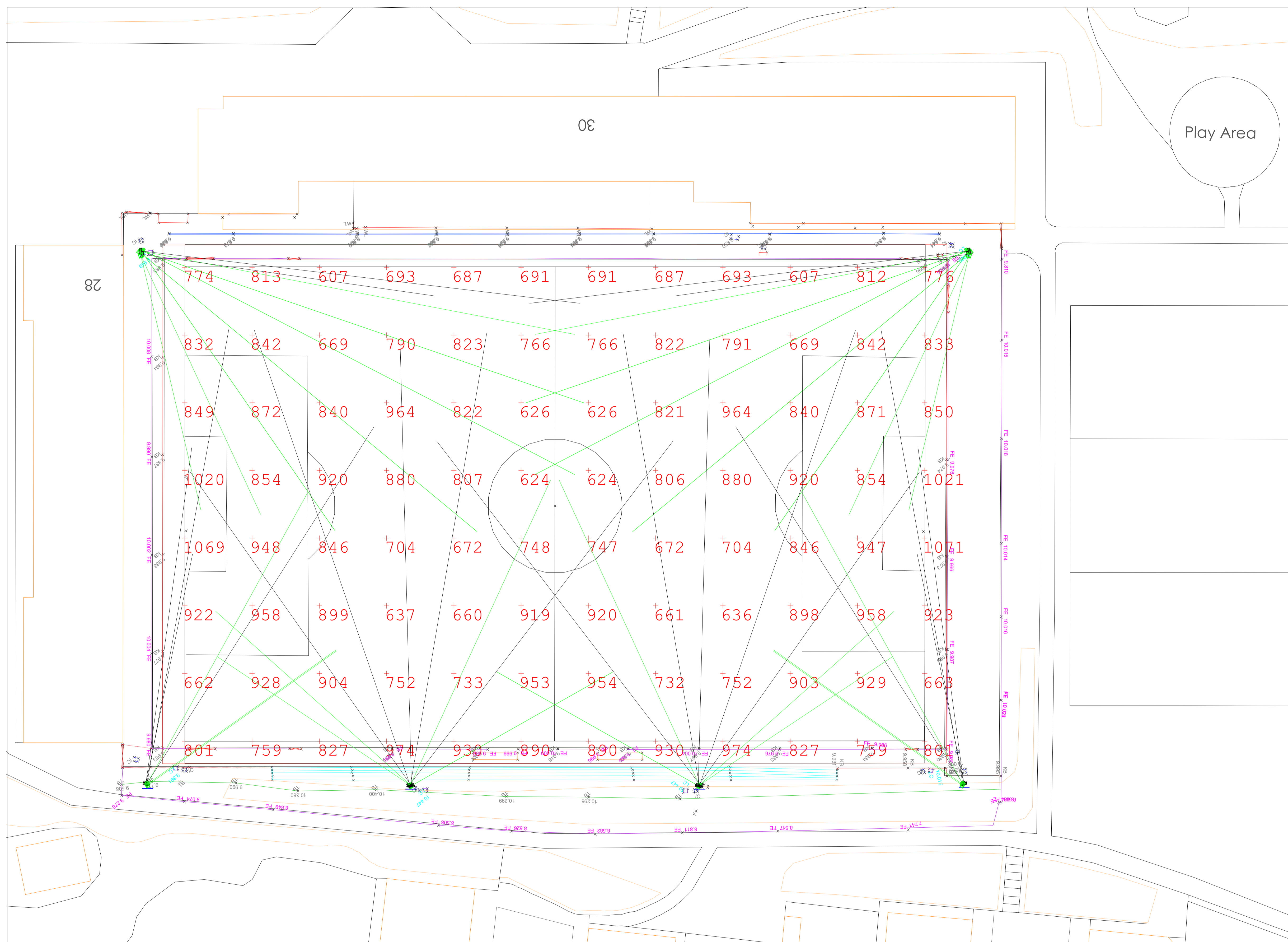
Project
**PETERSHILL PARK
 LED UPGRADE**

www.hallidaylighting.co.uk

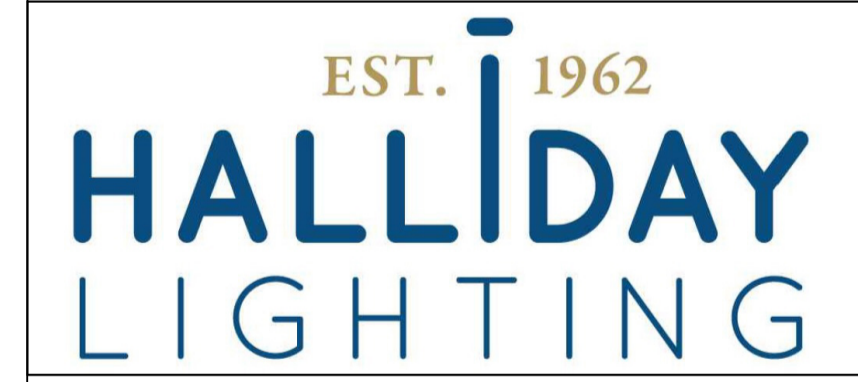
Drawing Title
Lighting Equipment

Drawn By (print) Neil Johnson	Date 9/2/2024
Project No HLS6923	Scale A1 1:250
Drawing No E01	Status Proposal

Luminaire Schedule							
Symbol	Qty	Label	Description	LLF	Luminaire Lumens	Luminaire Watts	Total Watts
■	38	FL11 Maxi Pro PL33T	5700K CR180 Ta10	0.900	216896	1540	58531
□	22	FL11 Maxi Pro RS08	5700K CR180 Ta10	0.900	155329	1388	30536



Equipment.



Project
**PETERSHILL PARK
 LED UPGRADE**

www.hallidaylighting.co.uk

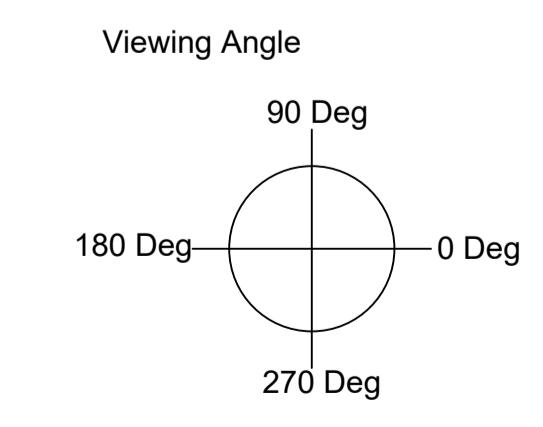
Drawing Title
UEFA Horizontal

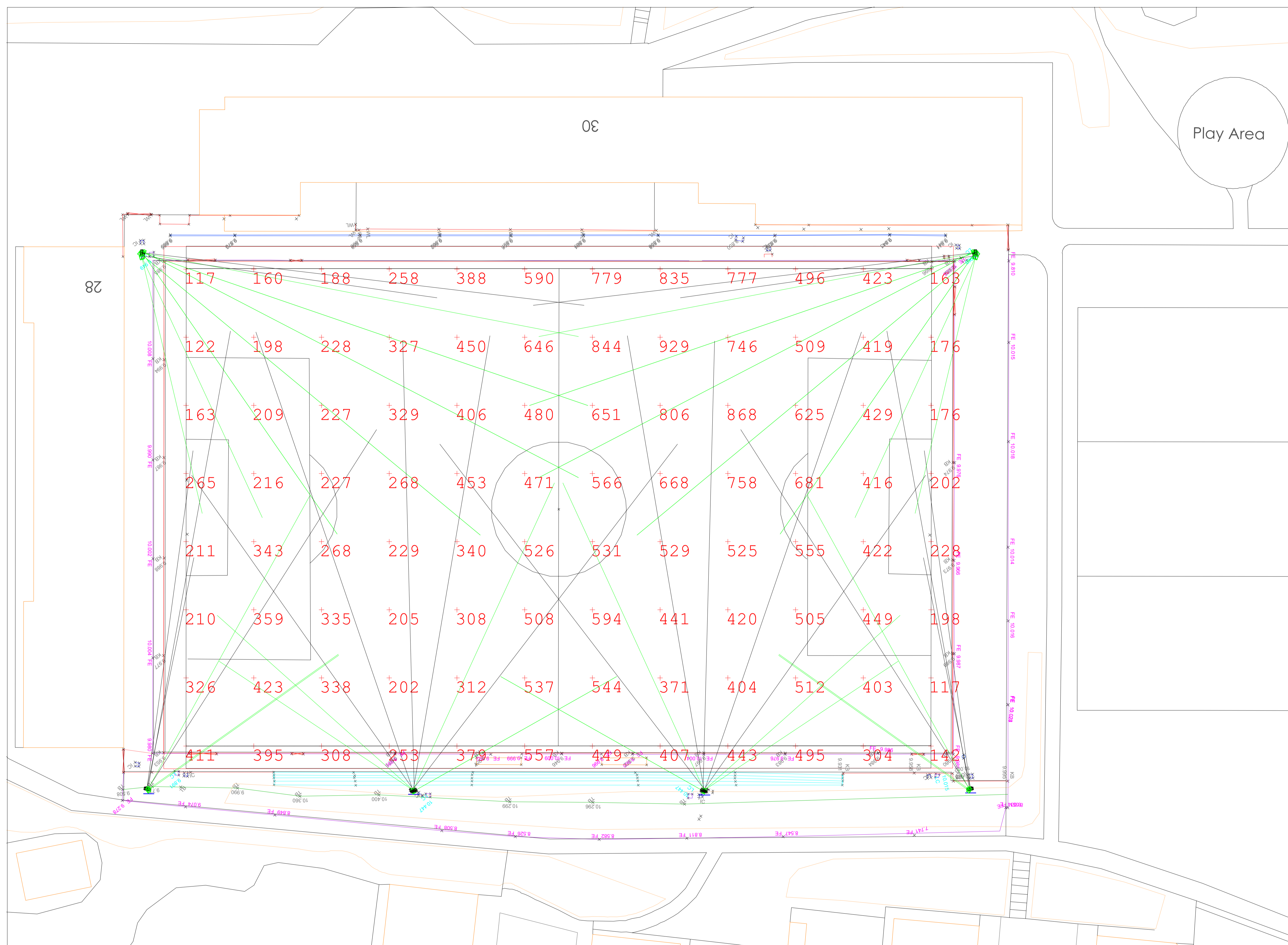
Drawn By (print) Neil Johnson	Date 9/2/2024
---	-------------------------

Project No HLS6923	Scale A1 1:250
------------------------------	--------------------------

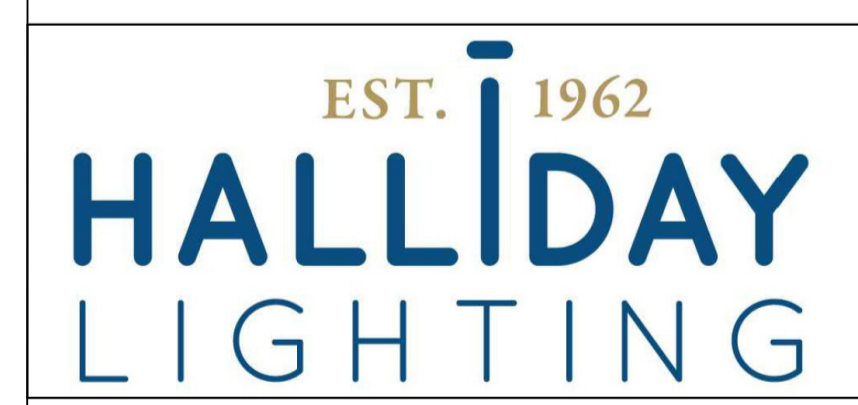
Drawing No E01	Status Proposal
--------------------------	---------------------------

Label	CalcType	Units	Avg	Max	Min	Min/Avg	Min/Max
UEFA Grid 0	Illuminance	Lux	409.31	928	116	0.28	0.13
UEFA Grid 180	Illuminance	Lux	409.24	927	117	0.29	0.13
UEFA Grid 270	Illuminance	Lux	558.51	1283	235	0.42	0.18
UEFA Grid 90	Illuminance	Lux	308.65	612	43	0.14	0.07
UEFA Grid Horizontal	Illuminance	Lux	812.46	1127	605	0.74	0.54





Equipment.



Project
**PETERSHILL PARK
 LED UPGRADE**

www.hallidaylighting.co.uk

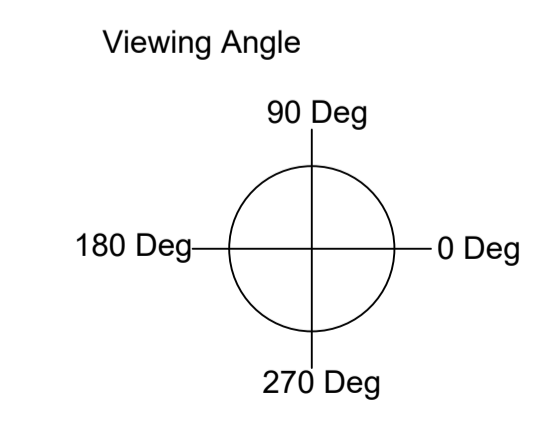
Drawing Title
UEFA 0 Degrees

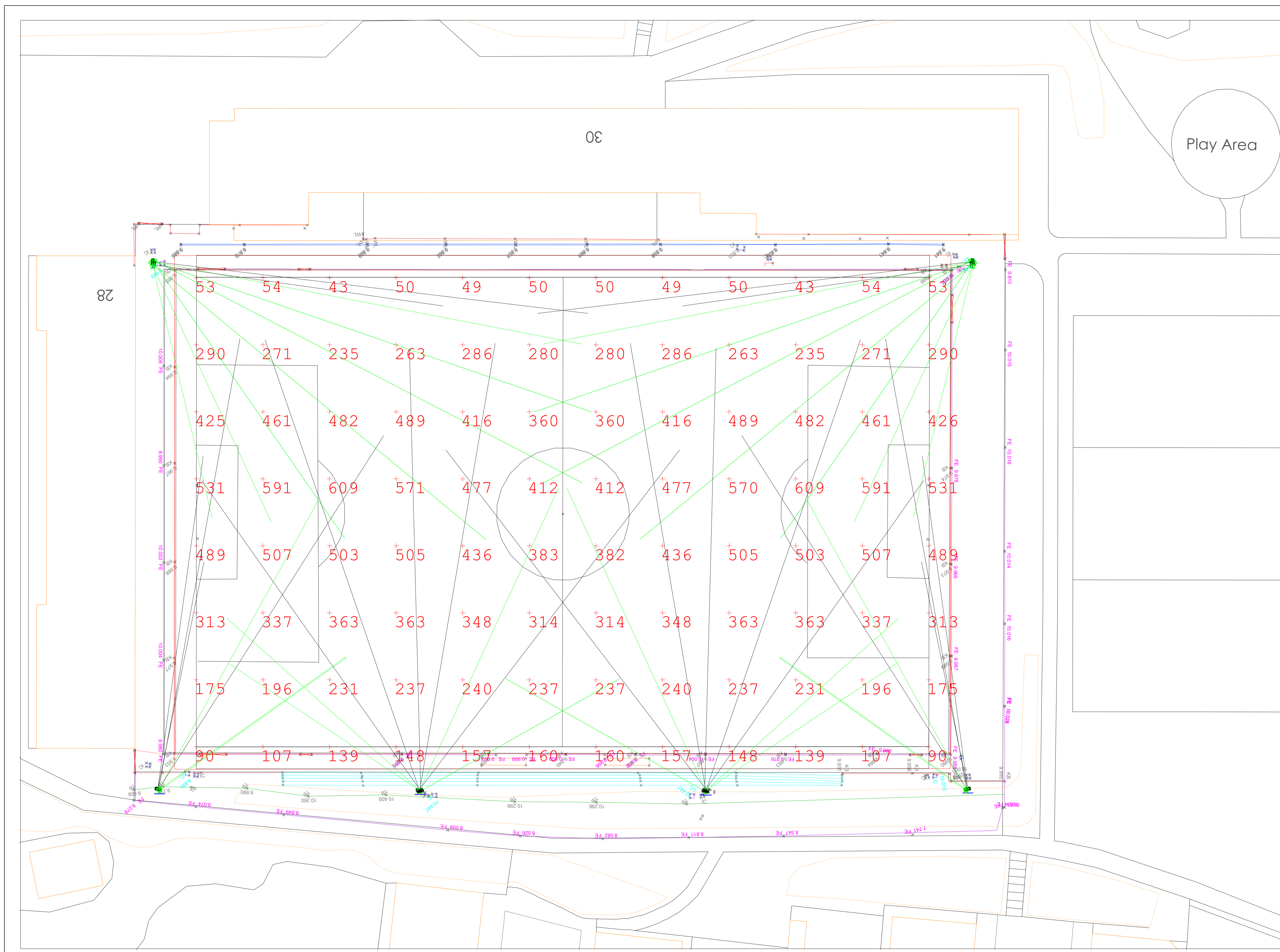
Drawn By (print) Neil Johnson	Date 9/2/2024
---	-------------------------

Project No HLS6923	Scale A1 1:250
------------------------------	--------------------------

Drawing No E01	Status Proposal
--------------------------	---------------------------

Calculation Summary						
Label	CalcType	Units	Avg	Max	Min	Min/Avg Min/Max
UEFA Grid 0	illumiance	Lux	409.31	928	116	0.28 0.13
UEFA Grid 180	illumiance	Lux	409.24	927	117	0.29 0.13
UEFA Grid 270	illumiance	Lux	558.51	1283	235	0.42 0.18
UEFA Grid 90	illumiance	Lux	308.65	612	43	0.14 0.07
UEFA Grid Horizontal	illumiance	Lux	812.46	1127	605	0.74 0.54



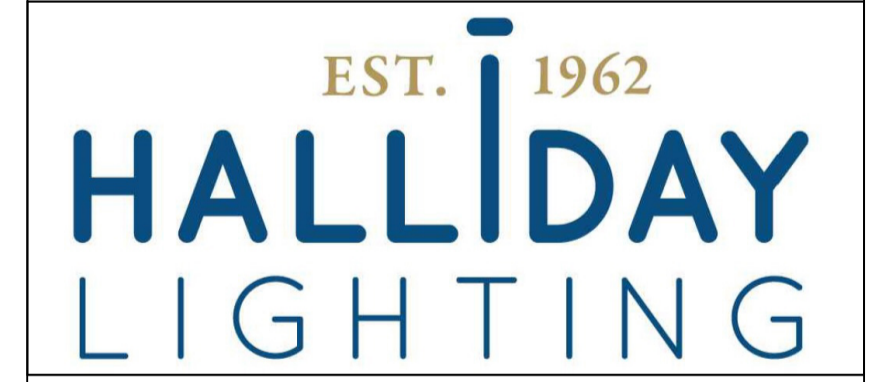
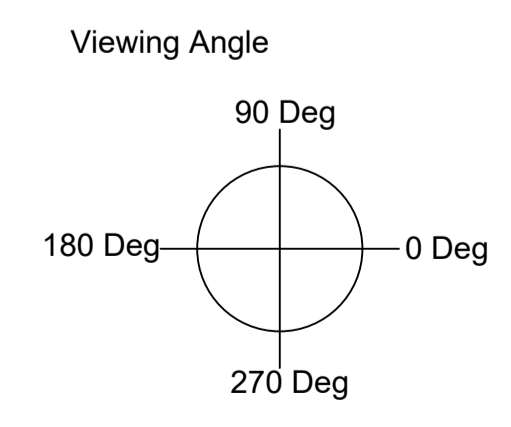


28

0E

Play Area

Calculation Summary							
Label	CalcType	Units	Avg	Max	Min	Min/Avg	Min/Max
UEFA Grid 0	Illuminance	Lux	409.31	928	116	0.28	0.13
UEFA Grid 180	Illuminance	Lux	409.24	927	117	0.29	0.13
UEFA Grid 270	Illuminance	Lux	558.51	1283	235	0.42	0.18
UEFA Grid 90	Illuminance	Lux	308.65	612	43	0.14	0.07
UEFA Grid Horizontal	Illuminance	Lux	812.46	1127	605	0.74	0.54



Project
**PETERSHILL PARK
 LED UPGRADE**

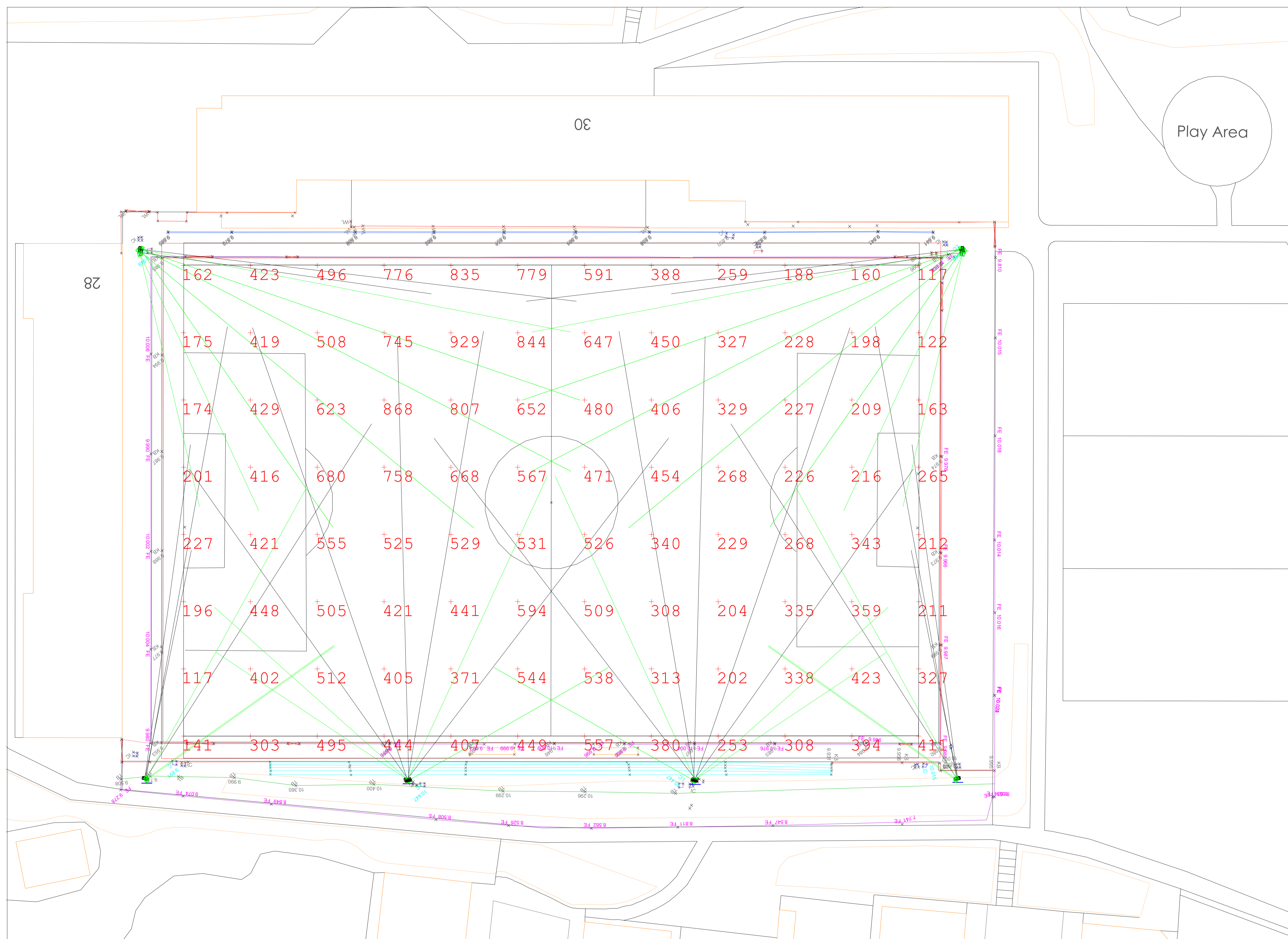
www.hallidaylighting.co.uk

Drawing Title
UEFA 90 Degrees

Drawn By (print) Neil Johnson	Date 9/2/2024
---	-------------------------

Project No HLS6923	Scale A1 1:250
------------------------------	--------------------------

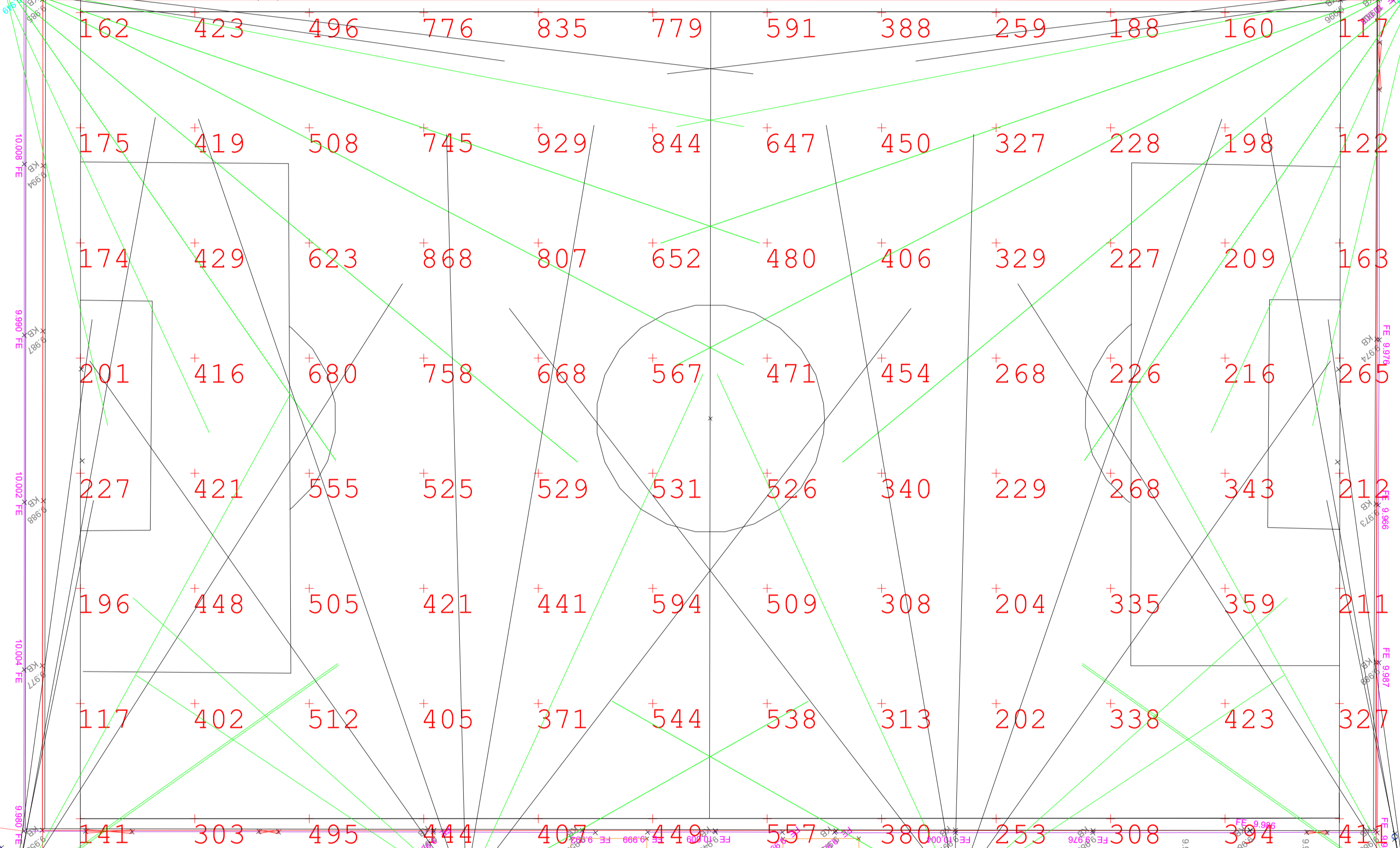
Drawing No E01	Status Proposal
--------------------------	---------------------------



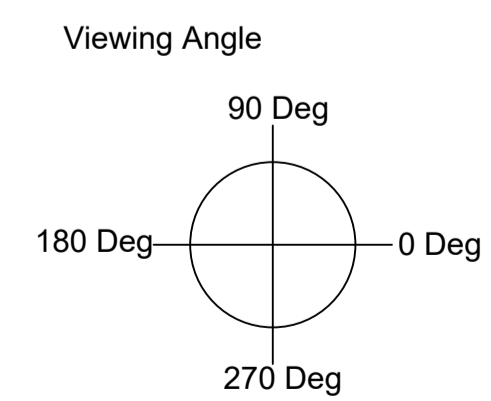
28

0E

Play Area



Label	CalcType	Units	Avg	Max	Min	Min/Avg	Min/Max
UEFA Grid 0	Illuminance	Lux	409.31	928	116	0.28	0.13
UEFA Grid 180	Illuminance	Lux	409.24	927	117	0.29	0.13
UEFA Grid 270	Illuminance	Lux	558.51	1283	235	0.42	0.18
UEFA Grid 90	Illuminance	Lux	308.65	612	43	0.14	0.07
UEFA Grid Horizontal	Illuminance	Lux	812.46	1127	605	0.74	0.54



Equipment.



Project
PETERSHILL PARK
LED UPGRADE

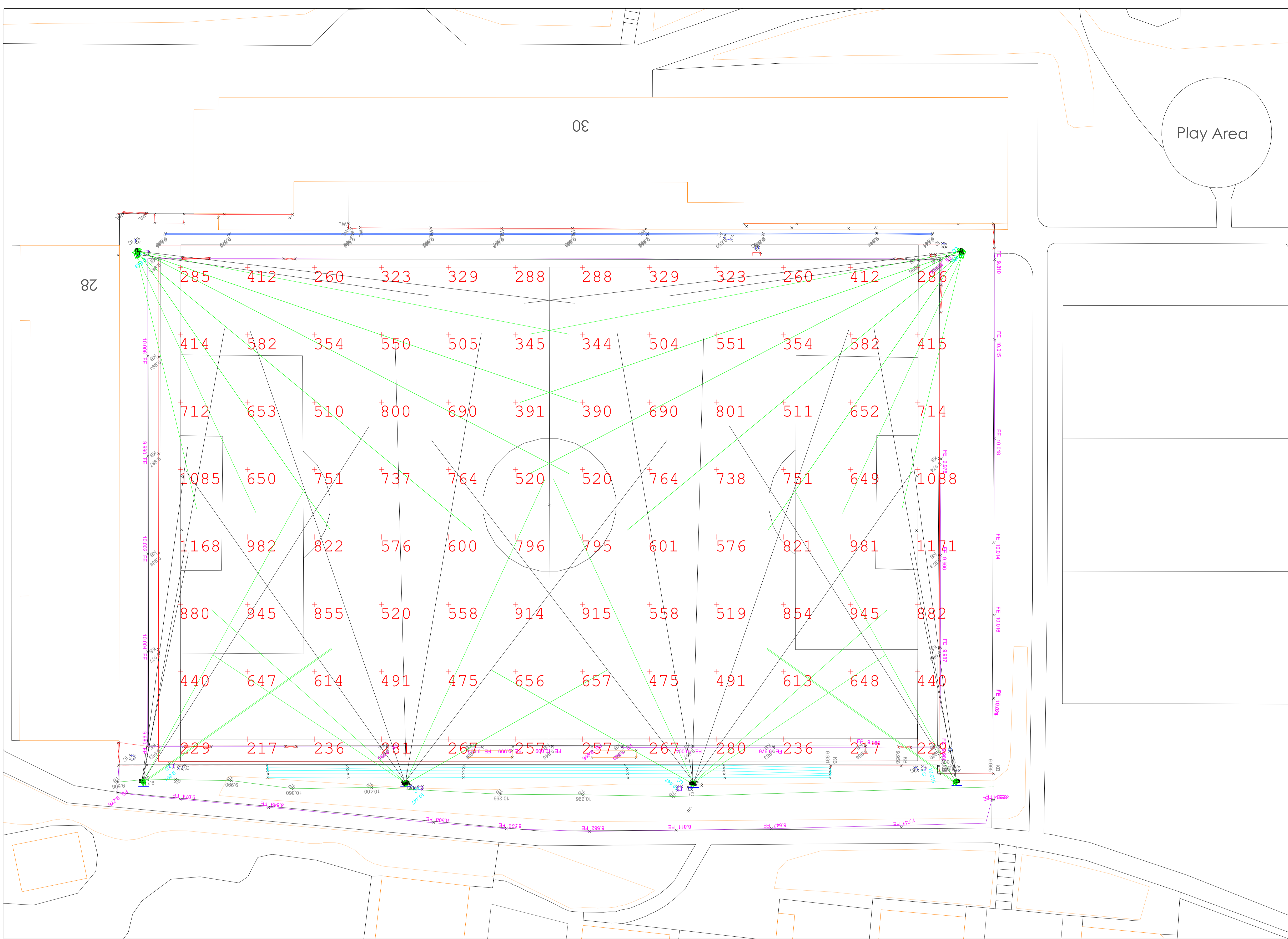
www.hallidaylighting.co.uk

Drawing Title
UEFA 180 Degrees

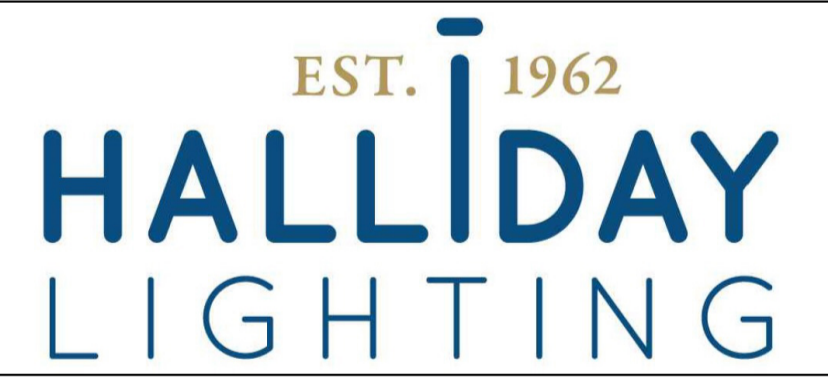
Drawn By (print) **Neil Johnson** Date **9/2/2024**

Project No **HLS6923** Scale **A1 1:250**

Drawing No **E01** Status **Proposal**



Equipment.



Project
**PETERSHILL PARK
 LED UPGRADE**

www.hallidaylighting.co.uk

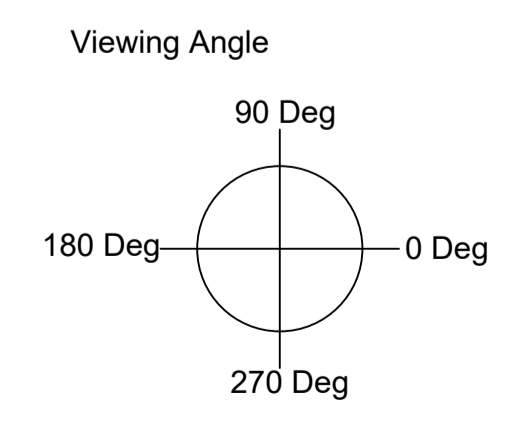
Drawing Title
UEFA 270 Degrees

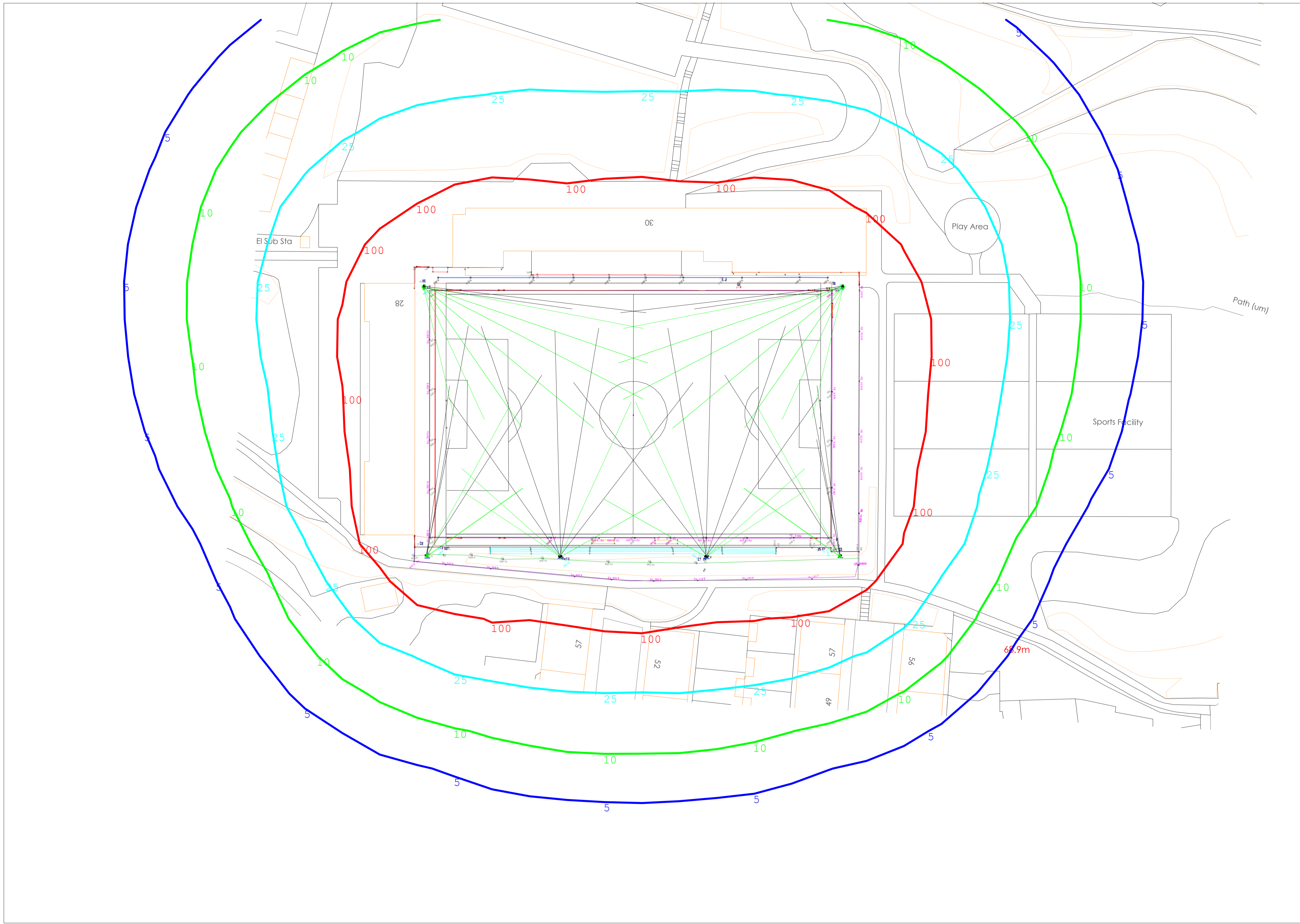
Drawn By (print) Neil Johnson	Date 9/2/2024
---	-------------------------

Project No HLS6923	Scale A1 1:250
------------------------------	--------------------------

Drawing No E01	Status Proposal
--------------------------	---------------------------

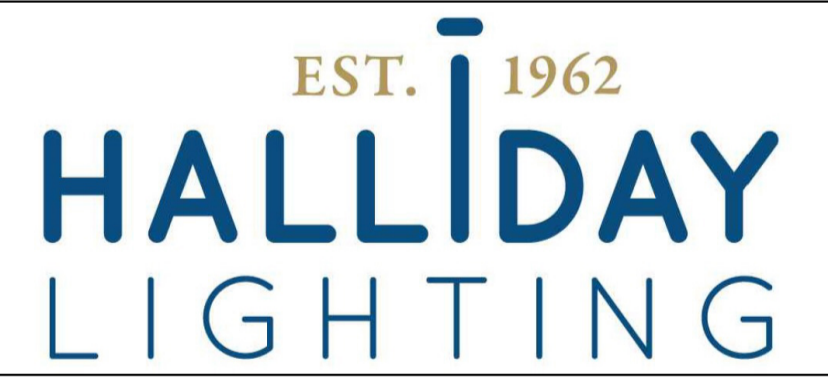
Calculation Summary							
Label	CalcType	Units	Avg	Max	Min	Min/Avg	Min/Max
UEFA Grid 0	Illuminance	Lux	409.31	928	116	0.28	0.13
UEFA Grid 180	Illuminance	Lux	409.24	927	117	0.29	0.13
UEFA Grid 270	Illuminance	Lux	558.51	1283	235	0.42	0.18
UEFA Grid 90	Illuminance	Lux	308.65	612	43	0.14	0.07
UEFA Grid Horizontal	Illuminance	Lux	812.46	1127	605	0.74	0.54





Equipment.

- Floodlighting Equipment**
 2 x 28m Masts(New)
 Each carrying the following Siteco FL11 Maxi Pro LED Floodlights :-
 M1,M2.....11 x FL11 Maxi Pro PL33T
 2 x FL11 Maxi Pro RS08
- 4 x 22m Masts(New)
 Each carrying the following Siteco FL11 Maxi Pro LED Floodlights :-
 M3,M6.....3 x FL11 Maxi Pro PL33T
 4 x FL11 Maxi Pro RS08
- M4,M5.....5 x FL11 Maxi Pro PL33T
 5 x FL11 Maxi Pro RS08



Project
**PETERSHILL PARK
 LED UPGRADE**

www.hallidaylighting.co.uk

Drawing Title
Lighting Spill

Drawn By (print) Neil Johnson	Date 9/2/2024
---	-------------------------

Project No HLS6923	Scale A1 1:250
------------------------------	--------------------------

Drawing No E01	Status Proposal
--------------------------	---------------------------

Luminaire Schedule							
Symbol	Qty	Label	Description	LLF	Luminaire Lumens	Luminaire Watts	Total Watts
■	38	FL11 Maxi Pro PL33T	5700K CR180 Ta10	0.900	216896	1540	58531
□	22	FL11 Maxi Pro RS08	5700K CR180 Ta10	0.900	155329	1388	30536