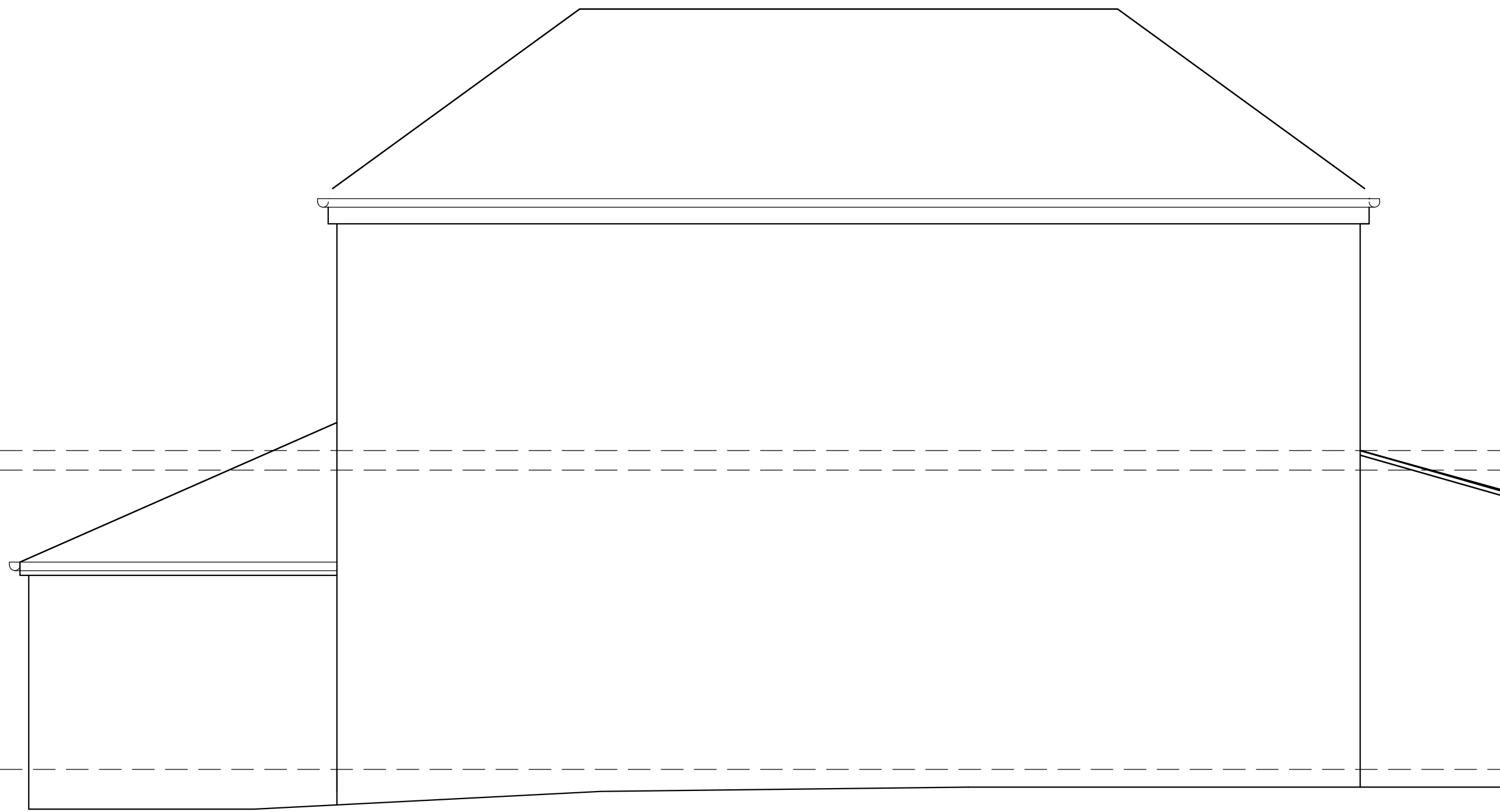


Notes
Do not scale from this drawing. All dimensions to be checked on site prior to construction and any discrepancies reported to the Architect.
Copyright reserved.



Revisions

Status
PLANNING

Client
Paul Maginnis

Project
**4 Devonshire Gardens Lane
Glasgow
G12 9XH**

Title
**Rear Elevation
As Existing**

Scale	Size	Date	Drawn	Checked
1:50	A3	MAR 24	FH	SA



Allison Architecture
13 Royal Crescent
Glasgow G3 7SL
t: +44 (0)141 353 1082
e: hello@allisonarchitecture.co.uk
www.allisonarchitecture.co.uk

Rear Elevation as Existing



Project No.	Drawing No.	Rev.
23054	01-008	-