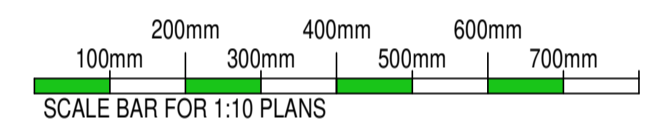


Replacement Window
east elevation

New Porch Door south elevation

New Back Door west elevation

New Arch Opening Windows/Doors east elevation



E			
D			
C			
B			
A			
✓	08/02/24	AB	1st Draft
REV	DATE	BY	DESCRIPTION OF CHANGES

Plan Prepared By:
Andrew Baxter - Rich Dixon

Richard Dixon Associates Ltd
Architectural, Surveying & Engineering Services

cabe
Chartered Association of Building Engineers

Richard Dixon FRICS C. Build E. FCABE
Chartered Building Surveyor & Chartered Building Engineer

SOUTHLANDS
73 Cardigan Road
BRIDLINGTON
East Yorkshire
YO15 3JU

RICS

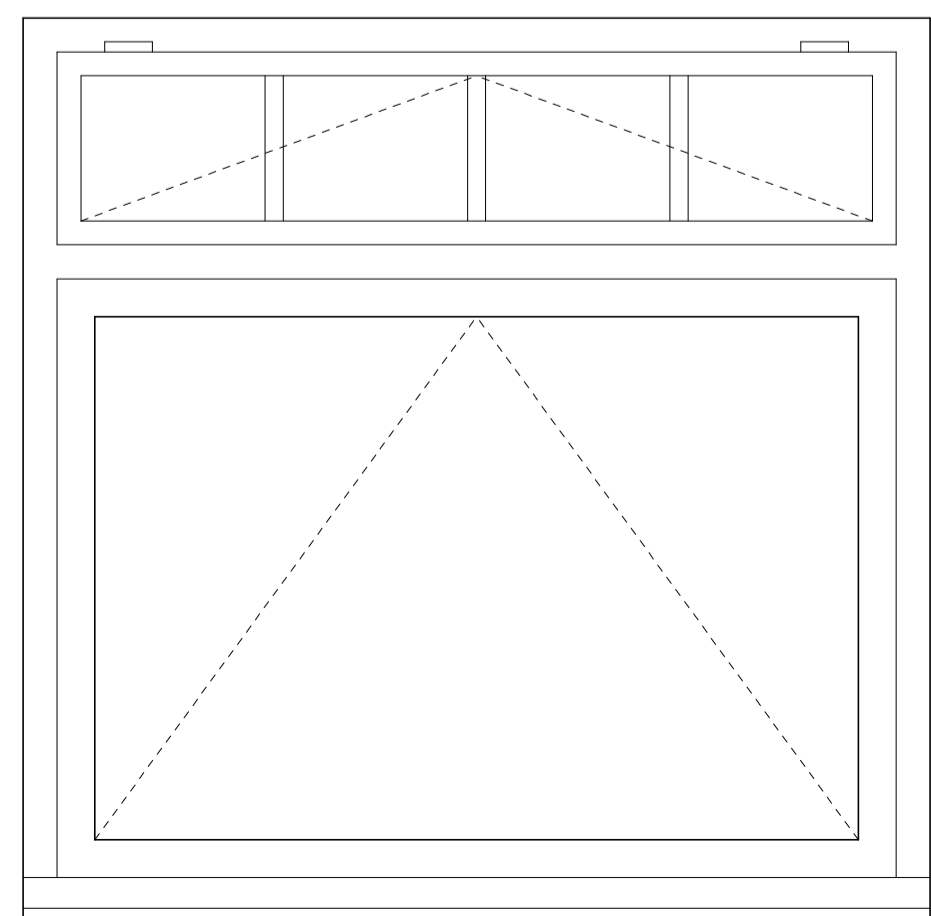
COPYRIGHT
Mobile: 07944 573 811
Telephone: 01202 469 501
Email: RD@RichardDixon.co.uk

Client
Mr B. Cunningham

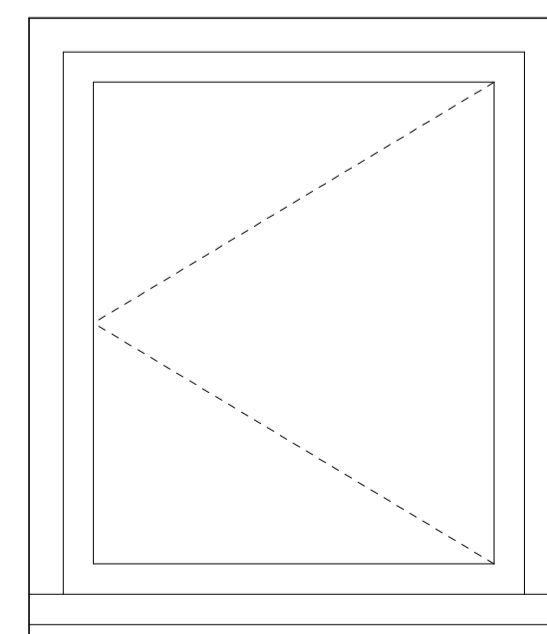
Location
**Orchard Farm
Main Street
Great Kelk
YO25 8HN**

Drawing Title
Proposed Joinery Details

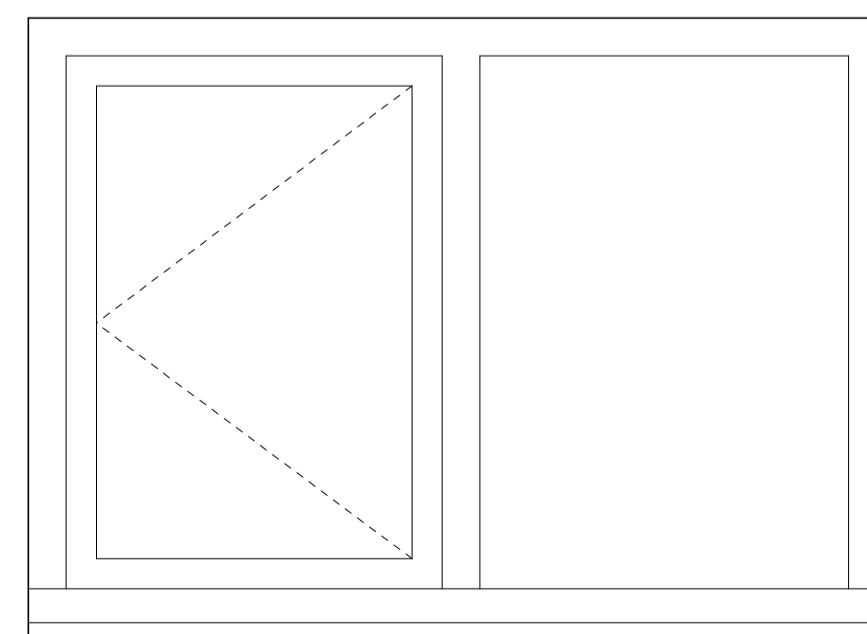
4 New Windows to north elevation
north elevation



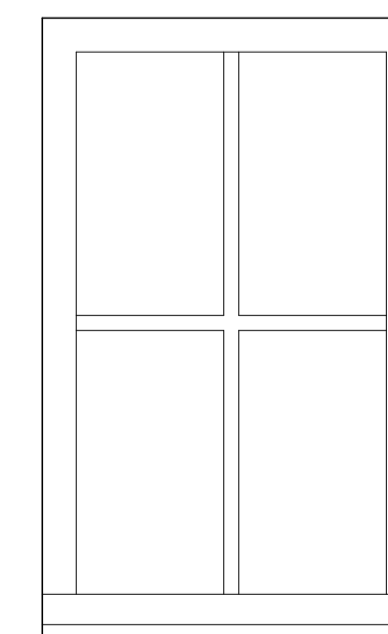
Replacement Window
east elevation



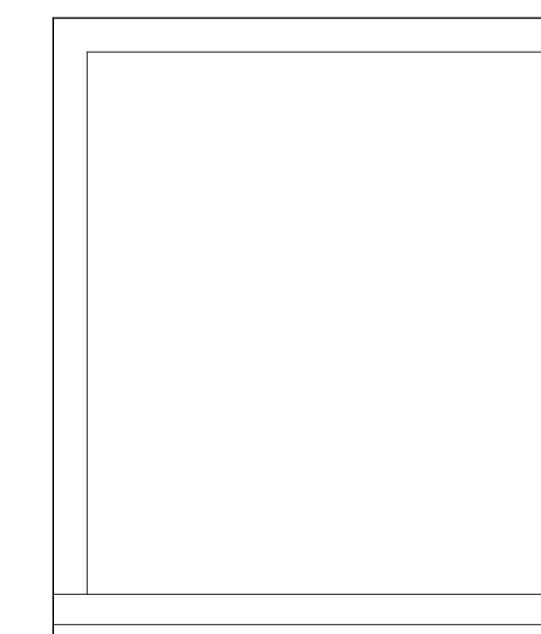
Replacement Window
east elevation



Replacement Window
west elevation



Replacement Window
west elevation



Obscure glazed non-opening windows

Client	P.D.	J.P.	P.P.	D.R.	Builder	Other	Date
Job No.	Drawing No.		Revision				
2012D	170		-				