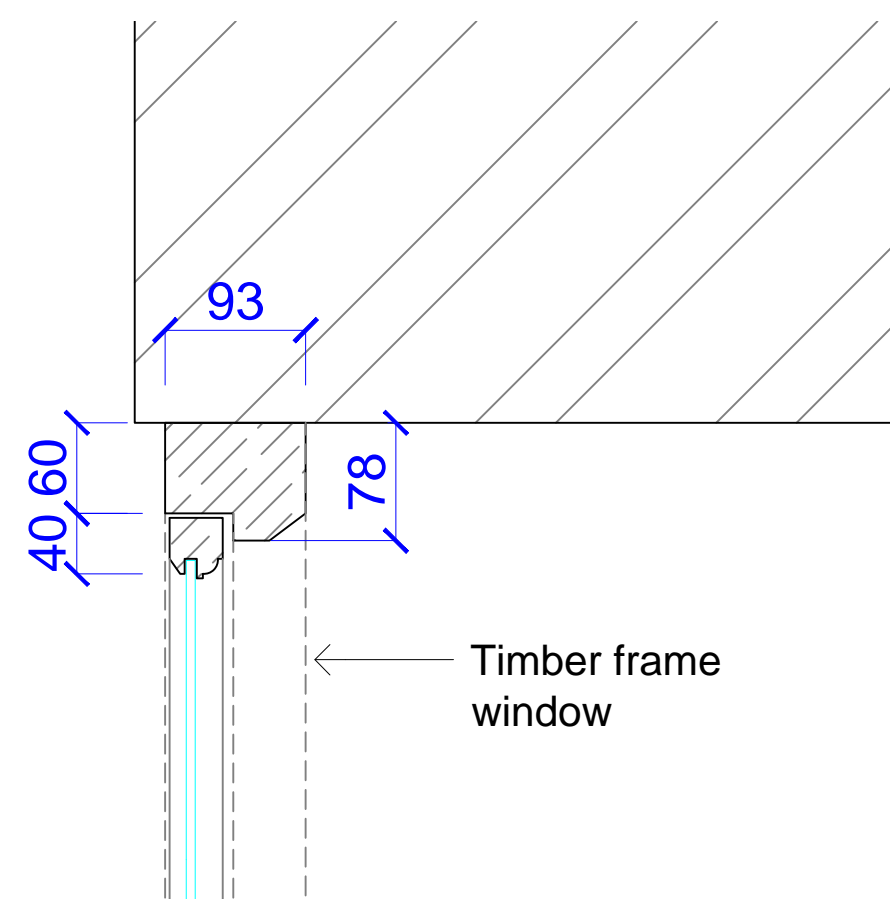
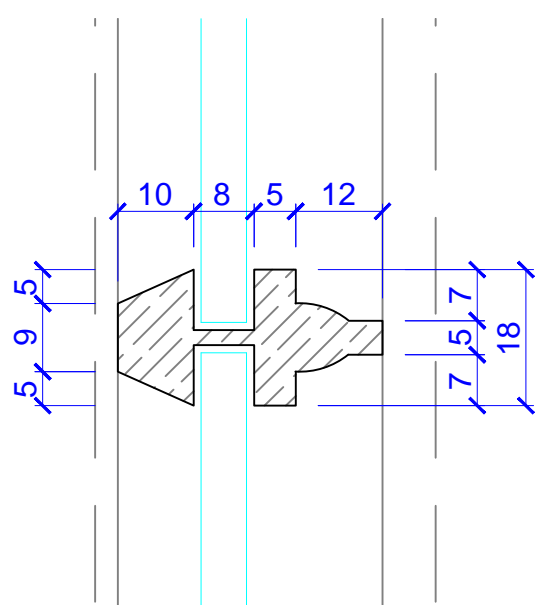


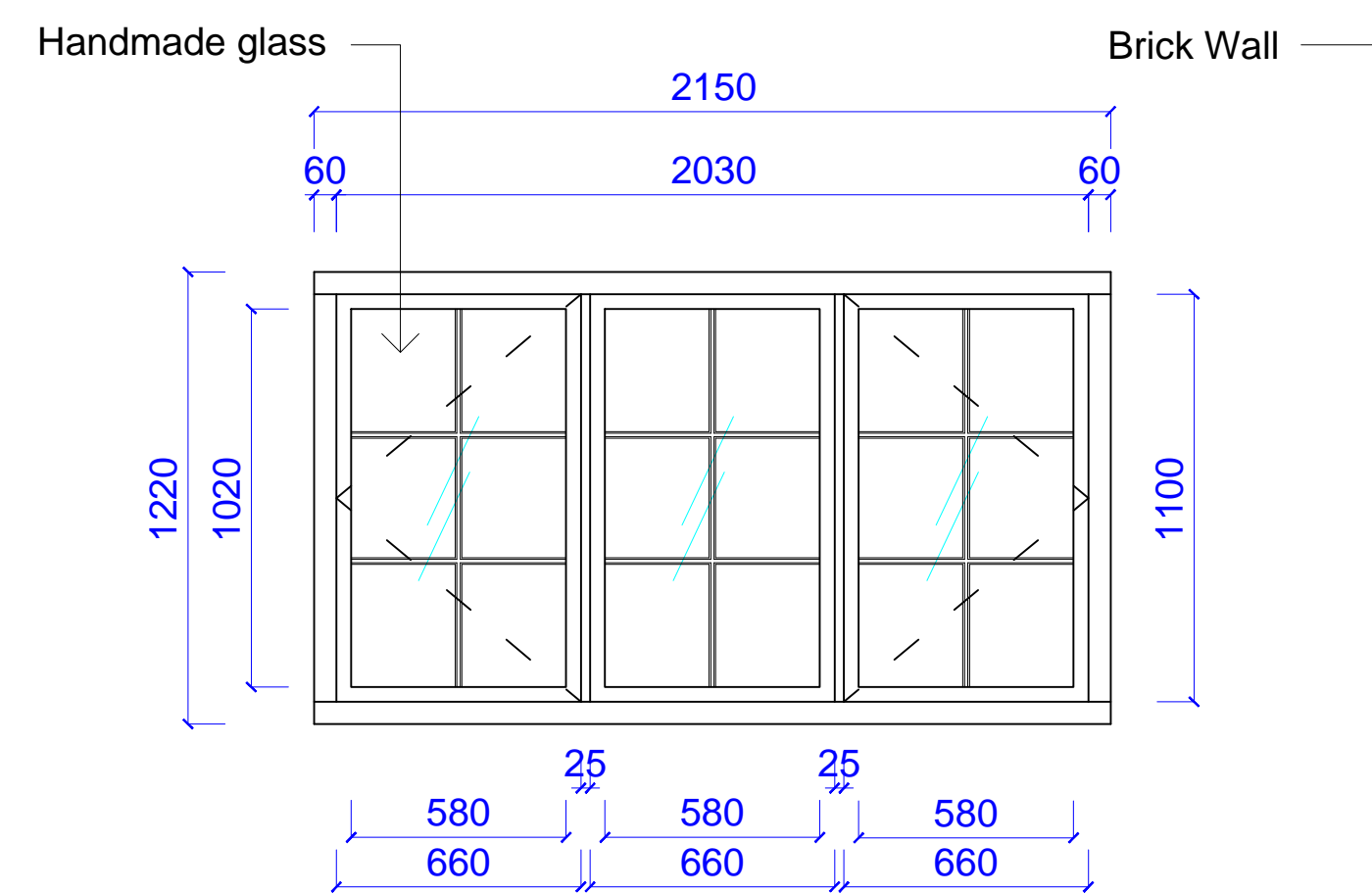
W1 Northwest Barn Window 1:20



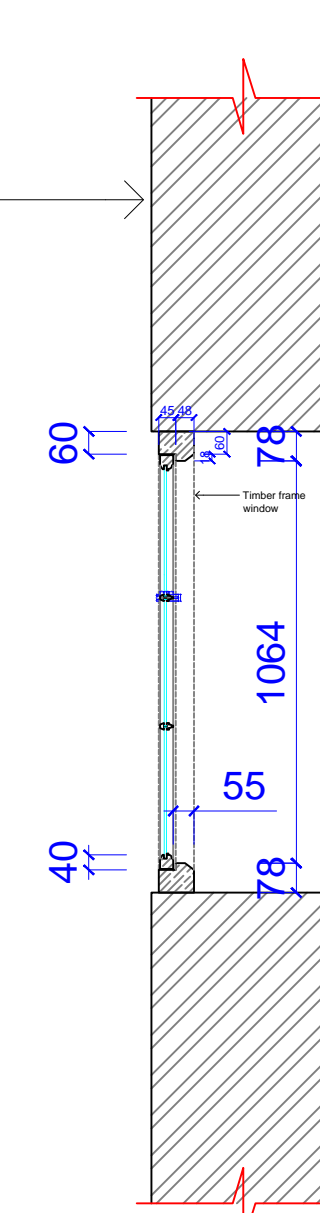
W1 Section 1:5



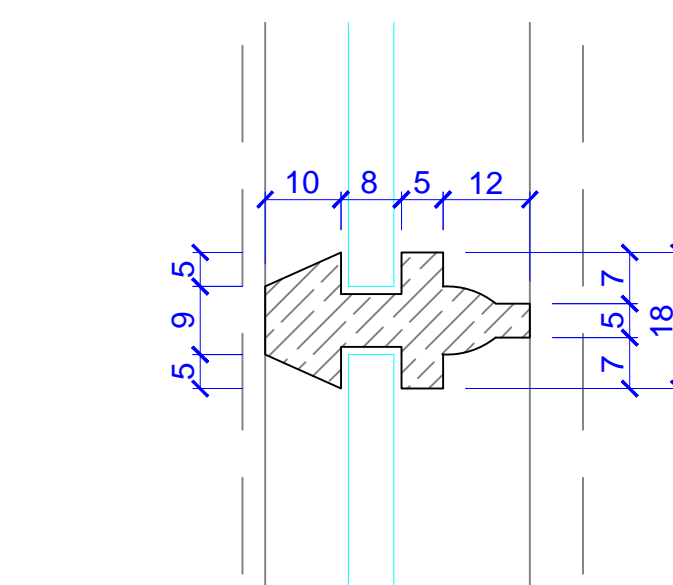
W1 Glazing Bar 1:1



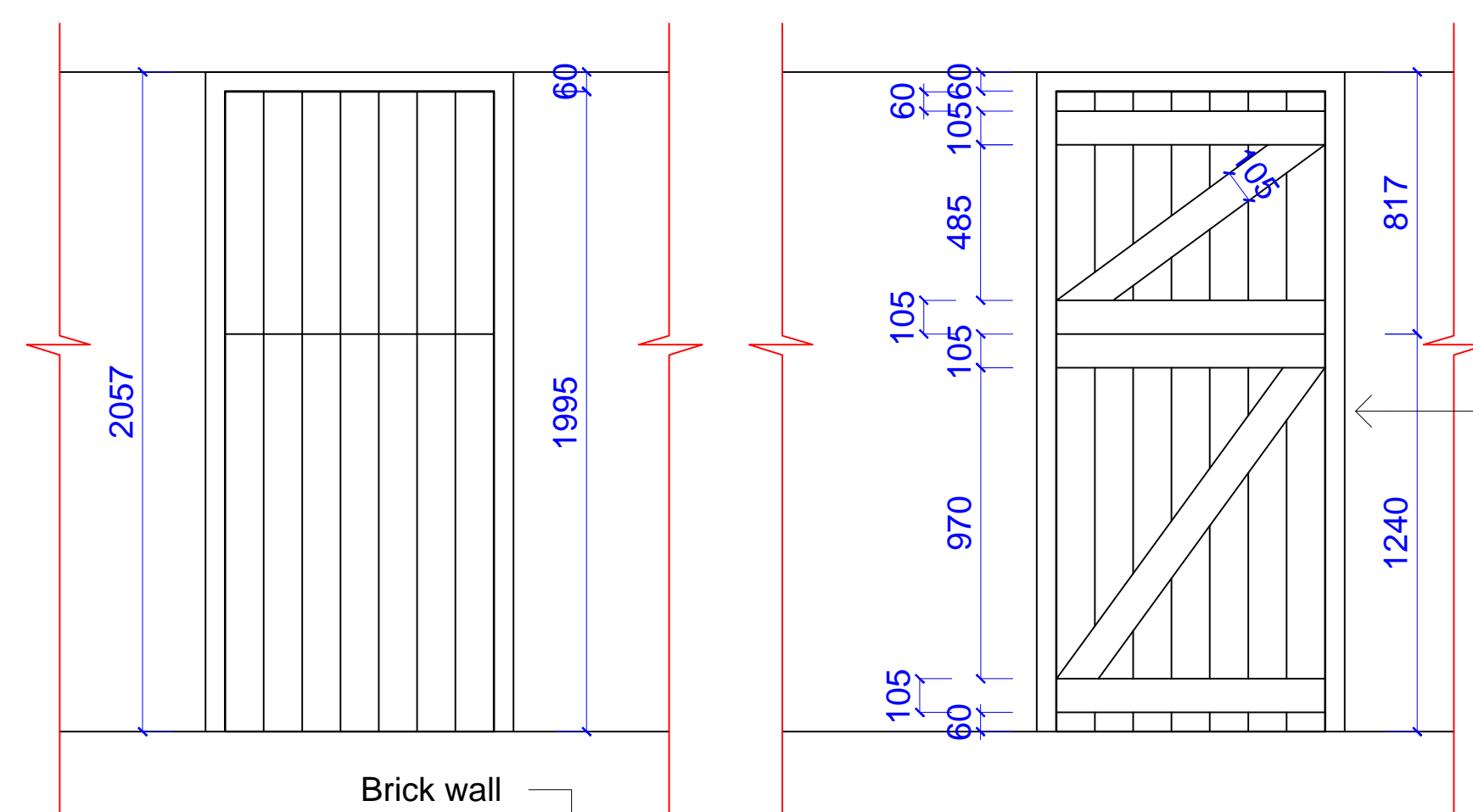
W2 Northwest Barn Window 1:20



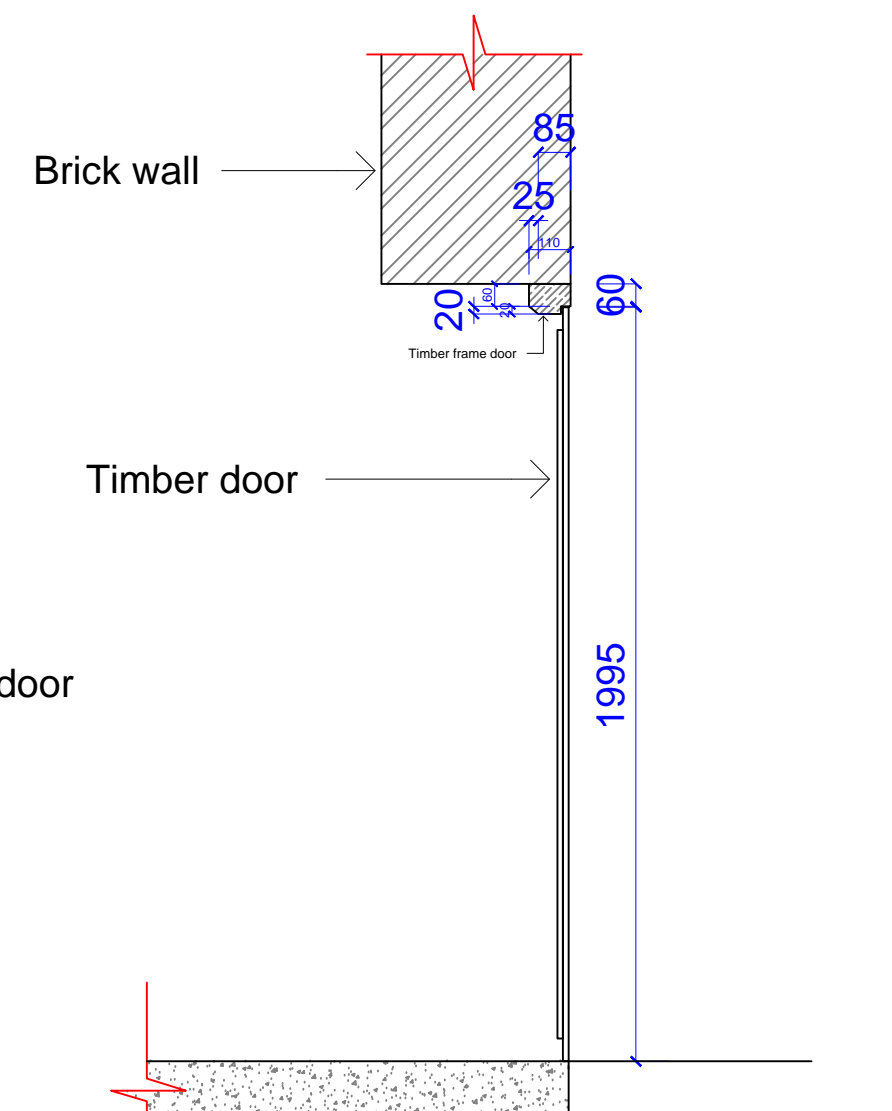
W2 Section 1:5



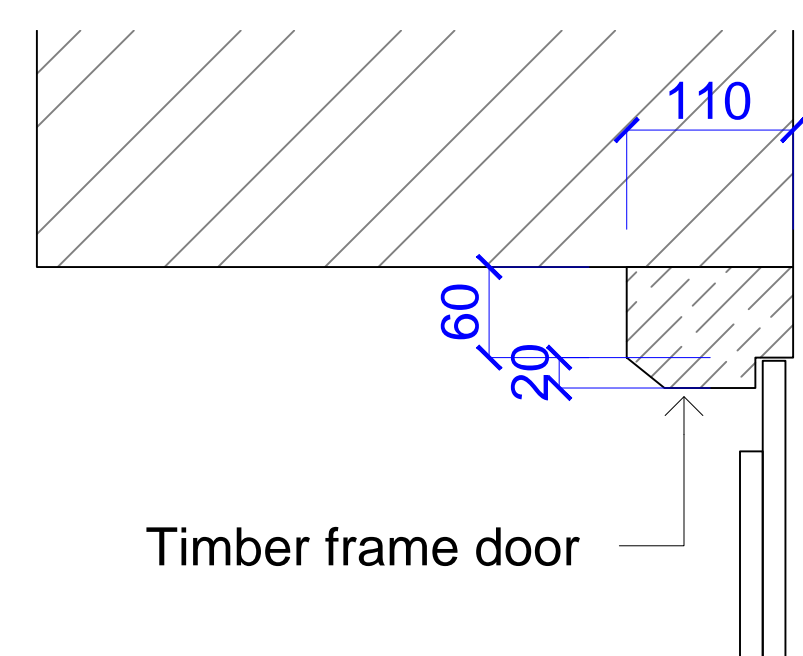
W2 Section 1:1



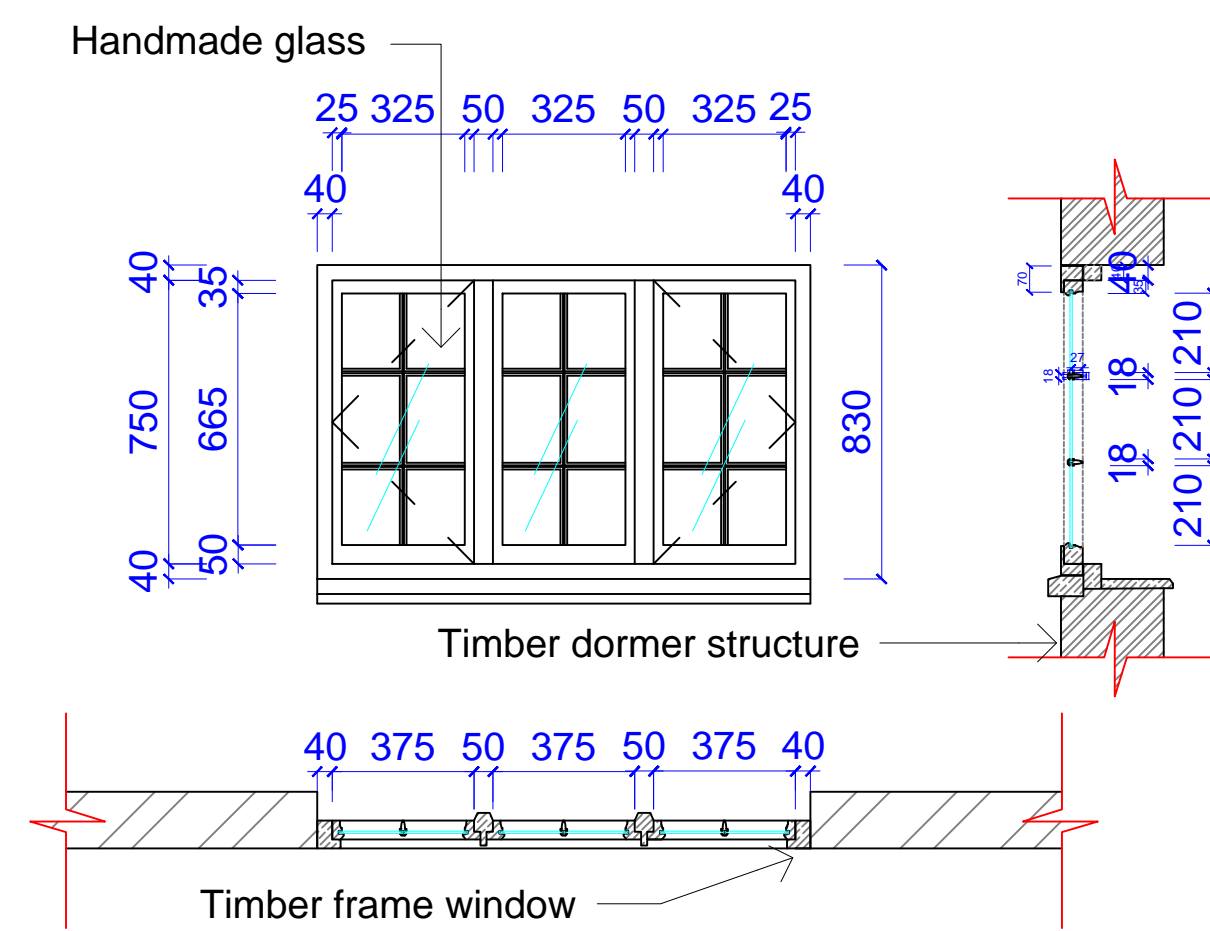
W3 Northwest Barn Door 1:20



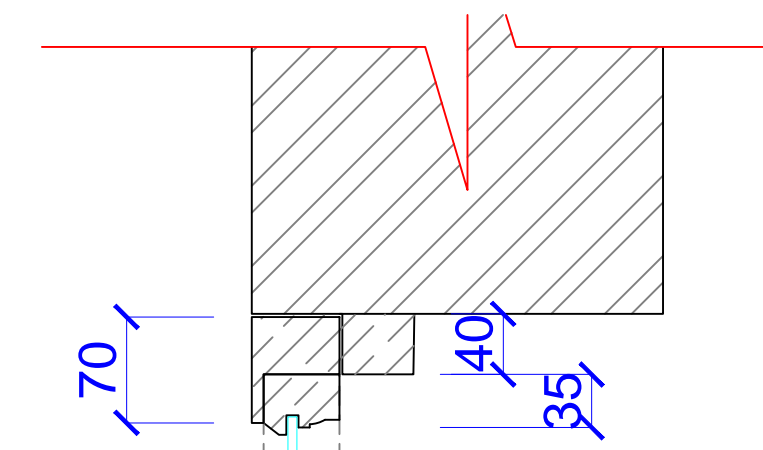
W3 Section 1:5



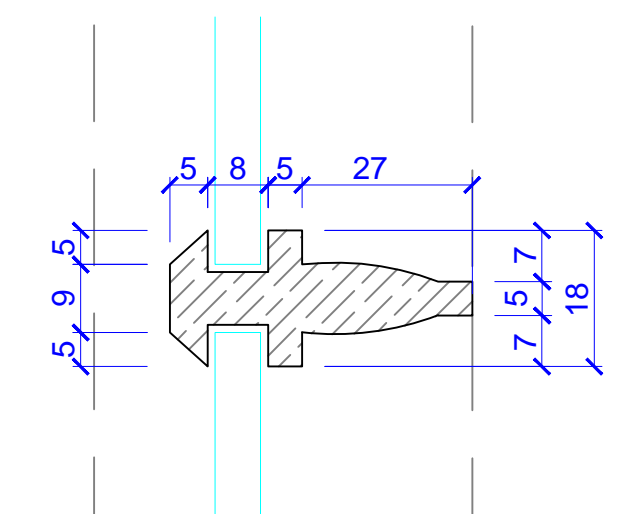
Timber frame door



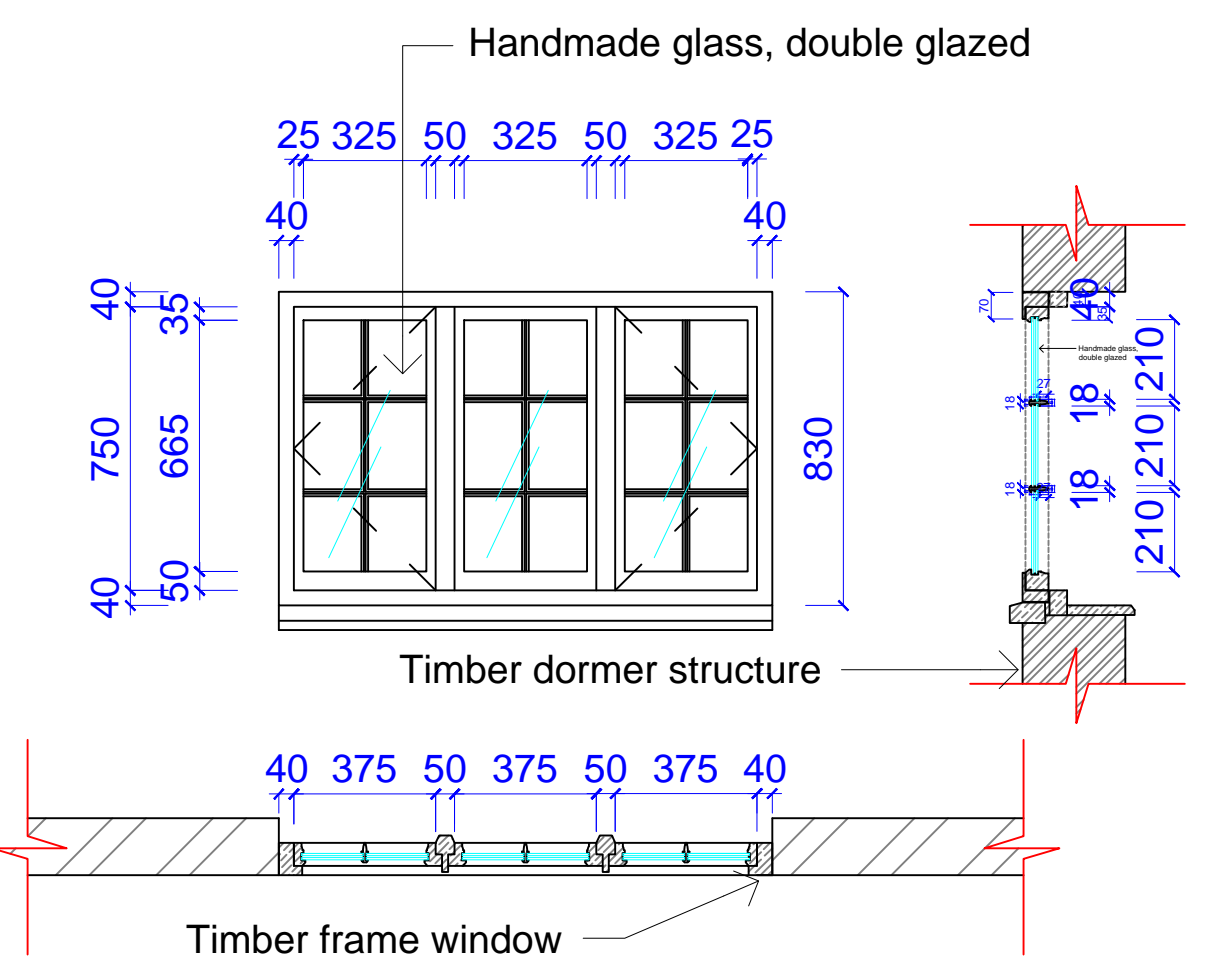
W4 Front Dormer 1:20



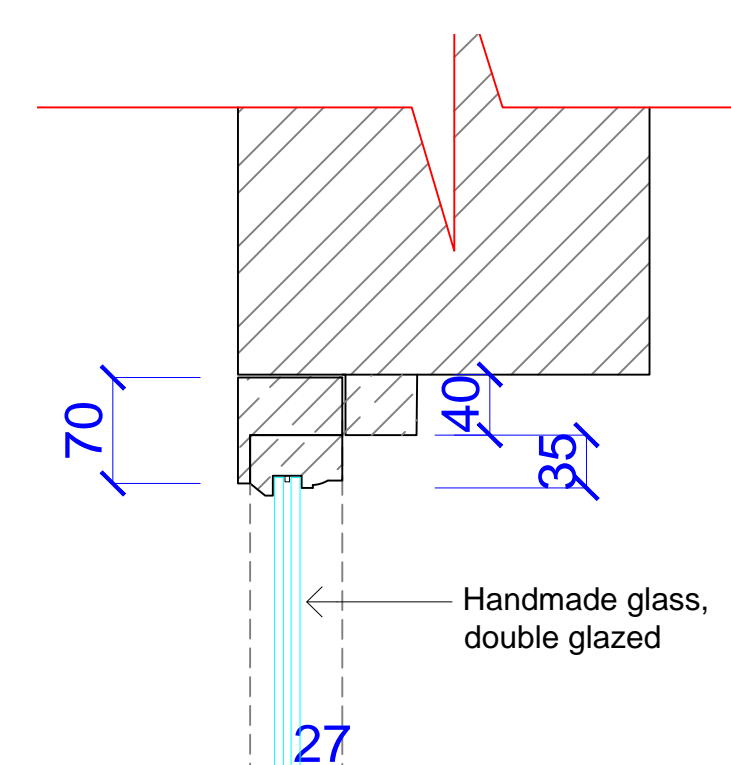
W4 Section 1:5



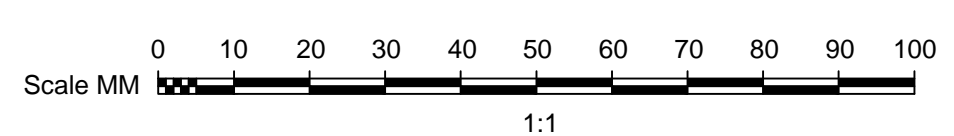
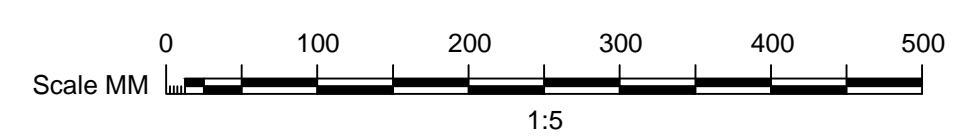
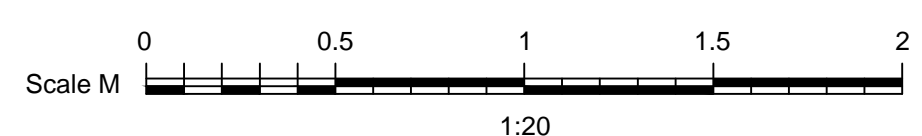
W4 Glazing Bar 1:1



W5 Rear Dormer 1:20  
New window to match W4, except double glazed



W5 Section 1:5



Contractor to check all dimensions on site prior to starting on site. This drawing is the copyright of Swordsman Historic Architectural Design and must not be used in conjunction with any other project without the express written consent of Swordsman Historic Architectural Design.

PROJECT  
Bracken Cottage,  
63 High Street,  
Sandlake,  
Oxfordshire  
OX29 7RH

DRAWING TITLE  
Proposed Window and  
Door Schedule

SCALE 1:20-1:5 @ A1  
DATE 07-04-2024  
DRAWN SP

DRAWING NUMBER  
S225-010  
REV

Original size 100mm @ A1

SWORDSMAN  
HISTORIC  
ARCHITECTURAL  
DESIGN  
*'The Design & Restoration  
of Historic Buildings'*