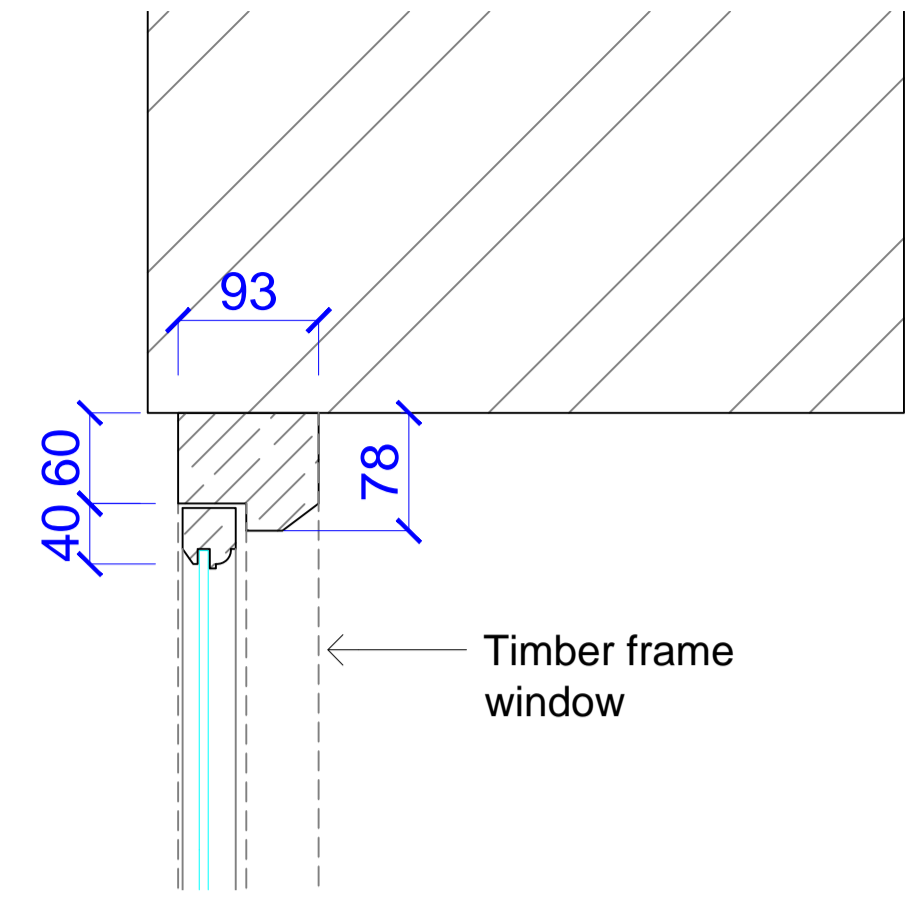
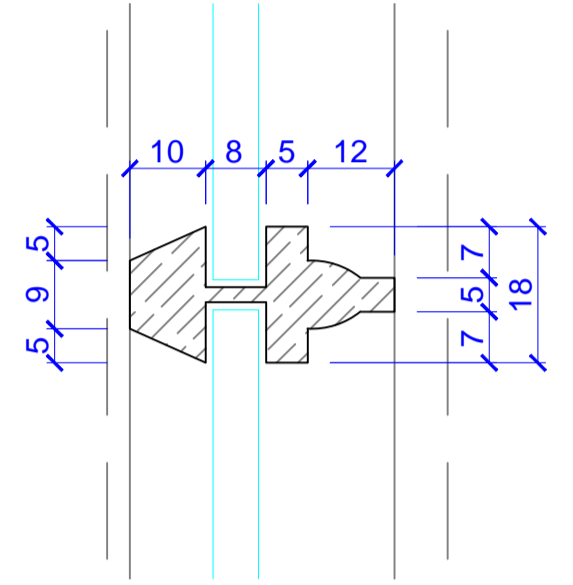


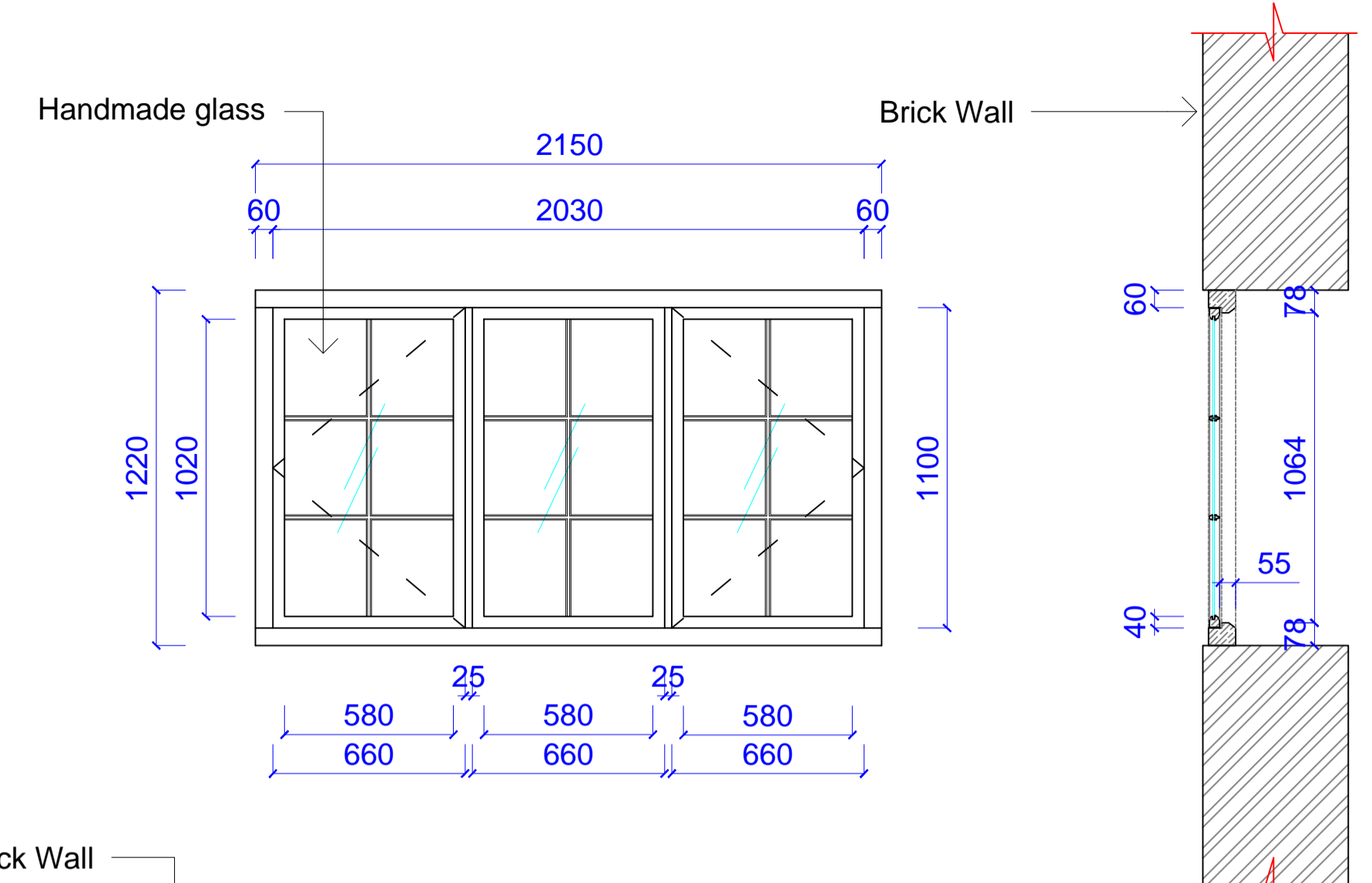
W1 Northwest Barn Window 1:20



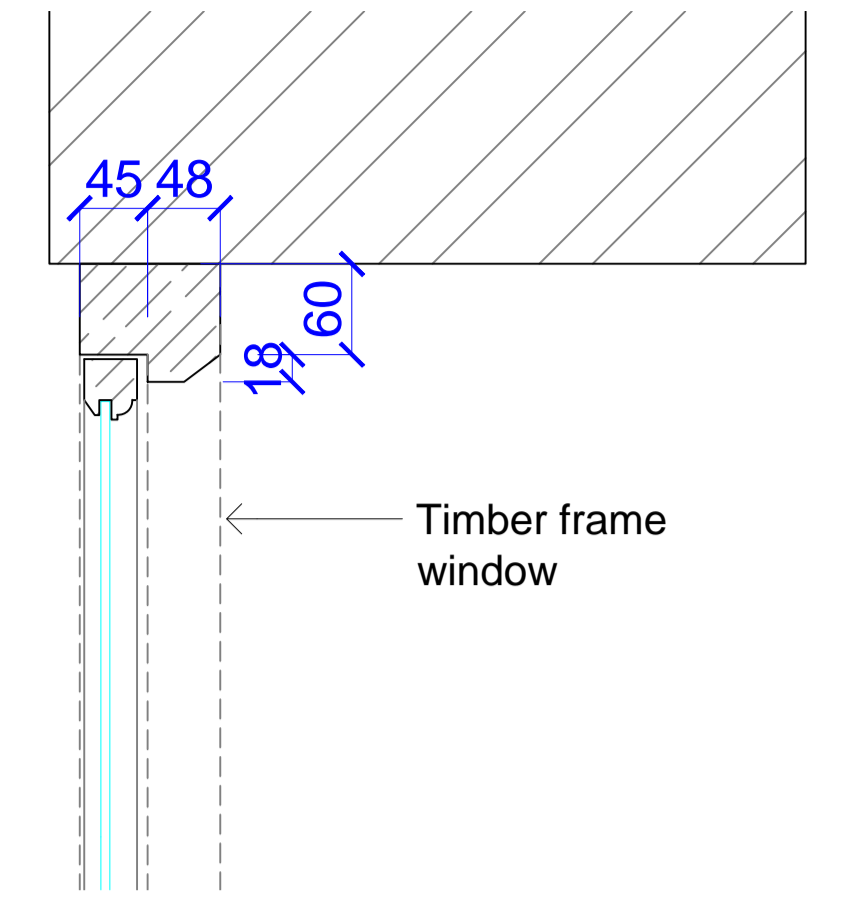
W1 Section 1:5



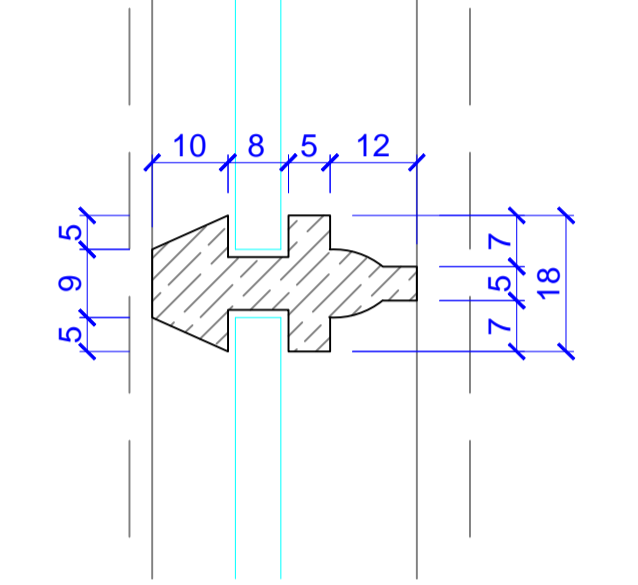
W1 Glazing Bar 1:1



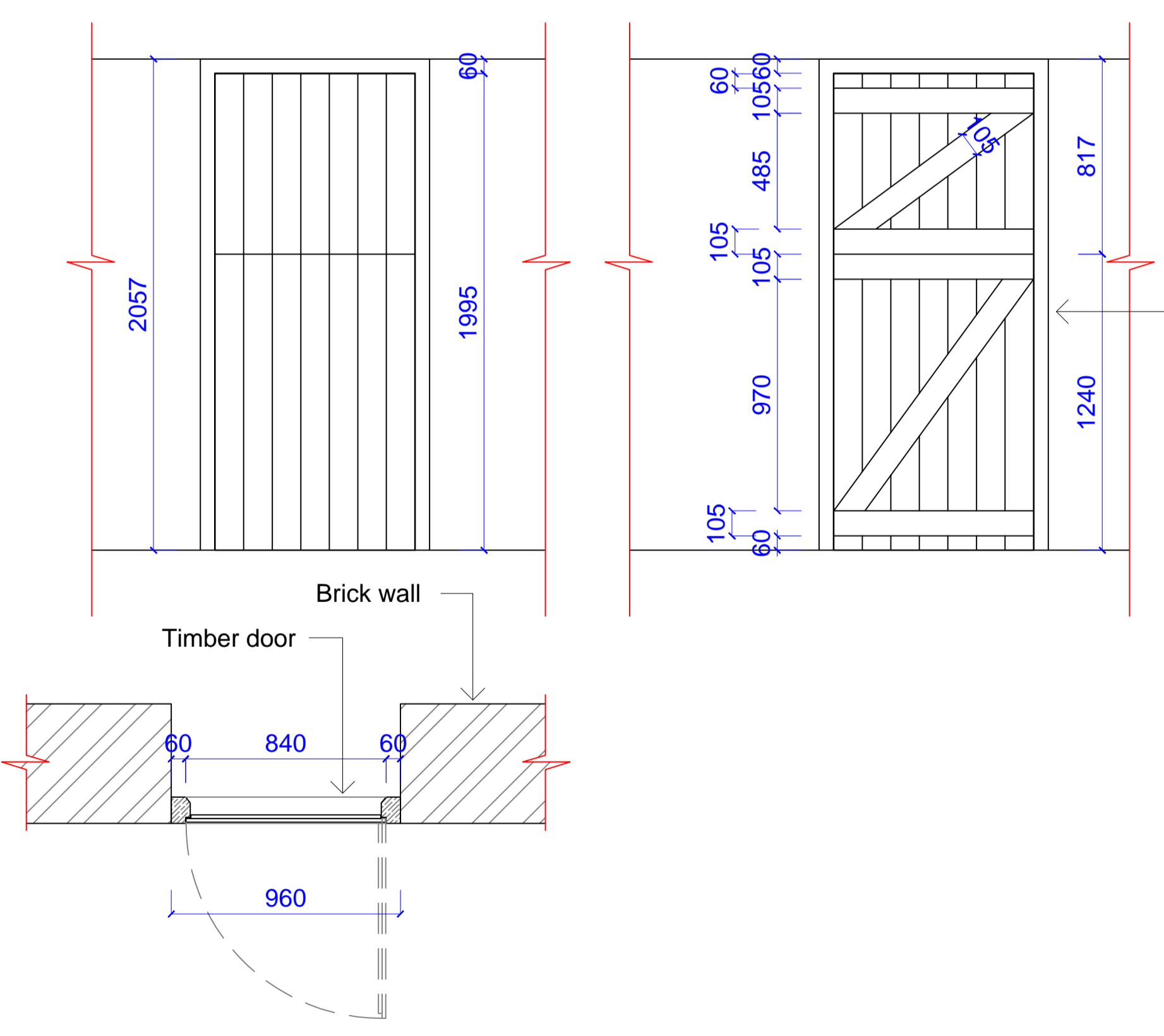
W2 Northwest Barn Window 1:20



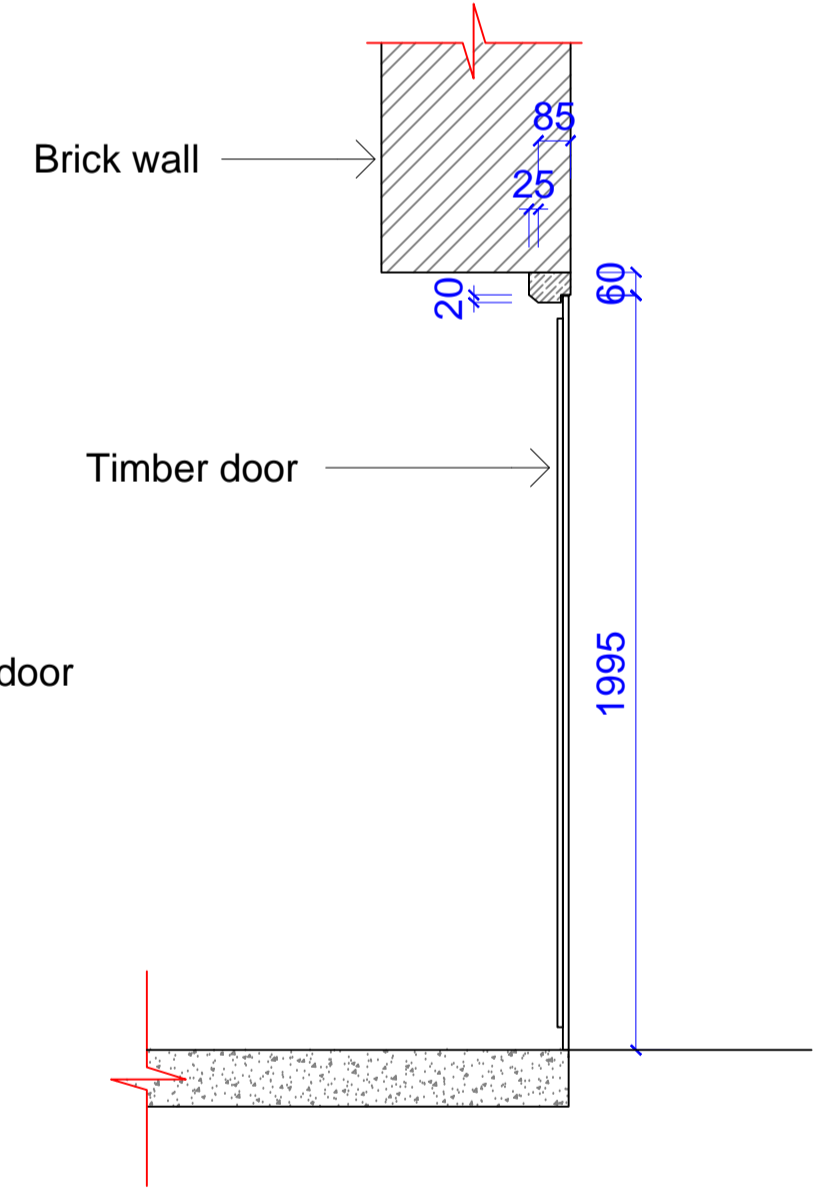
W2 Section 1:5



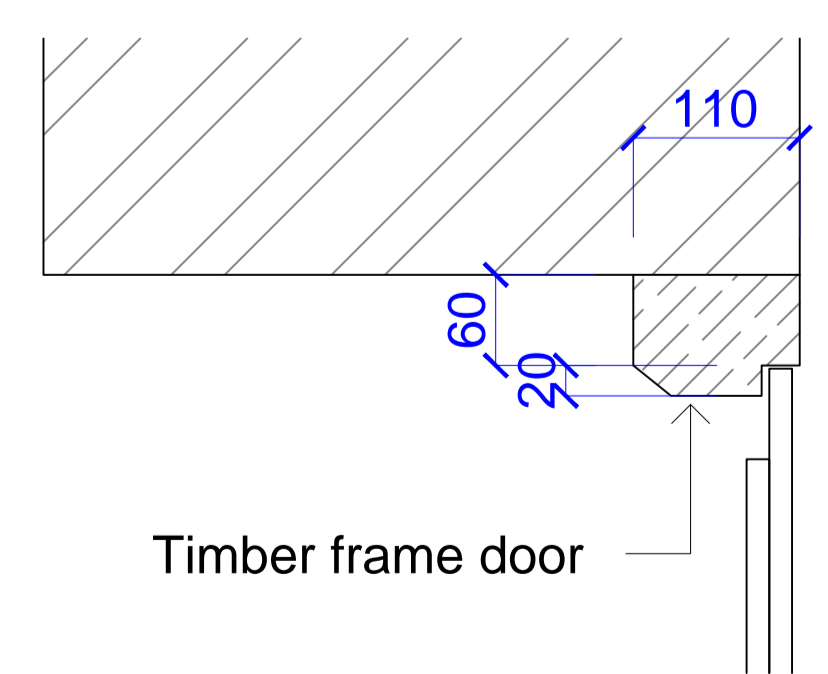
W2 Section 1:1



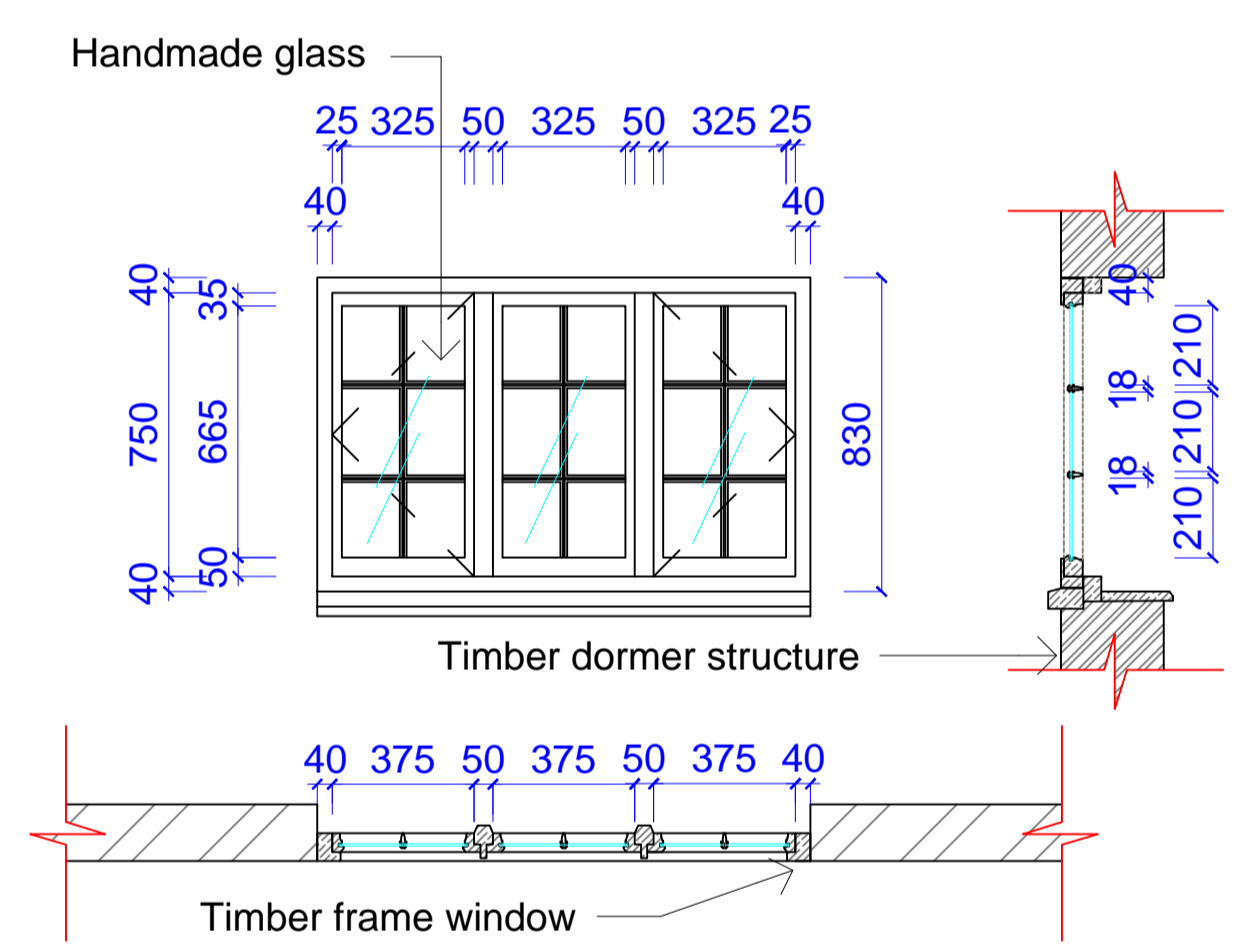
W3 Northwest Barn Door 1:20



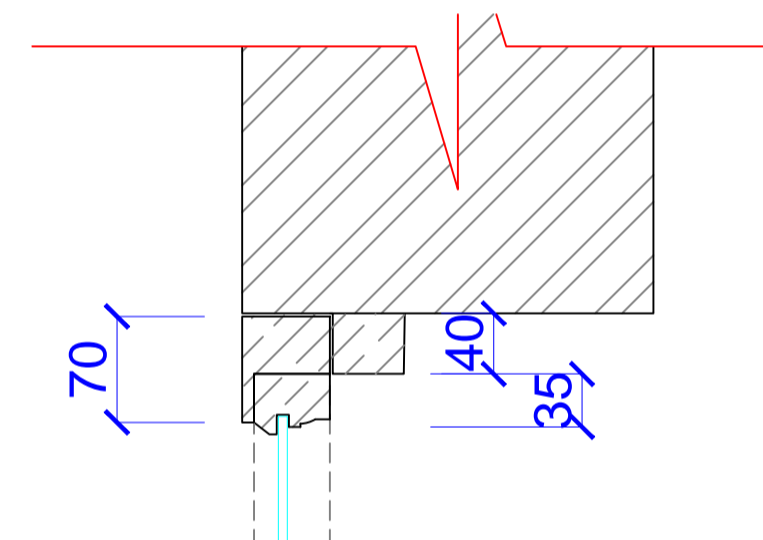
W3 Section 1:5



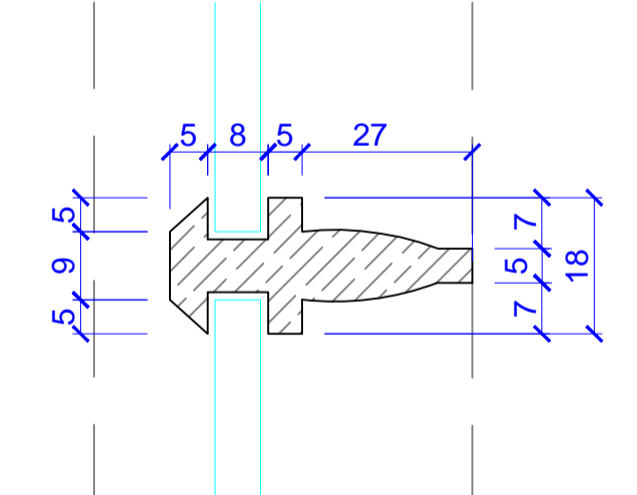
Timber frame door



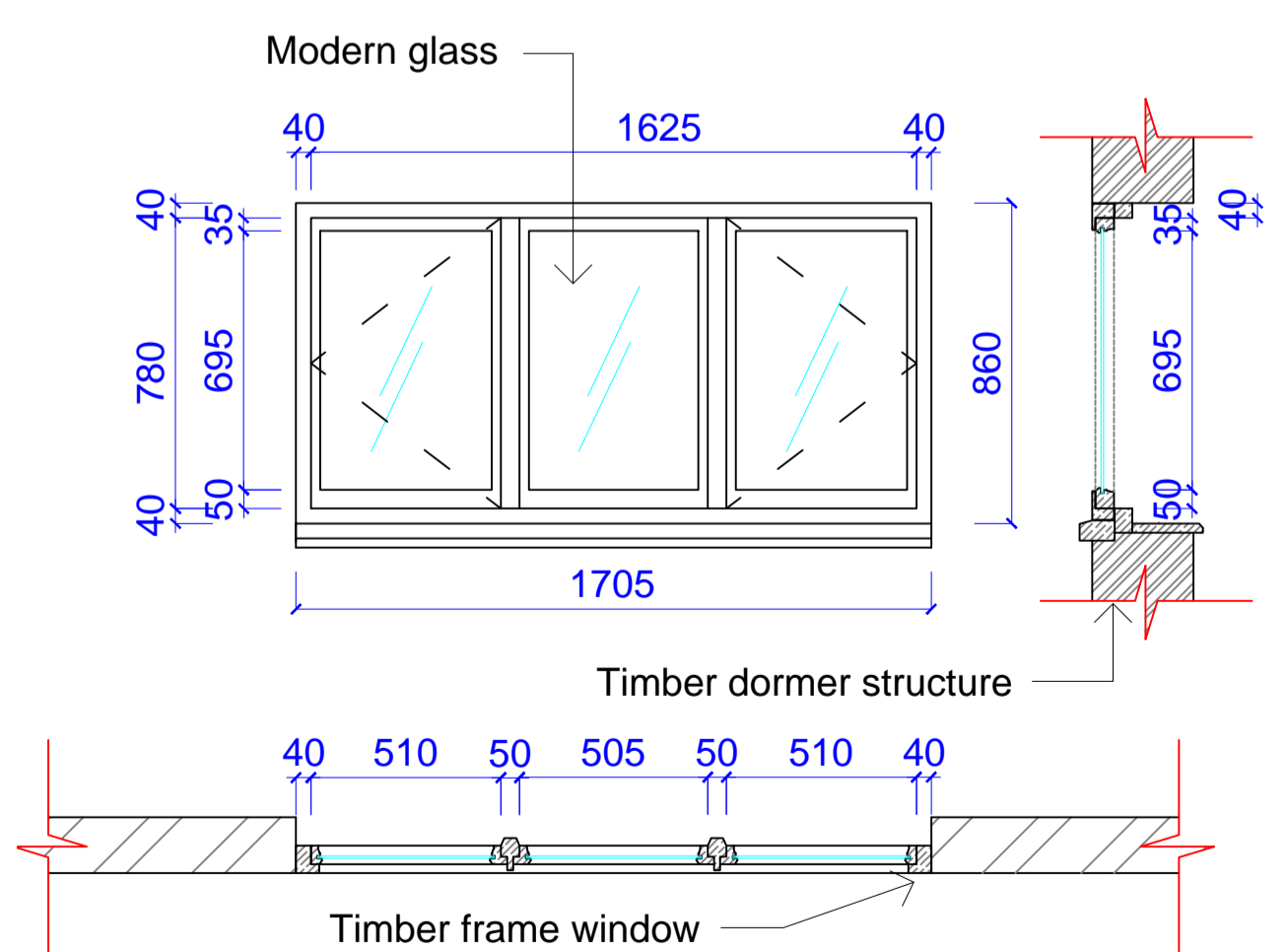
W4 Front Dormer 1:20



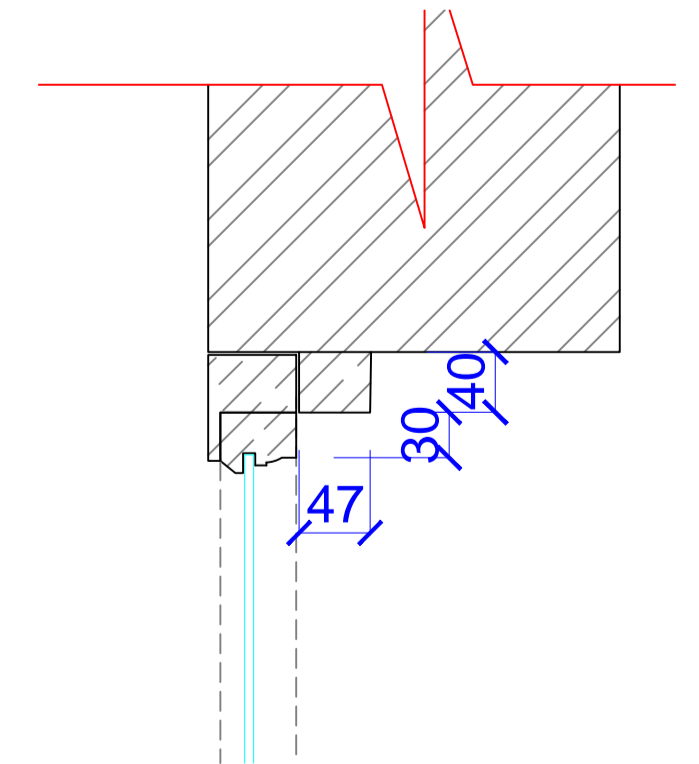
W4 Section 1:5



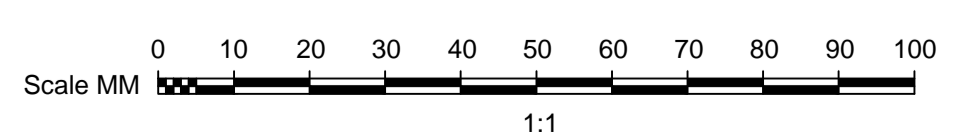
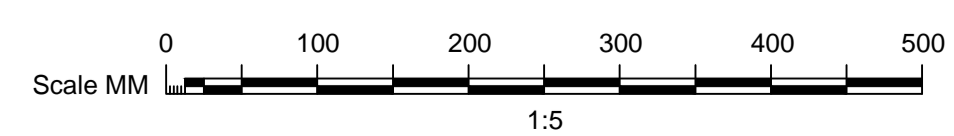
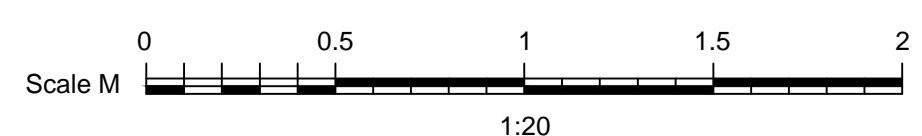
W4 Glazing Bar 1:1



W5 Rear Dormer 1:20



W5 Section 1:5



Contractor to check all dimensions on site prior to starting on site. This drawing is the copyright of Swordsman Historic Architectural Design and must not be used in conjunction with any other project without the express written consent of Swordsman Historic Architectural Design.

PROJECT
Bracken Cottage,
 63 High Street,
 Sandlake,
 Oxfordshire
 OX29 7RH

DRAWING TITLE
**Existing Window and
 Door Schedule**

SCALE 1:20-1:5 @ A1
 DATE 07-04-2024
 DRAWN SP

DRAWING NUMBER
S225-009

REV

Original size 100mm @ A1

SWORDSMAN
 HISTORIC
 ARCHITECTURAL
 DESIGN
*'The Design & Restoration
 of Historic Buildings'*