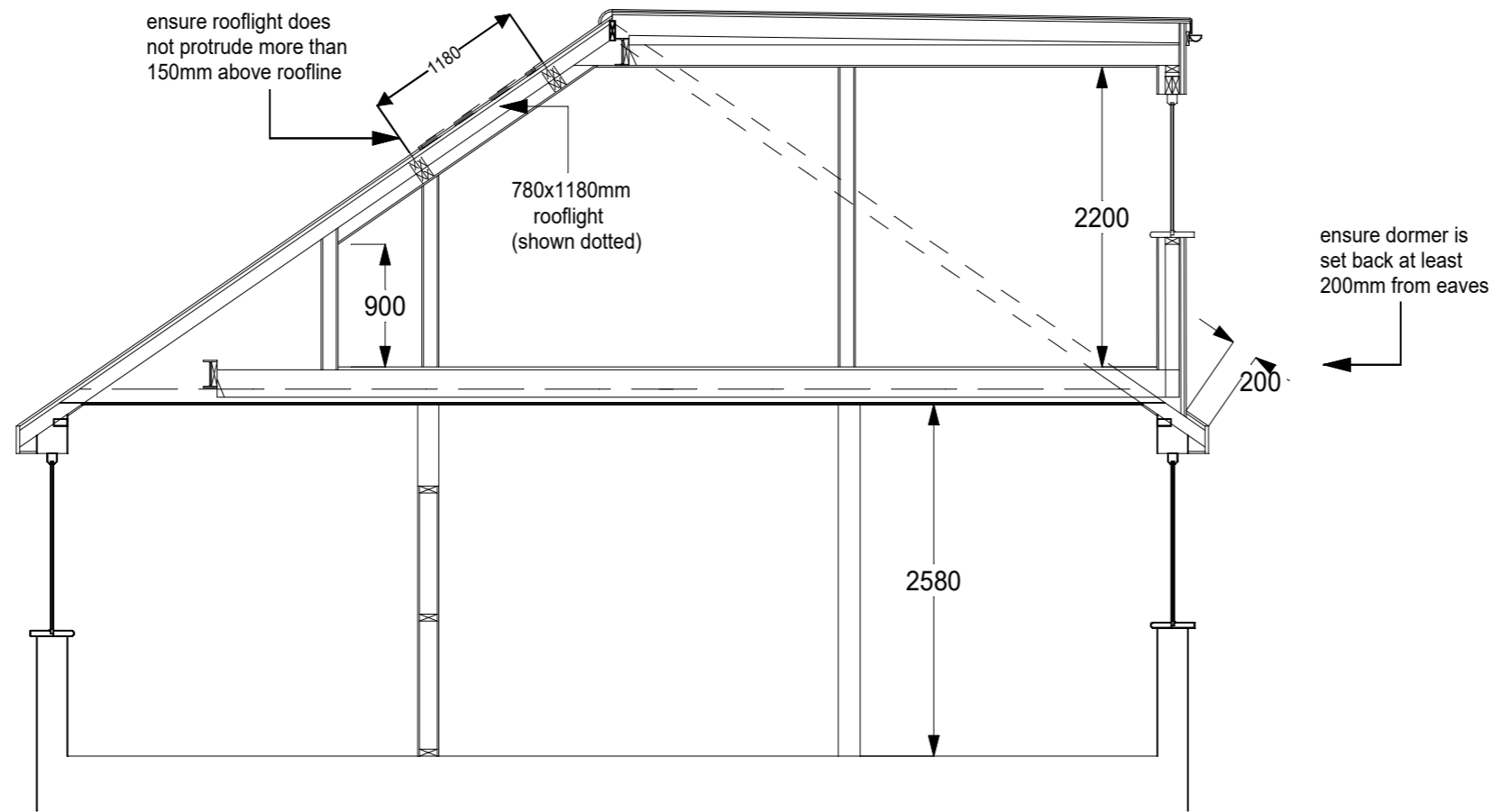
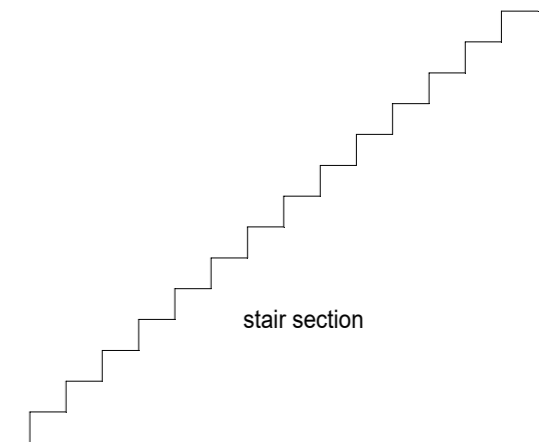


BUILDING PLANS

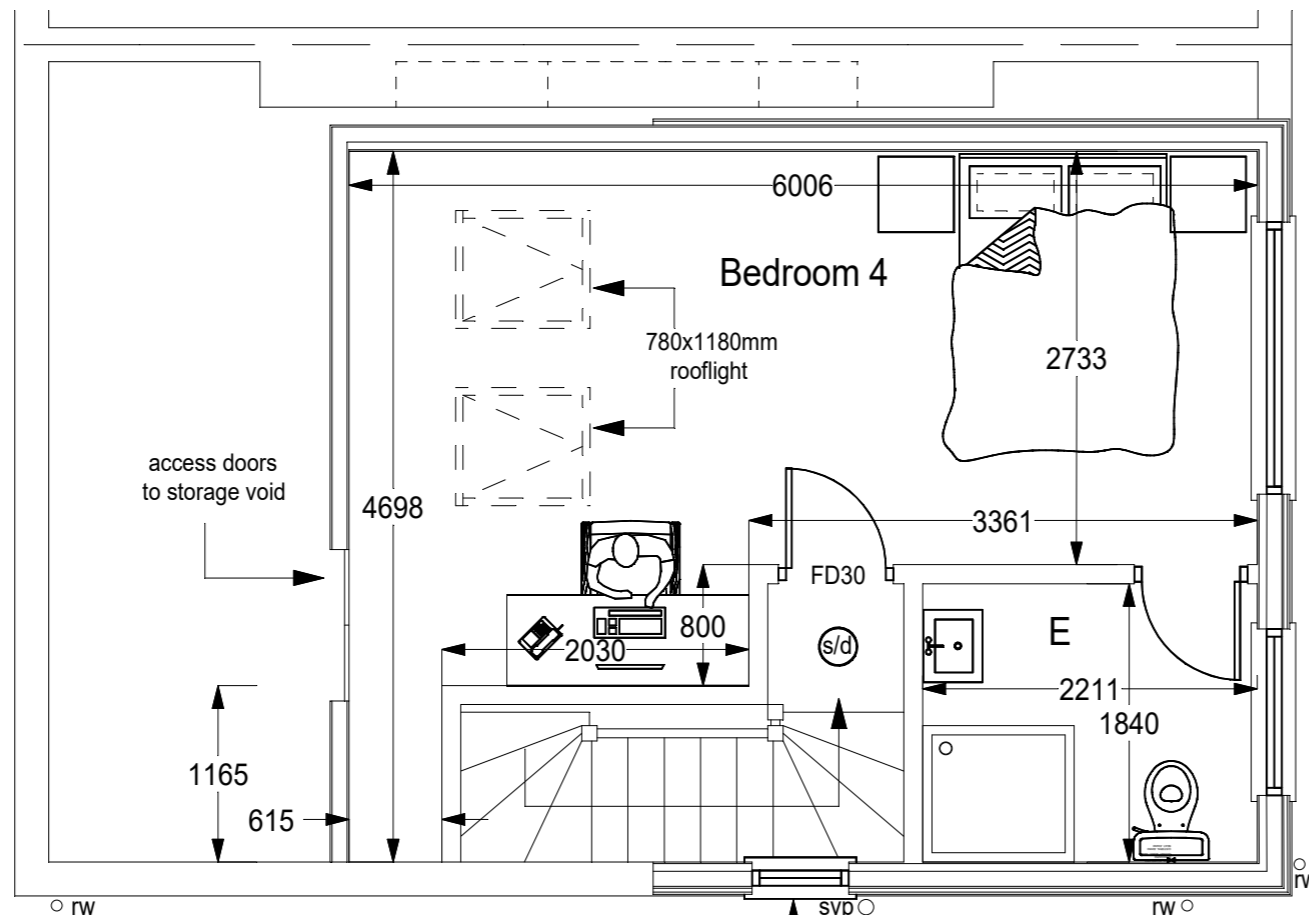
Tel 020 8330 4646
 This drawing is for negotiations with the Local Authority Planning & Building Control departments. In the event that it is used for construction then the builder is responsible for checking on site all dimensions and relevant information prior to the commencement of works to ensure the accuracy of any information contained in the drawing. Any discrepancy must be notified before work commences. The drawing may only be used for the address shown and may not be copied without permission. Copyright Building Plans. ©



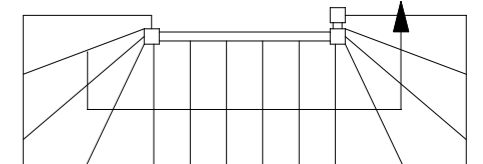
PROPOSED SECTION A:A



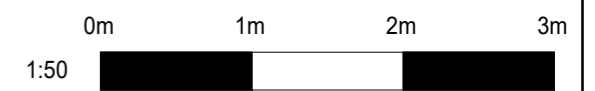
stair section



PROPOSED SECOND FLOOR PLAN



stair plan



43 Moreton Road
 Worcester Park
 Surrey
 KT4 8EY
 Proposed Second Floor Plan & Section A:A

| | |
|-------------------|-----------------|
| SCALE : 1:50 @ A3 | date 27:03:2024 |
| drw no morr-43-3 | revised no |

window to be fitted with obscure glass & non-openable up to 1.7m from floor level