

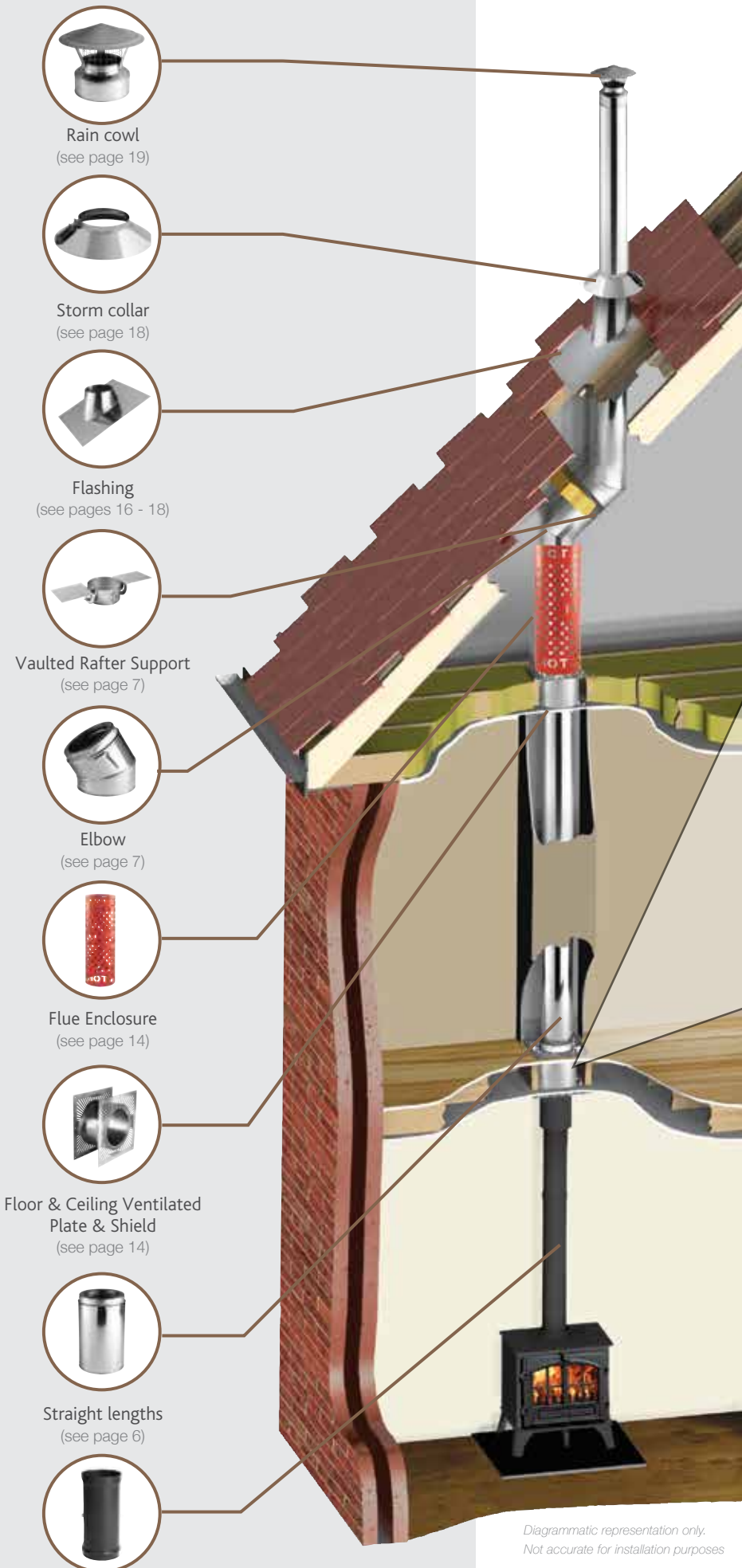
STOVAX
Fire Your Imagination

Professional XQ™

Stove & Fireplace
Chimney Systems



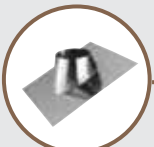
INTERNAL INSTALLATION



Rain cowl
(see page 19)



Storm collar
(see page 18)



Flashing
(see pages 16 - 18)



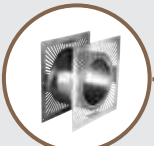
Vaulted Rafter Support
(see page 7)



Elbow
(see page 7)



Flue Enclosure
(see page 14)



Floor & Ceiling Ventilated
Plate & Shield
(see page 14)



Straight lengths
(see page 6)

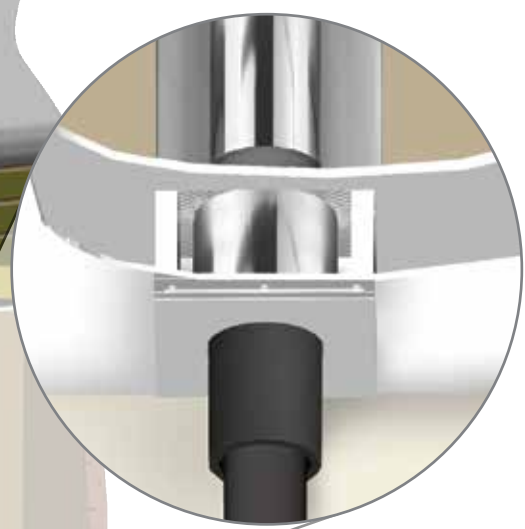


Enamelled flue pipe
(see pages 20 - 22)

Stovax offers 4 standard powder coating colours. For internal twin wall components, Textured Matt Black; and for external components, Satin Black, Gloss Black and Satin White. However, all external parts can be powder coated to any colour in the RAL range. For example:



RAL RAL is a European colour matching system mainly used for paint and powder coating.



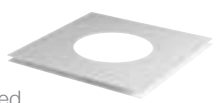
Innovative Decorative Solutions



Decorative single to twin adaptor

This component allows a cut length of vitreous flue pipe to be inserted up to 90mm into a twin wall system to give a completely seamless join (see page 10).

Decorative ceiling cover plate



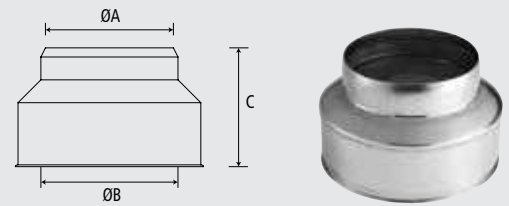
This component is supplied powder coated white to give a perfect finish to the system when passing through a ceiling. Secured by magnets, it is designed to fit over a ceiling plate, showing no visible fixings (see page 15).

*Diagrammatic representation only.
Not accurate for installation purposes*

Cowls are fitted to the end of the flue pipe and secured using our Twist-Lock system to provide complete protection for the installation.

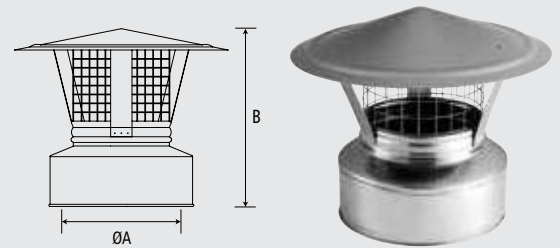
Open terminal

		ØA	ØB	C
Ø125mm	FXQ125-047	125mm	125mm	130mm
Ø150mm	FXQ150-047	150mm	150mm	130mm
Ø175mm	FXQ175-047	175mm	175mm	130mm
Ø200mm	FXQ200-047	200mm	200mm	130mm
Ø250mm	FXQ250-047	250mm	250mm	130mm
Ø300mm	FXQ300-047	300mm	300mm	130mm



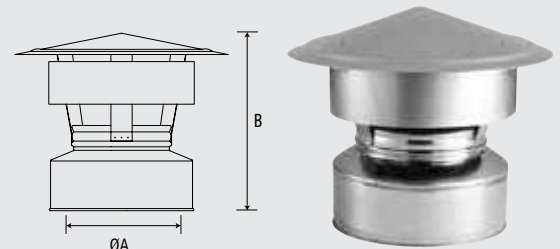
Rain cowl

		ØA	B
Ø125mm	FXQ125-048	125mm	250mm
Ø150mm	FXQ150-048	150mm	250mm
Ø175mm	FXQ175-048	175mm	250mm
Ø200mm	FXQ200-048	200mm	250mm
Ø250mm	FXQ250-048	250mm	250mm
Ø300mm	FXQ300-048	300mm	250mm



Weather/wind cowl

		ØA	B
Ø125mm	FXQ125-049	125mm	250mm
Ø150mm	FXQ150-049	150mm	250mm
Ø175mm	FXQ175-049	175mm	250mm
Ø200mm	FXQ200-049	200mm	250mm
Ø250mm	FXQ250-049	250mm	250mm
Ø300mm	FXQ300-049	300mm	250mm

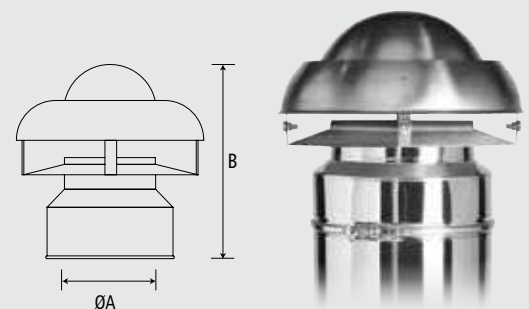


Anti-down draft cowl

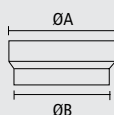
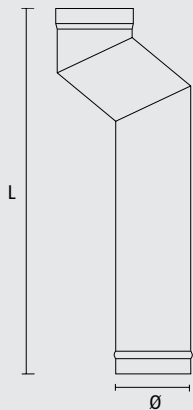
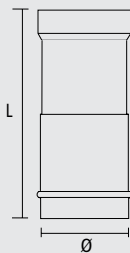
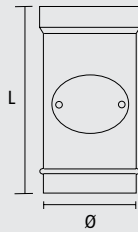
complete with twist lock fitting

Designed in collaboration with Eurocowl specifically for Stovax's Professional XQ™ range.

		ØA	B
Ø125mm	FXQ125-050	125mm	280mm
Ø150mm	FXQ150-050	150mm	280mm
Ø175mm	FXQ175-050	175mm	280mm
Ø200mm	FXQ200-050	200mm	295mm



ENAMELLED FLUE PIPE



Straight without door

	Colour	306mm length	612mm length	918mm length	1130mm length
Ø125mm	Matt Black	4500	4501	4502	4545
Ø125mm	Midnight Blue	4500MBL	4501MBL	4502MBL	-
Ø125mm	Laurel Green	4500LG	4501LG	4502LG	-
Ø125mm	Ivory	4500IV	4501IV	4502IV	-
Ø125mm	Gloss Black	4500GB	4501GB	4502GB	-
Ø150mm	Matt Black	4600	4601	4602	4645
Ø150mm	Midnight Blue	4600MBL	4601MBL	4602MBL	-
Ø150mm	Laurel Green	4600LG	4601LG	4602LG	-
Ø150mm	Ivory	4600IV	4601IV	4602IV	-
Ø150mm	Gloss Black	4600GB	4601GB	4602GB	-
Ø175mm	Matt Black	4700	4701	4702	-
Ø200mm	Matt Black	4800	4801	4802	-

Straight with door

	Colour	306mm length	612mm length	918mm length
Ø125mm	Matt Black	4504	4505	4506
Ø125mm	Midnight Blue	4504MBL	4505MBL	4506MBL
Ø125mm	Laurel Green	4504LG	4505LG	4506LG
Ø125mm	Ivory	4504IV	4505IV	4506IV
Ø150mm	Matt Black	4604	4605	4606
Ø150mm	Midnight Blue	4604MBL	4605MBL	4606MBL
Ø150mm	Laurel Green	4604LG	4605LG	4606LG
Ø150mm	Ivory	4604IV	4605IV	4606IV
Ø175mm	Matt Black	4704	4705	4706
Ø200mm	Matt Black	4804	4805	4806

Telescopic straight without door

	Colour	380 - 635mm length	1015 - 1370mm length
Ø125mm	Matt Black	4542	4540
Ø125mm	Midnight Blue	4542MBL	4540MBL
Ø125mm	Laurel Green	4542LG	4540LG
Ø150mm	Matt Black	4642	4640
Ø150mm	Midnight Blue	4642MBL	4640MBL
Ø150mm	Laurel Green	4642LG	4640LG
Ø175mm	Matt Black	-	4740
Ø200mm	Matt Black	-	4840

Offset straight without door

	Colour	L
Ø125mm	Matt Black	4541 600mm
Ø150mm	Matt Black	4641 600mm

Cut length adaptor

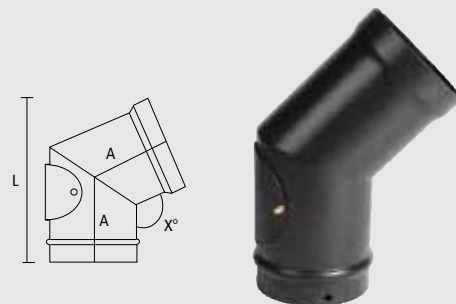
	Colour	ØA	ØB
Ø125mm	Matt Black	4519 130mm	125mm
Ø150mm	Matt Black	4619 155mm	150mm
Ø175mm	Matt Black	4719 181mm	175mm
Ø200mm	Matt Black	4819 206mm	200mm

Bend with door

Colour	90°	A	L	110°	A	L
Ø125mm Matt Black	4514 †	171mm	225mm	4513	150mm	255mm
Ø150mm Matt Black	4614 †	184mm	245mm	4613	153mm	280mm
Ø175mm Matt Black	4714 †	200mm	280mm	4713	175mm	302mm
Ø200mm Matt Black	4814 †	223mm	325mm	4813	191mm	322mm

† Depending on location, restrictions may apply to the use of 90° bends. Please refer to local Building Regulations.

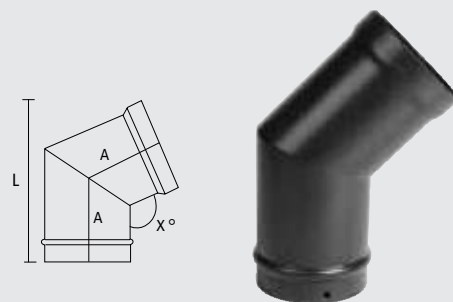
Colour	135°	A	L	150°	A	L
Ø125mm Matt Black	4512	130mm	295mm	4522	130mm	305mm
Ø125mm Gloss Black	4512GB	130mm	295mm	-	-	-
Ø150mm Matt Black	4612	136mm	325mm	4622	136mm	315mm
Ø150mm Gloss Black	4612GB	136mm	325mm	-	-	-
Ø175mm Matt Black	4712	140mm	295mm	4722	140mm	315mm
Ø200mm Matt Black	4812	191mm	320mm	4822	191mm	345mm



Bend without door

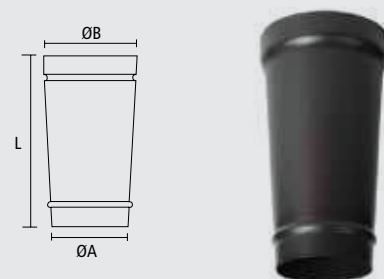
Colour	135°	A	L
Ø125mm Matt Black	4537	130mm	295mm
Ø125mm Midnight Blue	4537MBL	130mm	295mm
Ø125mm Laurel Green	4537LG	130mm	295mm
Ø125mm Ivory Enamel	4537IV	130mm	295mm
Ø125mm Gloss Black	4537GB	130mm	295mm
Ø150mm Matt Black	4637	136mm	325mm
Ø150mm Midnight Blue	4637MBL	136mm	325mm
Ø150mm Laurel Green	4637LG	136mm	325mm
Ø150mm Ivory Enamel	4637IV	136mm	325mm
Ø150mm Gloss Black	4637GB	136mm	325mm
Ø175mm Matt Black	4737	140mm	295mm
Ø200mm Matt Black	4837	180mm	310mm

Colour	150°	A	L
Ø125mm Matt Black	4538	130mm	305mm
Ø150mm Matt Black	4638	136mm	315mm
Ø175mm Matt Black	4738	170mm	320mm
Ø200mm Matt Black	4838	180mm	345mm



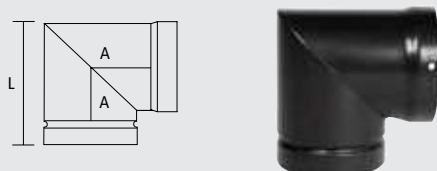
Increasing adaptor

Colour	ØA	ØB	L	
Ø100mm - Ø125mm Matt Black	4418	102mm	127mm	255mm
Ø125mm - Ø150mm Matt Black	4518	127mm	152mm	255mm
Ø150mm - Ø175mm Matt Black	4618	152mm	178mm	255mm
Ø175mm - Ø200mm Matt Black	4718	178mm	203mm	255mm

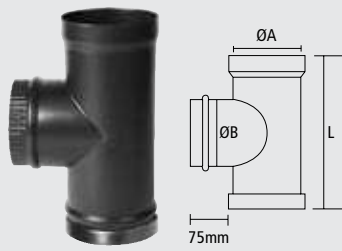


90° Gas quick bend elbow

Colour	A	L	
Ø125mm Matt Black	4521	109mm	178mm

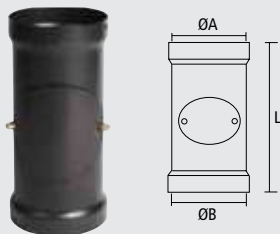


ENAMELLED FLUE PIPE



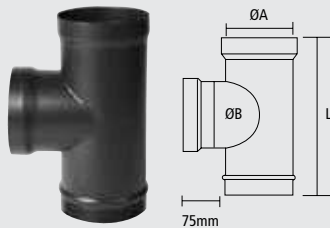
Tee piece with end cap

	Colour	90°	ØA	ØB	L
Ø125mm	Matt Black	4516	127mm	127mm	305mm
Ø125mm	Midnight Blue	4516MBL	127mm	127mm	305mm
Ø125mm	Laurel Green	4516LG	127mm	127mm	305mm
Ø125mm	Ivory Enamel	4516IV	127mm	127mm	305mm
Ø125mm	Gloss Black	4516GB	127mm	127mm	305mm
Ø150mm	Matt Black	4616	152mm	152mm	305mm
Ø150mm	Midnight Blue	4616MBL	152mm	152mm	305mm
Ø150mm	Laurel Green	4616LG	152mm	152mm	305mm
Ø150mm	Ivory Enamel	4616IV	152mm	152mm	305mm
Ø150mm	Gloss Black	4616GB	152mm	152mm	305mm
Ø175mm	Matt Black	4716	178mm	178mm	357mm
Ø200mm	Matt Black	4816	203mm	203mm	380mm



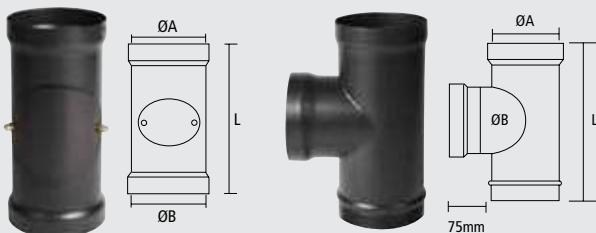
Double socket straight

	Colour		ØA	ØB	L
305mm Straight with door	Matt Black	4508	130mm	130mm	306mm
610mm Straight with door	Matt Black	4509	130mm	130mm	612mm
915mm Straight with door	Matt Black	4510	130mm	130mm	918mm



Double socket Tee piece with end cap

	Colour		ØA	ØB	L
90° Tee with end cap	Matt Black	4517	130mm	130mm	306mm
90° Tee with end cap	Matt Black	4617	153mm	153mm	306mm



Double sockets - Regency stoves

	Colour		ØA	ØB	L
305mm straight with door	Matt Black	4808	200mm	200mm	305mm
610mm straight with door	Matt Black	4809	200mm	200mm	610mm
915mm double socket straight with door	Matt Black	4810	200mm	200mm	915mm
90° double socket Tee with end cap	Matt Black	4817	200mm	200mm	380mm

ACCESSORIES



Flue damper



Flue collar

Flue dampers

	Ø
3068	100mm
3060	125mm
3061	150mm
3062	175mm
3063	200mm

Flue collars

	Ø
2038	125mm
2039	150mm
2040	175mm
2041	200mm

General installation instructions

You are advised to have your intended installation checked and surveyed by an appropriately qualified person. In the UK this would be a HETAS chimney specialist for solid fuel systems or GasSafe registered member for gas systems. They will also be able to complete your installation in accordance with the current local building regulations.

For further guidance on installation issues that are not already detailed within the Professional XQ™ Chimney Systems Installation Instructions, you can contact one of the following:

- HETAS (Heating Equipment Testing and Approval Scheme)
- NACS (National Association of Chimney Sweeps)
- Manufacturer's installation instructions for the heating appliance.

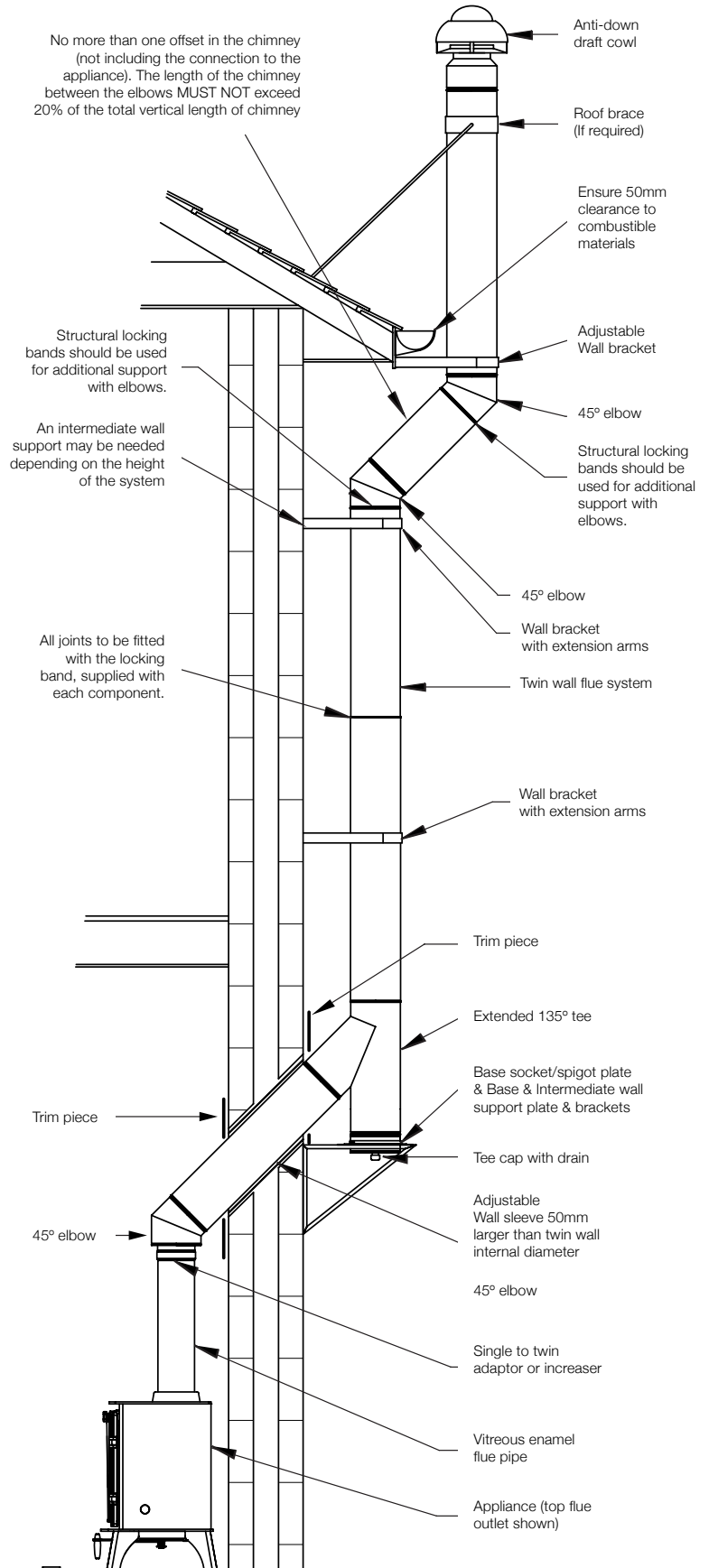
Further checks by your installer will be required to ensure that an adequate air supply is available for combustion and it is essential these checks are carried out prior to installation.

It is important that you have fully designed your system and read all the relevant instructions and local building regulations and taken expert advice before commencing installation.

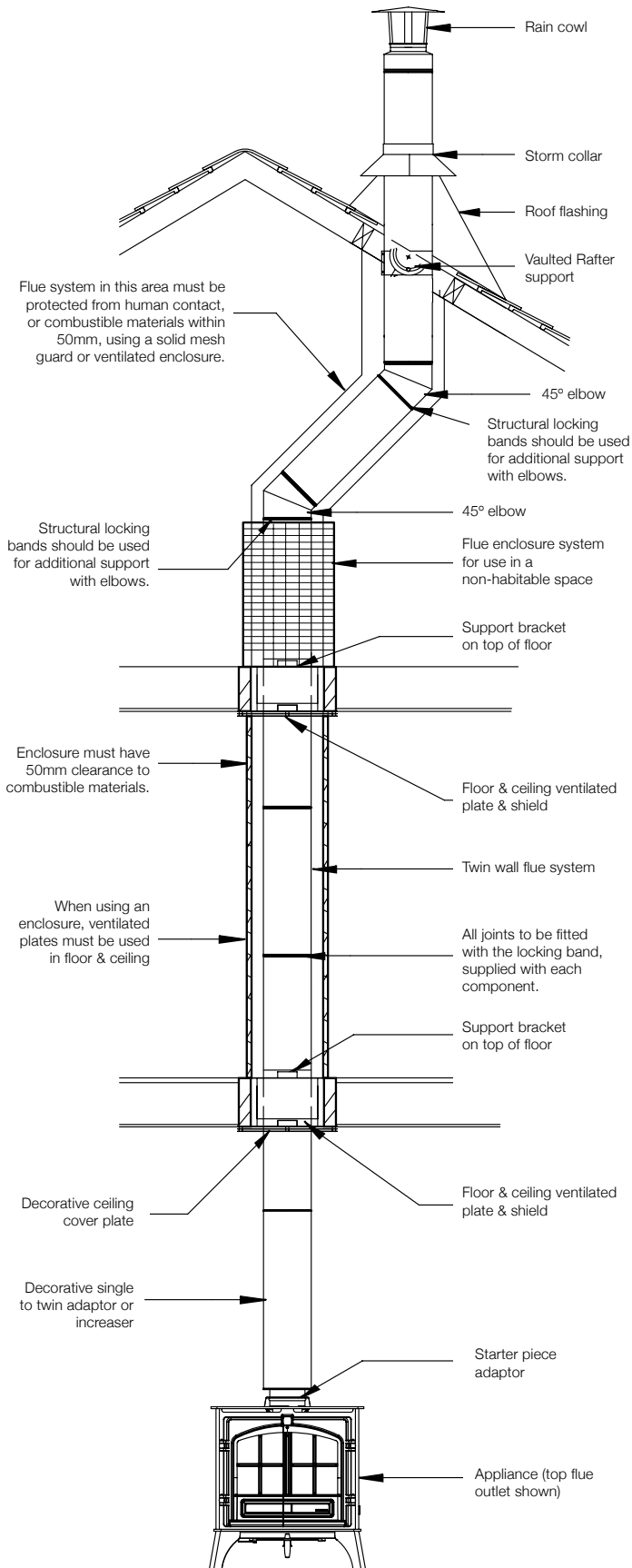
In particular you will need to ensure the installer has checked all local regulations, including those referring to national and European standards, to ensure full compliance of your installation.



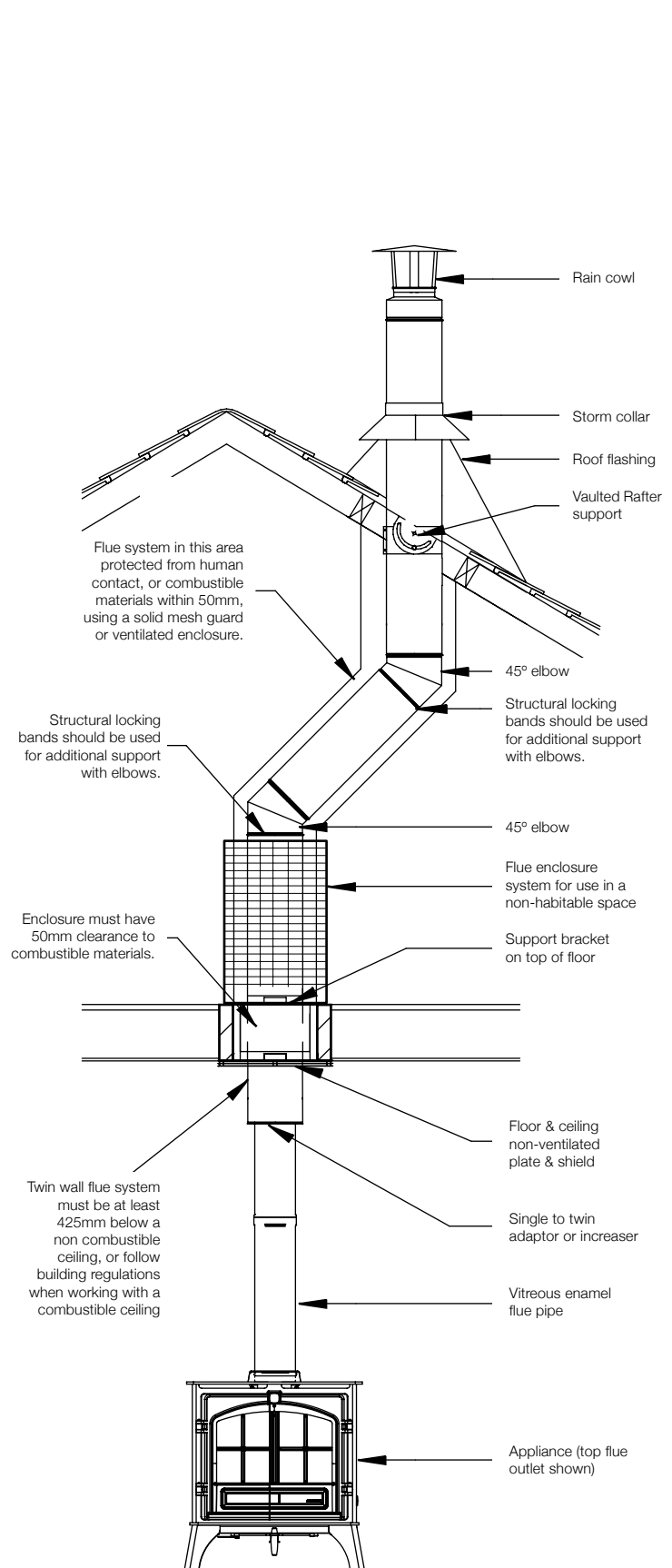
THROUGH WALL INSTALLATION



INTERNAL INSTALLATION WITH BUILDING ENCLOSURE



INTERNAL INSTALLATION FOR SINGLE STOREY BUILDING





STOVAX

Fire Your Imagination

Stovax Limited, Falcon Road, Sowton Industrial Estate, Exeter, Devon, England, EX2 7LF

Chimney Systems Customer Services Tel: 01392 474040 **UK Trade sales Tel:** 01392 474000

Fax: 01392 219932 **Email:** chimneysystems@stovax.com

www.stovax.com **www.stovax.com/chimneysystems**



To view and download our complete range of brochures, simply scan this code or visit www.stovax.com/brochures

Paper sourced from sustainable forests and printed using vegetable based inks

© All material copyright Stovax Limited 2018 E & O E

A member of the Stovax Group

PROXQ0118

