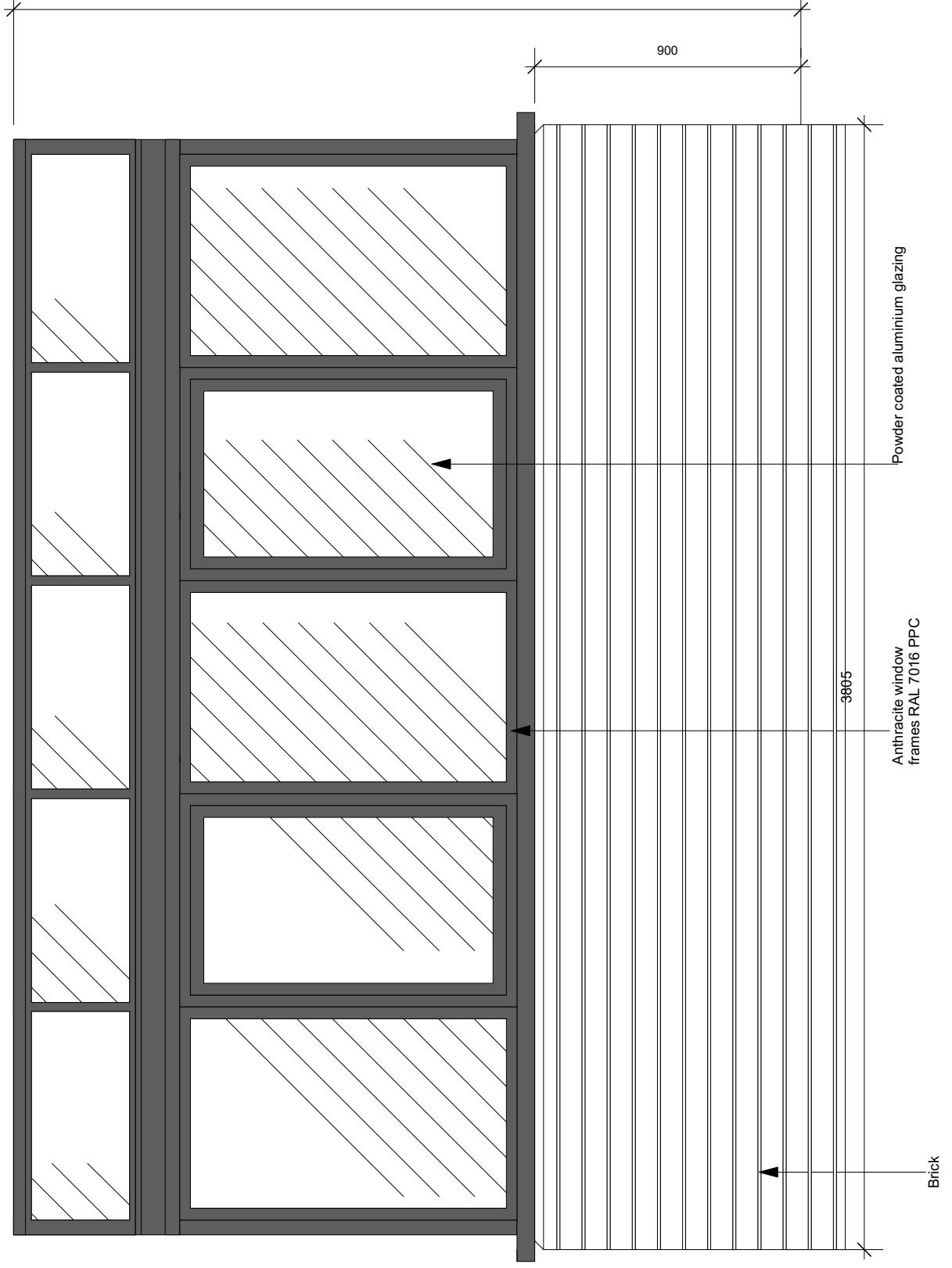
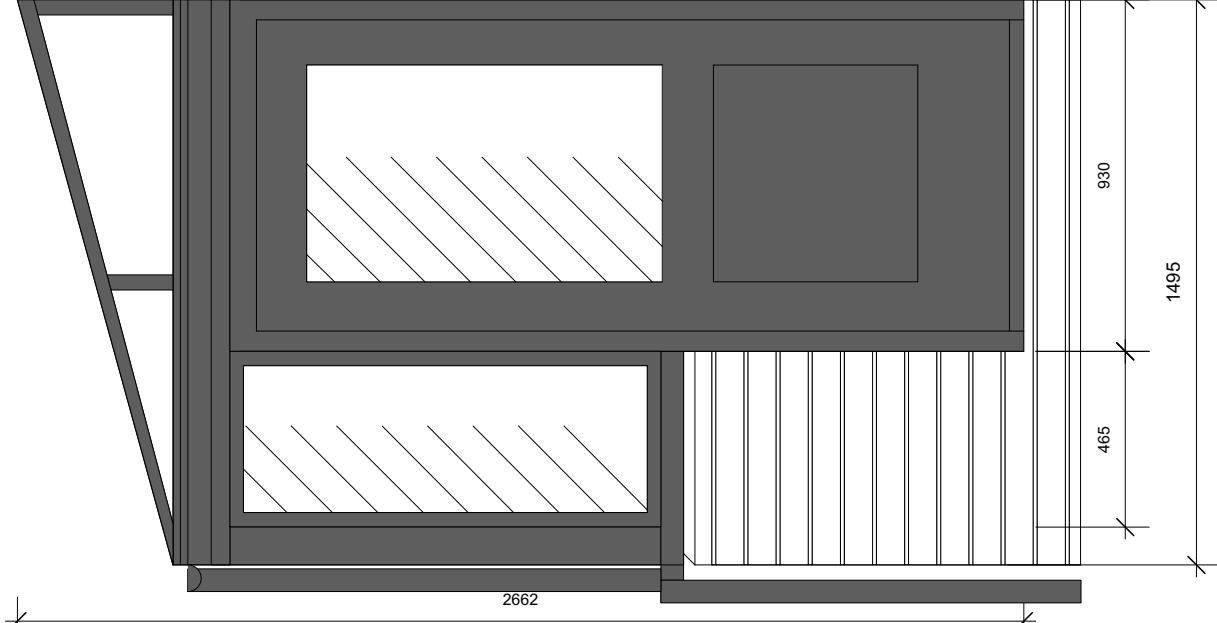


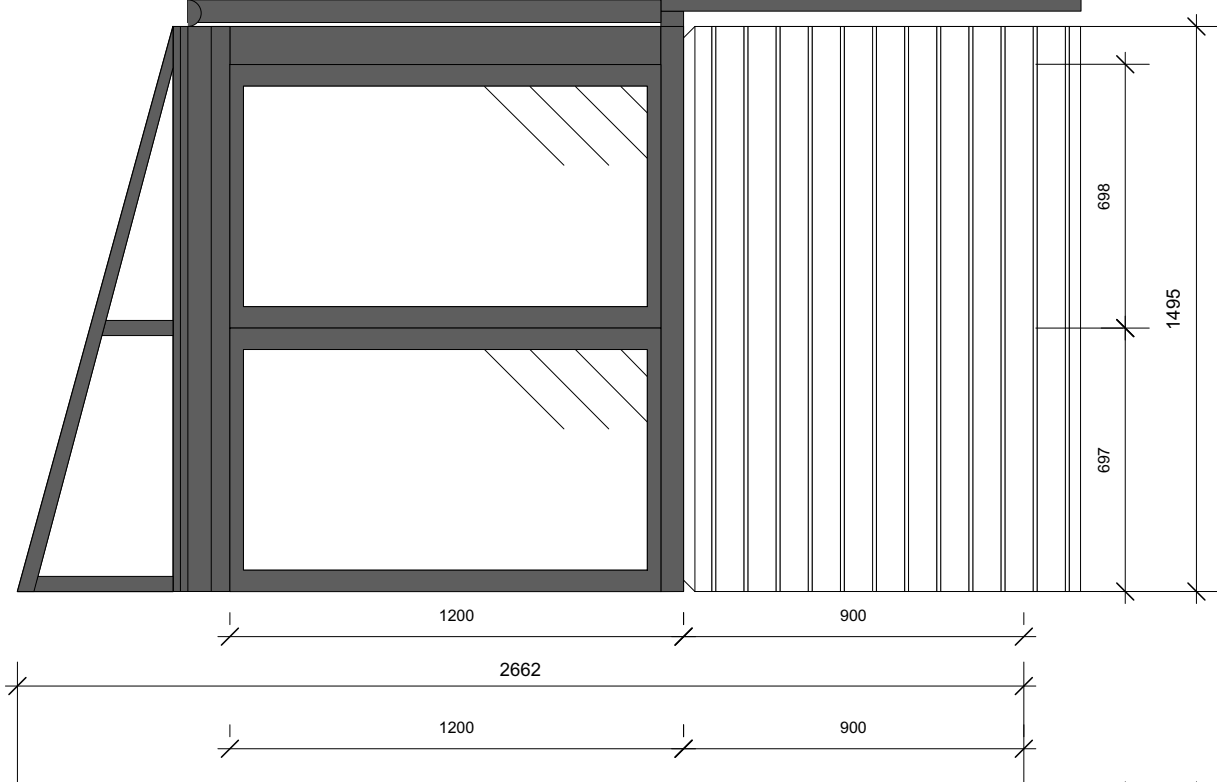
Lime render finish exterior wall



FRONT ELEVATION



SIDE ELEVATION



SIDE ELEVATION



Project ID: 3004
 Scale: 1:20 @ A3
 Drawn By: TH
 Checked By: SB
 Issue Date: 28/02/24
 Plot Date: xx/xx/xx

RECTORY COTTAGE

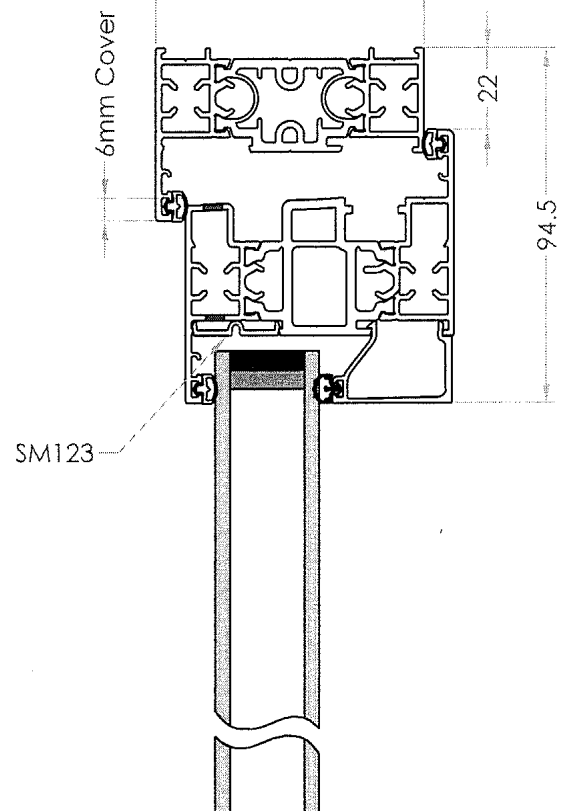
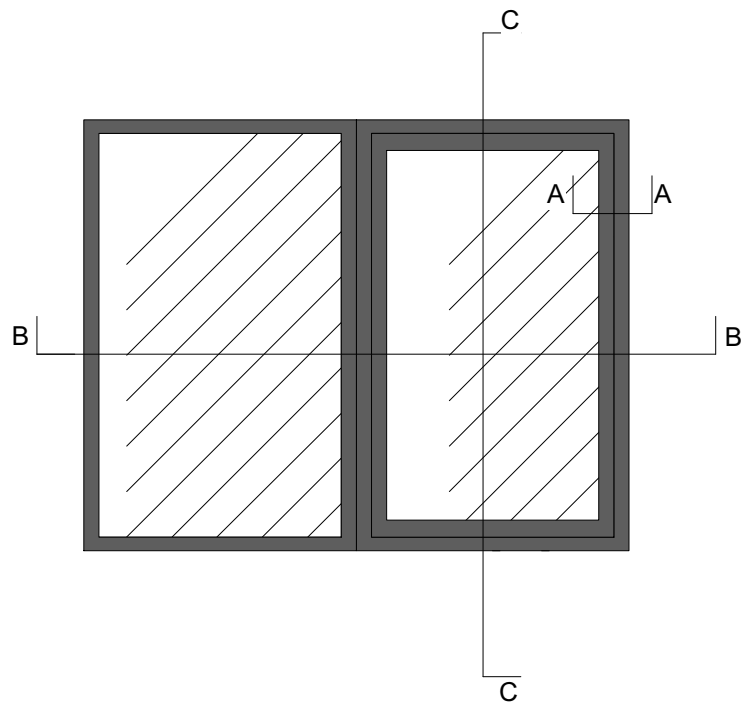
D BILTON and B JAMES

PORCH DETAILS
 SOUTH ELEVATION

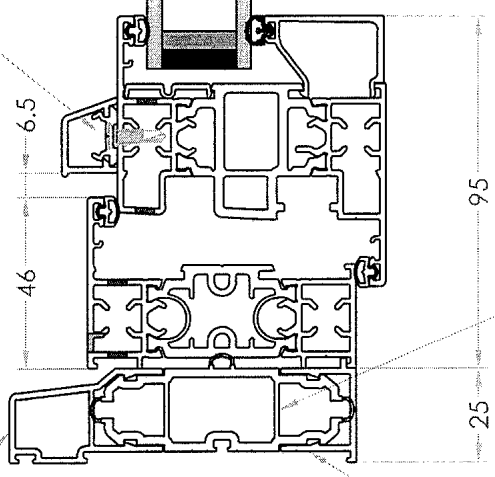
Beanland Associates Architects Limited
 Unit 4,
 Observation Court
 84 Princes Street, admin@beanland.org.uk
 Ipswich, IP1 1RY www.beanland.org.uk
 T: 01473 226138
 F: 01473 760138

Unless otherwise agreed, this drawing is
Beanland Associates Architects Limited
 For 'For Construction' Status drawings; do
 not scale from this drawing, work to
 figured dimensions

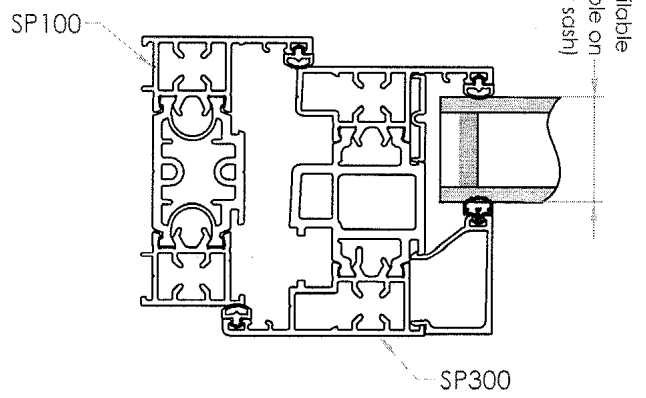
3004-400H



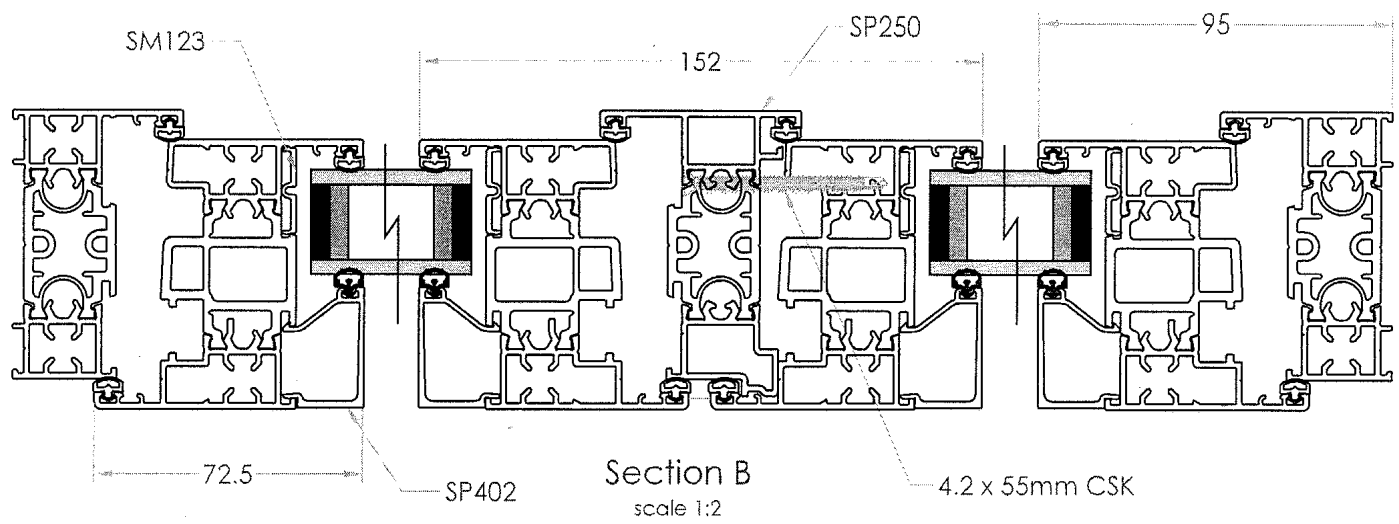
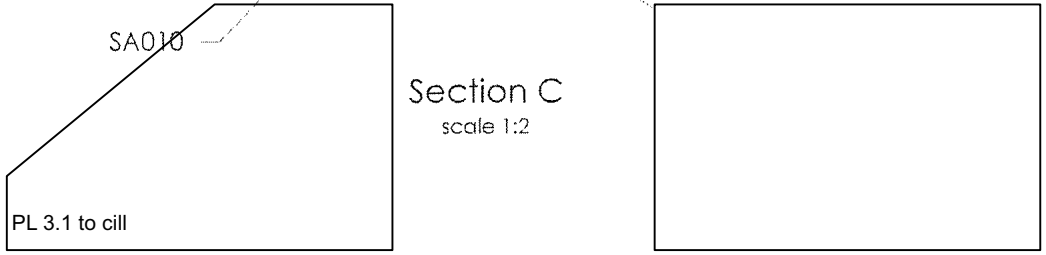
Optional Door Drip Bar
3.9 x 16 Screw



Section A
scale 1:2



Section C
scale 1:2



Section B
scale 1:2



Beanland Associates Architects Limited
Unit 4, Observation Court
84 Princes Street,
Ipswich, IP1 1RY
T: 01473 226138
F: 01473 760138
admin@beanland.org.uk
www.beanland.org.uk

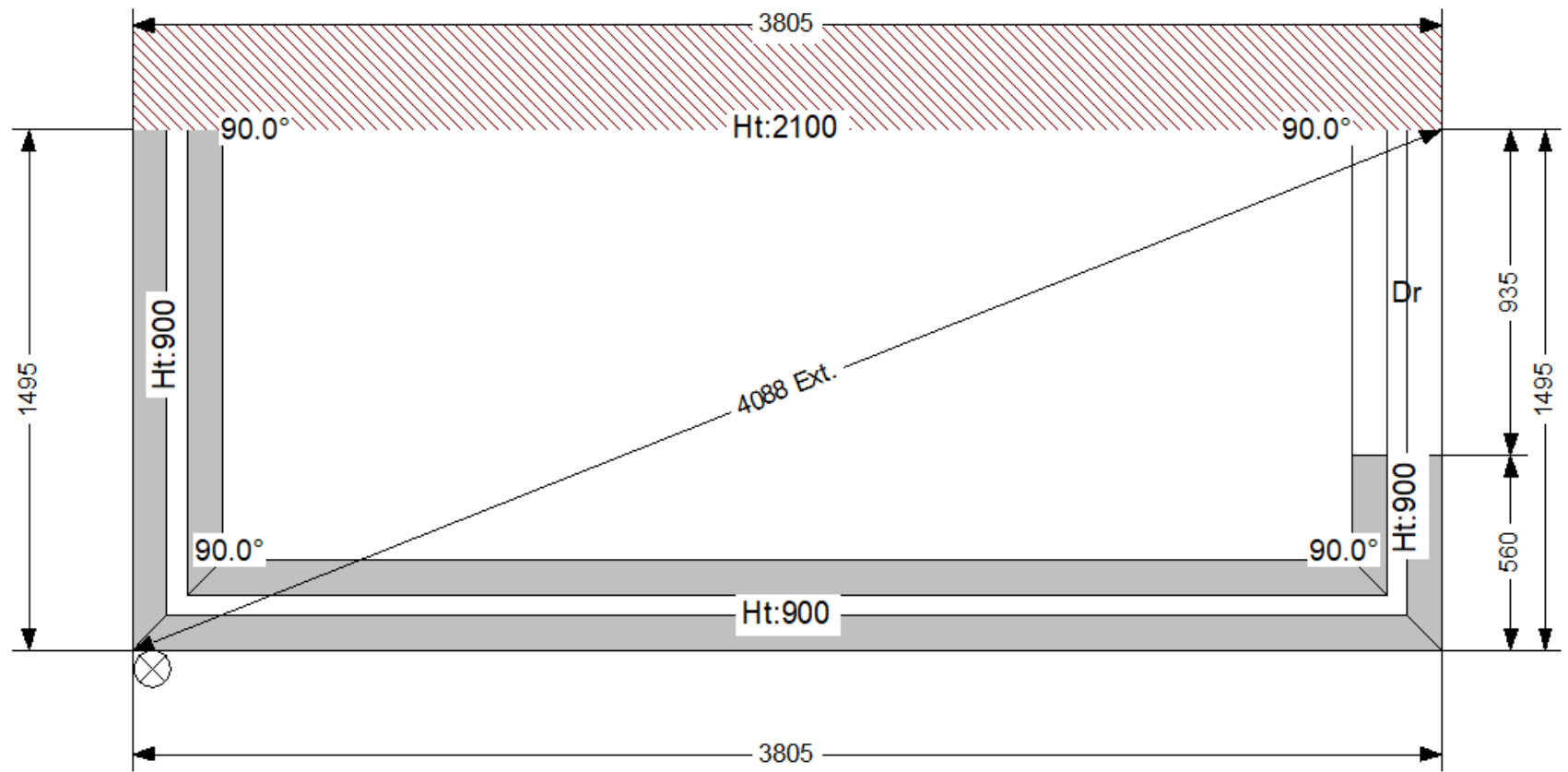
Project Title: RECTORY COTTAGE
Client: DB
Sheet Title: FRONT PORCH WINDOW CROSS SECTION FOR OPENING CASEMENTS

Project ID: 3004
Scale: 1:2 @ A3
Drawn By: TH
Checked By: xx
Issue Date: xx/xx/xx
Plot Date: xx/xx/xx
Drawing status: PORCH DETAILS



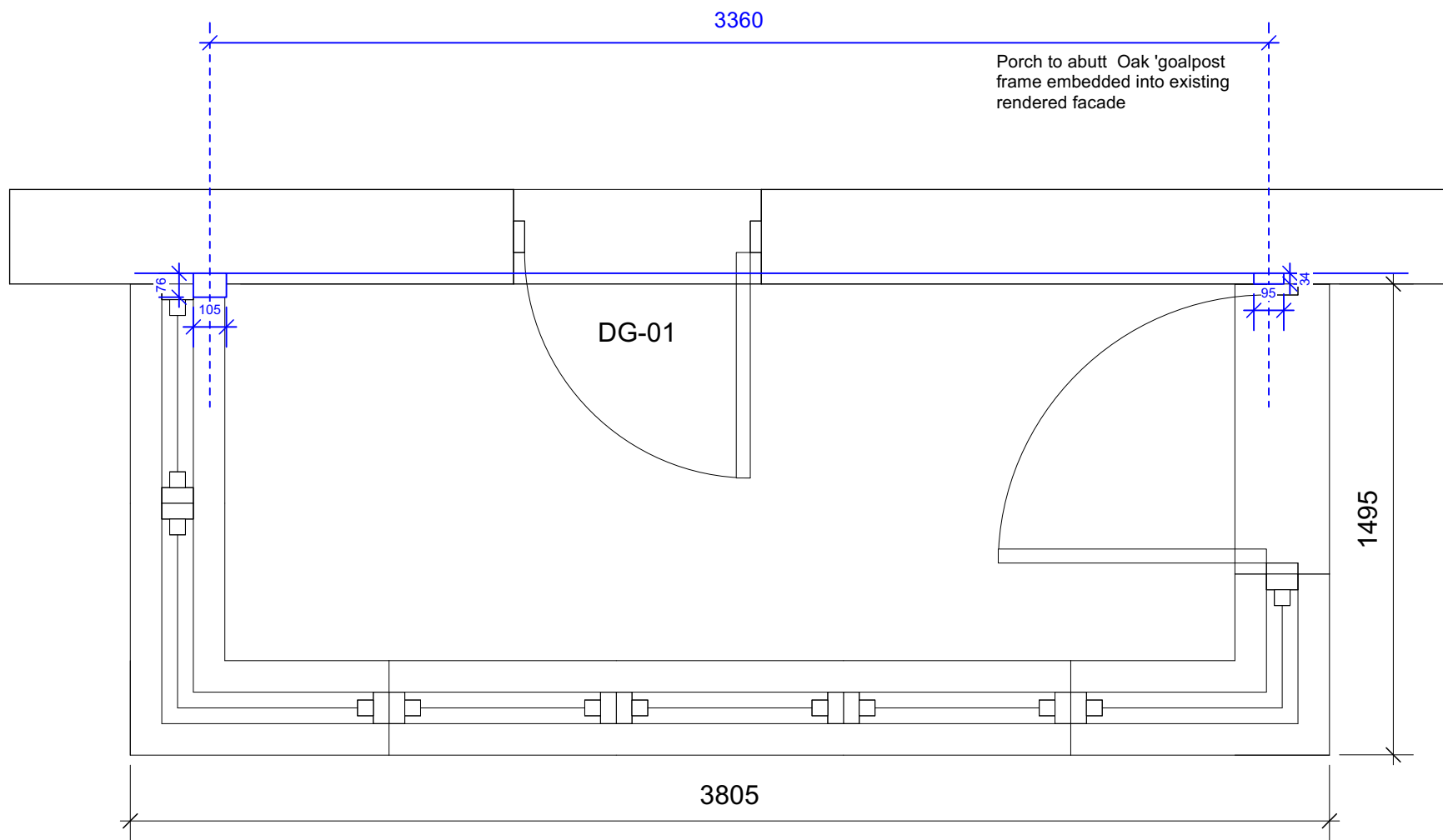
Drawing No: 3004_408H

Unless otherwise agreed, this drawing is
© Beanland Associates Architects Limited
For 'For Construction' Status drawings;
do not scale from this drawing, work to
figured dimensions



PLINTH PLAN

External span : 3805mm
 External projection : 1495mm
 Dwarf Wall Heights : 900mm
 DPC Height : 200mm
 Total Brickwork Area : 9.97m²
 Total External Brickwork Area : 5.27m²
 External DPC Area : 1.359m²
 External Floor Area : 5.69m²



PORCH PLAN



Beanland Associates Architects Limited

Unit 4,
 Observation Court
 84 Princes Street,
 Ipswich, IP1 1RY
 T: 01473 226138
 F: 01473 760138
 admin@beanland.org.uk
 www.beanland.org.uk

Project Title: RECTORY COTTAGE

Client: DB

Sheet Title: FRONT PORCH LAYOUT

Project ID: 3004
 Scale: 1:20 @ A3
 Drawn By: TH
 Checked By: xx
 Issue Date: xx/xx/xx
 Plot Date: xx/xx/xx

Drawing status: PORCH DETAILS



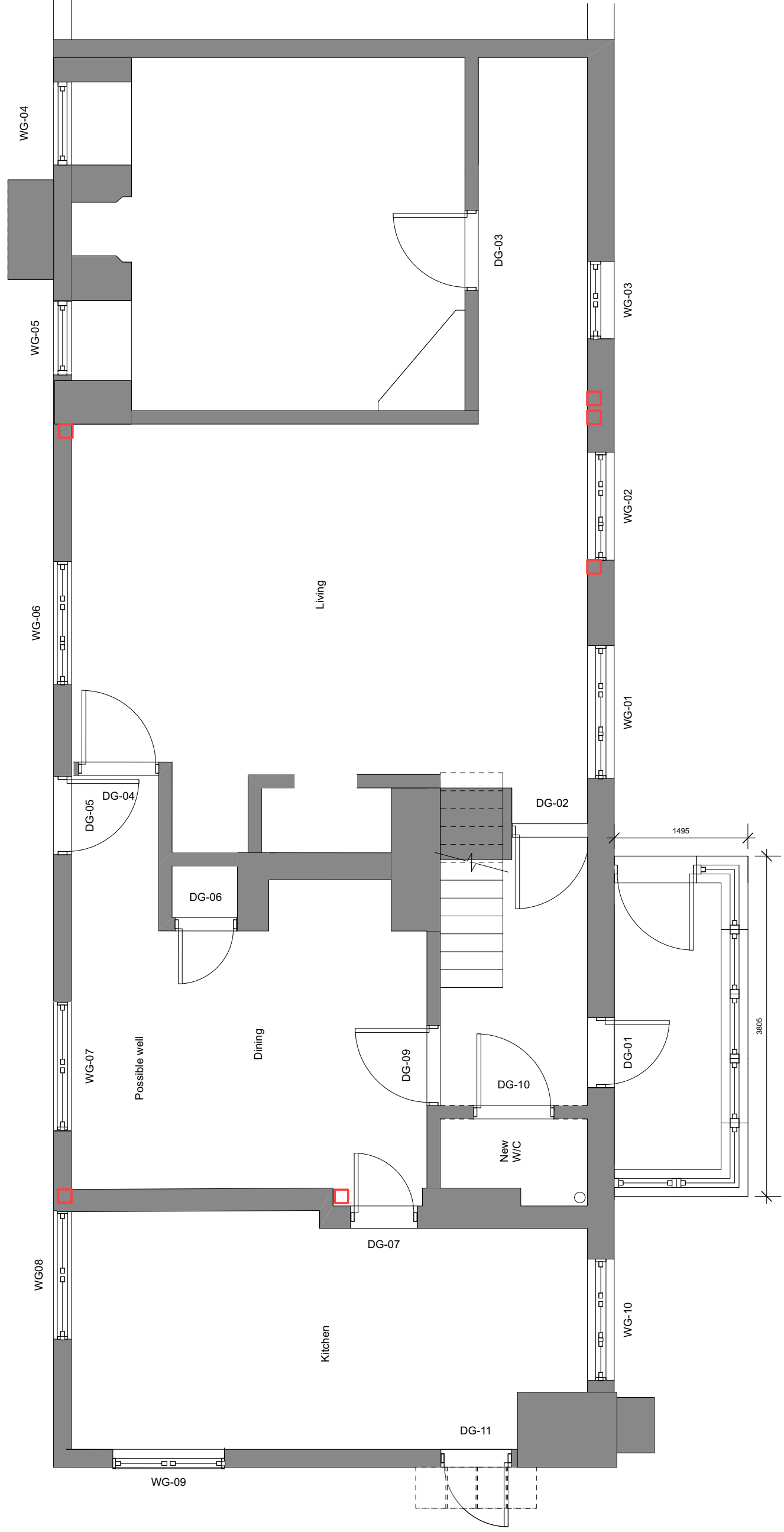
RIBA
 Chartered Practice

Drawing No: 3004_405H

Unless otherwise agreed, this drawing is

© Beanland Associates Architects Limited

For 'For Construction'
 Status drawings; do not
 scale from this drawing,
 work to figured
 dimensions



RIBA
Chartered Practice

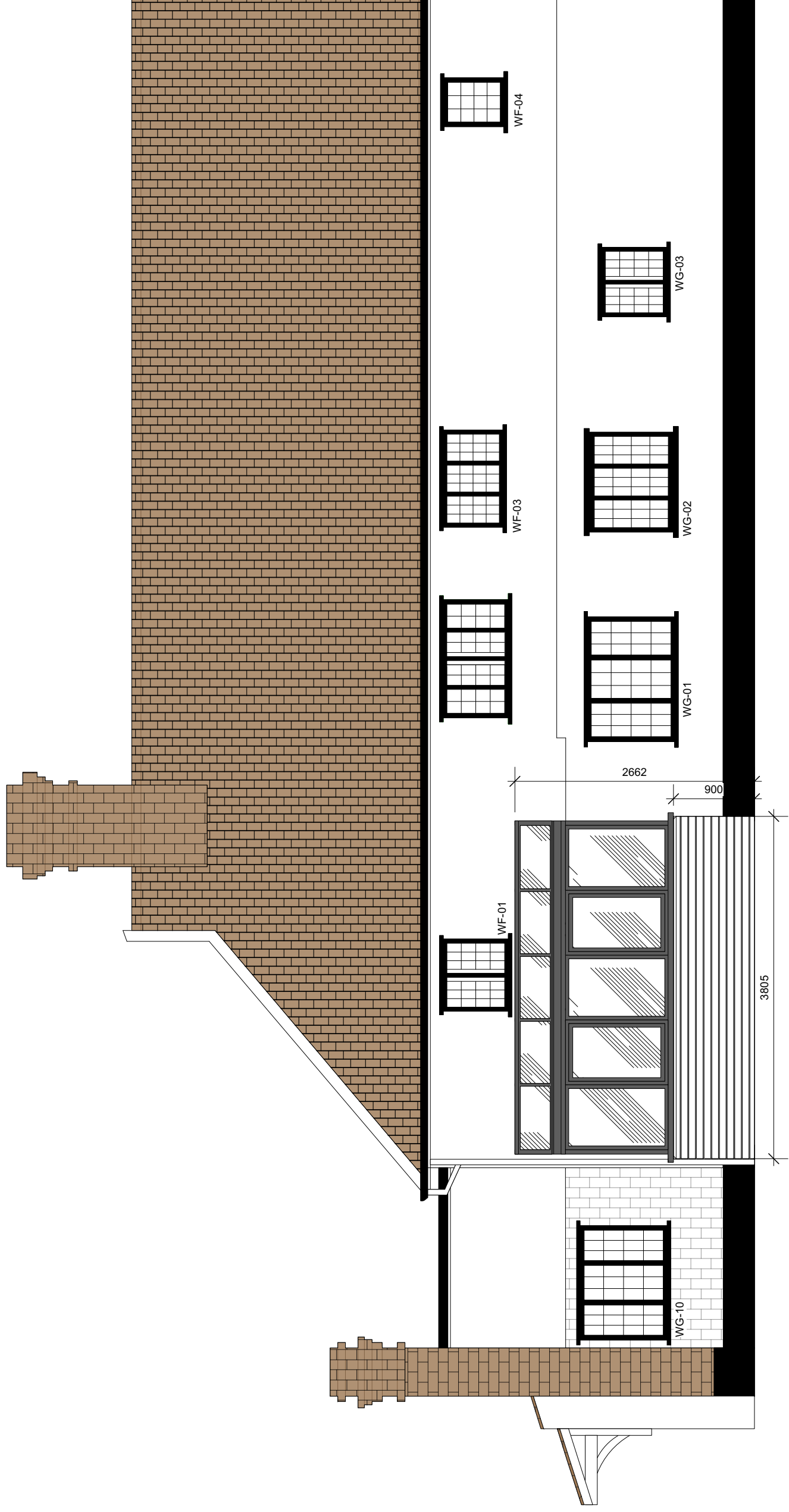
Project ID:	3004
Scale:	1:50 @ A3
Drawn By:	TH
Checked By:	SB
Issue Date:	09/04/24
Plot Date:	xx/xx/xx
Drawing status:	PORCH DETAILS

RECTORY COTTAGE
D. BILTON and B. JAMES
GROUND FLOOR PLAN SHOWING PROPOSED FRONT PORCH





Beanland Associates Architects Limited
 Unit 4, T: 01473 226138
 Observation Court F: 01473 760138
 84 Princes Street, admin@beanland.org.uk
 Ipswich, IP1 1RY www.beanland.org.uk

Unless otherwise agreed, this drawing is
Beanland Associates Architects Limited
 For 'For Construction' Status drawings; do not
 scale from this drawing, work to figured
 dimensions
3004-102H



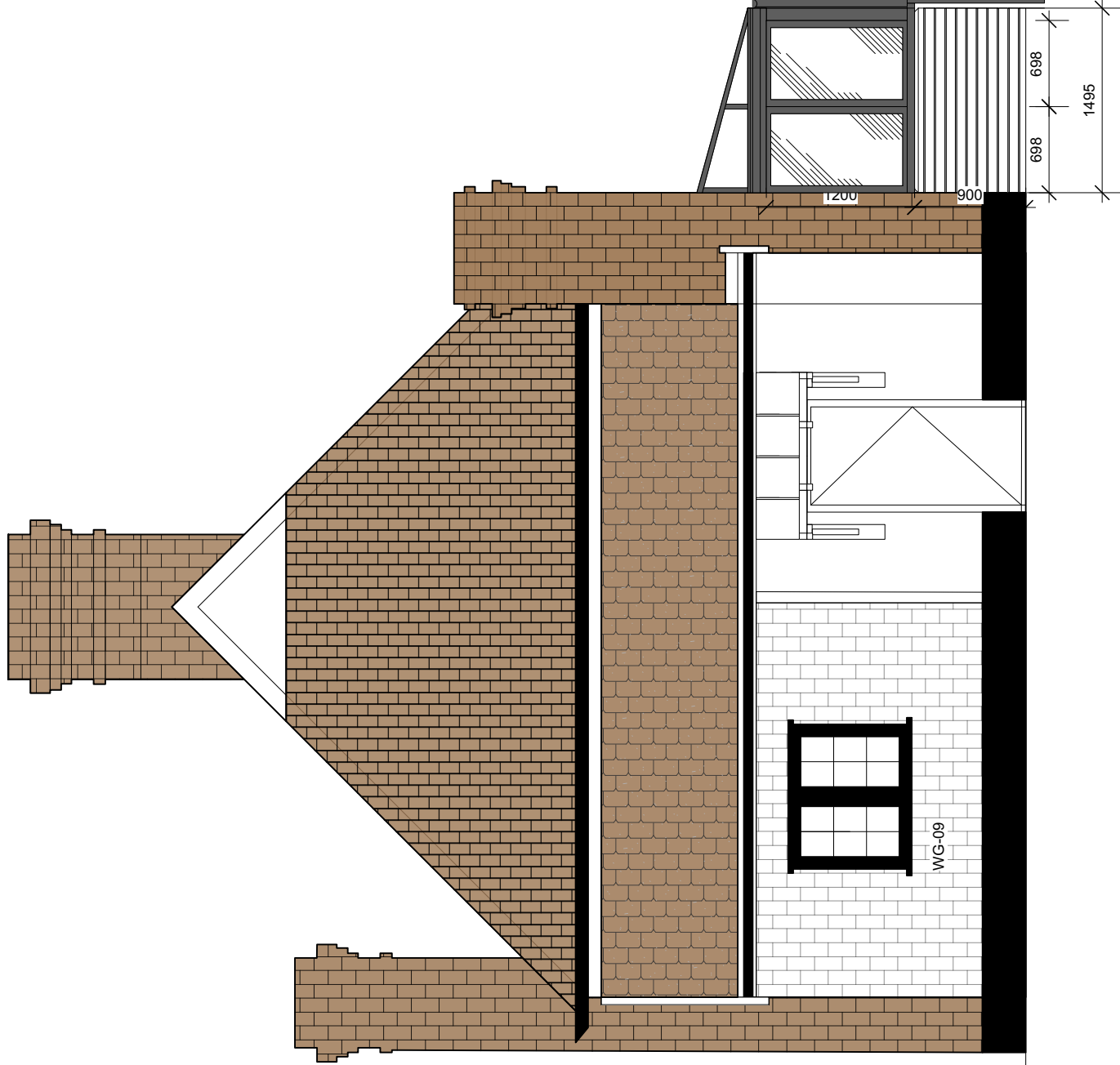
Unless otherwise agreed, this drawing is
 For 'For Construction' Status drawings; do not scale from this drawing, work to figured dimensions

 Architects Registration Board
 RIBA Chartered Practice

Project ID:	3004
Scale:	1:50 @ A3
Drawn By:	TH
Checked By:	SB
Issue Date:	09/04/24
Plot Date:	xx/xx/xx
Drawing status:	PRE-PLANNING

 **Beanland Associates** Architects Limited
 Unit 4, T: 01473 226138
 Observation Court F: 01473 760138
 84 Princes Street, admin@beanland.org.uk
 Ipswich, IP1 1RY www.beanland.org.uk

RECTORY COTTAGE
 D BILTON and B JAMES
 SOUTH ELEVATION SHOWING
 PROPOSED FRONT PORCH



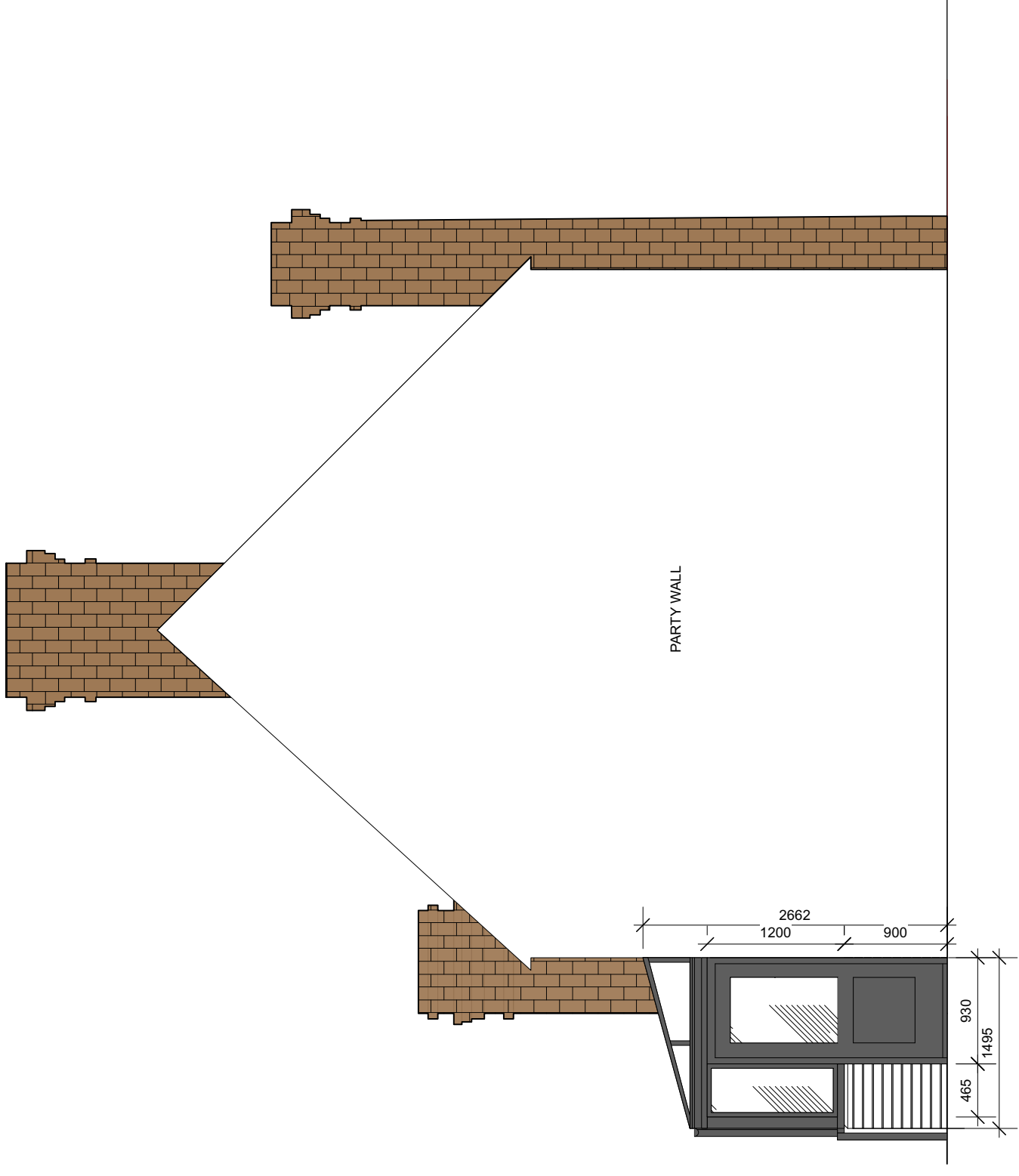
Unless otherwise agreed, this drawing is
Beanland Associates Architects Limited
 For 'For Construction' Status drawings; do not
 scale from this drawing, work to figured
 dimensions
3004-205H



Project ID:	3004
Scale:	1:50 @ A3
Drawn By:	TH
Checked By:	SB
Issue Date:	09/04/24
Plot Date:	xx/xx/xx
Drawing status:	PRE-PLANNING

RECTORY COTTAGE
 D BILTON and B JAMES
 WEST ELEVATION SHOWING
 PROPOSED FRONT PORCH

Beanland Associates Architects Limited
 Unit 4, T: 01473 226138
 Observation Court F: 01473 760138
 84 Princes Street, admin@beanland.org.uk
 Ipswich, IP1 1RY www.beanland.org.uk



Unless otherwise agreed, this drawing is
Beanland Associates Architects Limited
 For 'For Construction' Status drawings; do not
 scale from this drawing, work to figured
 dimensions
3004-206H



ARB
Architects
Registration
Board



RIBA
Chartered Practice

Project ID:	3004
Scale:	1:50 @ A3
Drawn By:	TH
Checked By:	SB
Issue Date:	09/04/24
Plot Date:	xx/xx/xx
Drawing status:	PRE-PLANNING

RECTORY COTTAGE

D BILTON and B JAMES

EAST ELEVATION SHOWING
 PROPOSED FRONT PORCH



Beanland Associates Architects Limited
 Unit 4,
 Observation Court
 84 Princes Street, admin@beanland.org.uk
 Ipswich, IP1 1RY www.beanland.org.uk

T: 01473 226138
 F: 01473 760138