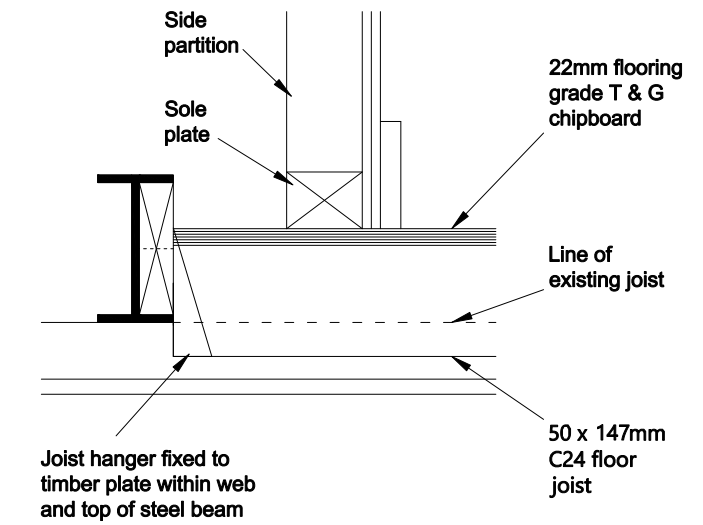
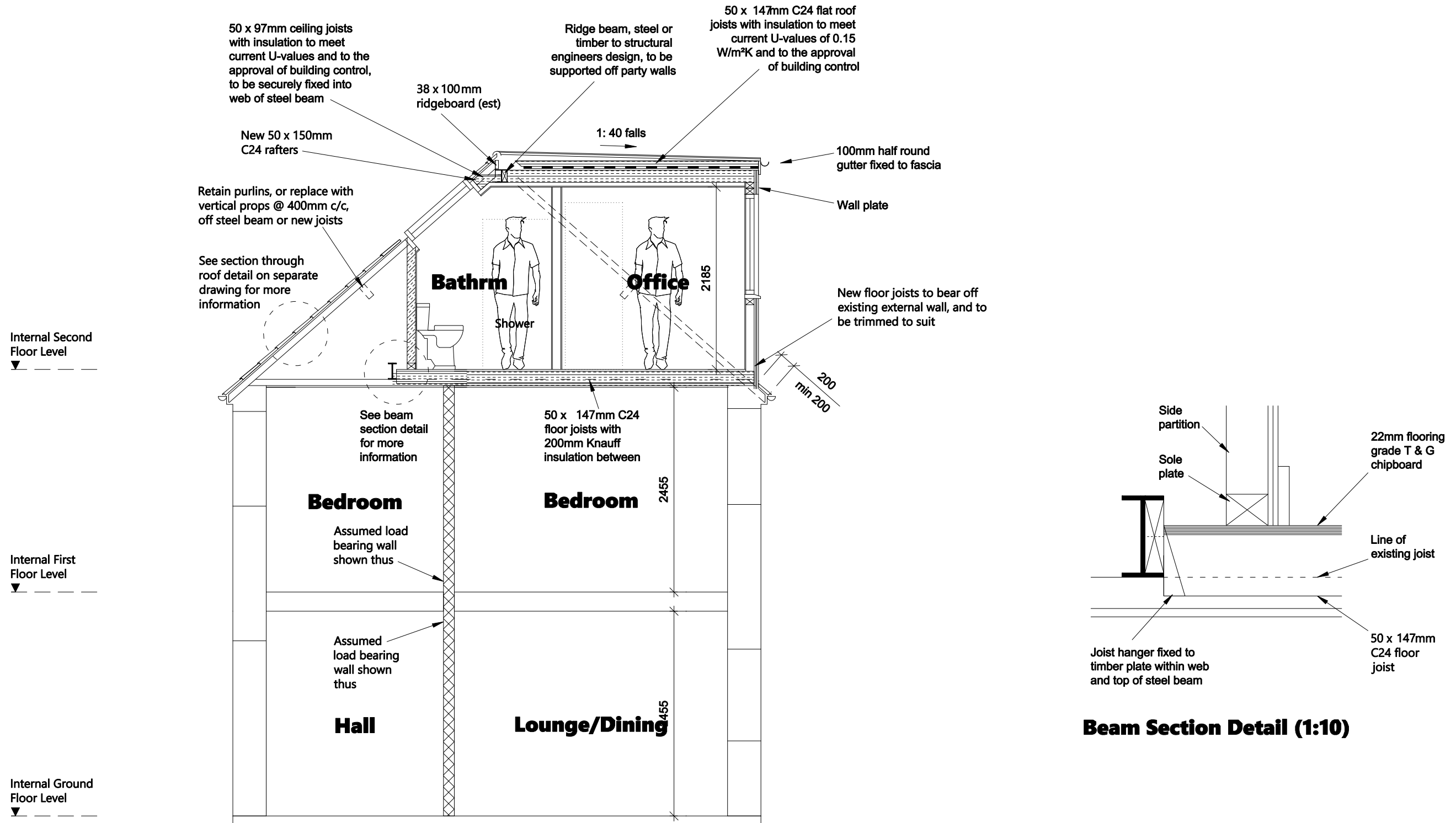




NOTES - Responsibility is not accepted for errors made by others in scaling from this drawing. All construction information should be taken from figured dimensions only. All dimensions are in millimeters. For construction details refer to building regulation notes and structural engineers design where applicable



Beam Section Detail (1:10)

 Jon Pritchard Ltd	Rev	Description of Changes	Drawn	Date	Client	Postcode	Drawing Title				
	-	-	-	-	Mr & Mrs Porter	BS9 2QU	Sect C-C and Beam Detail				
	Scale	1:50				Address	Appointed	Drawing No	48/SD/CD/11/BR		
					48 Southwood Dr, Coombe Dingle	May.2023	Drawn	dM	Option	5c	Rev