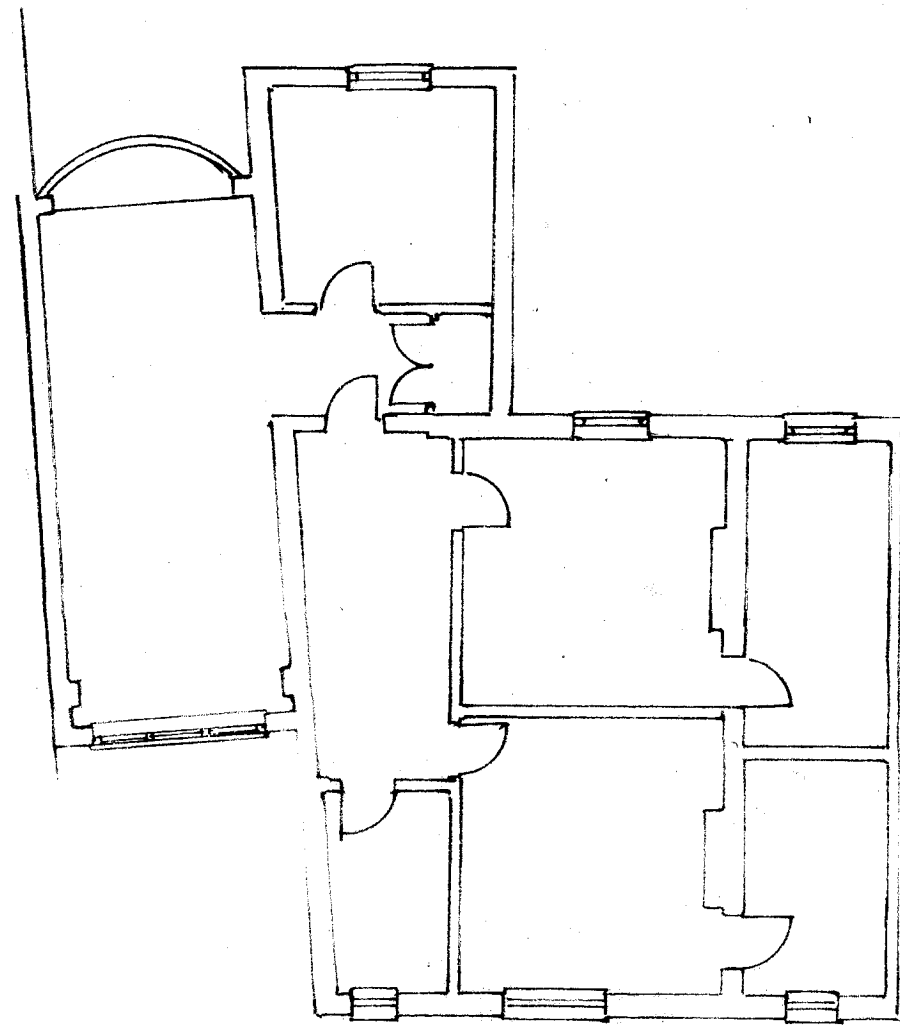
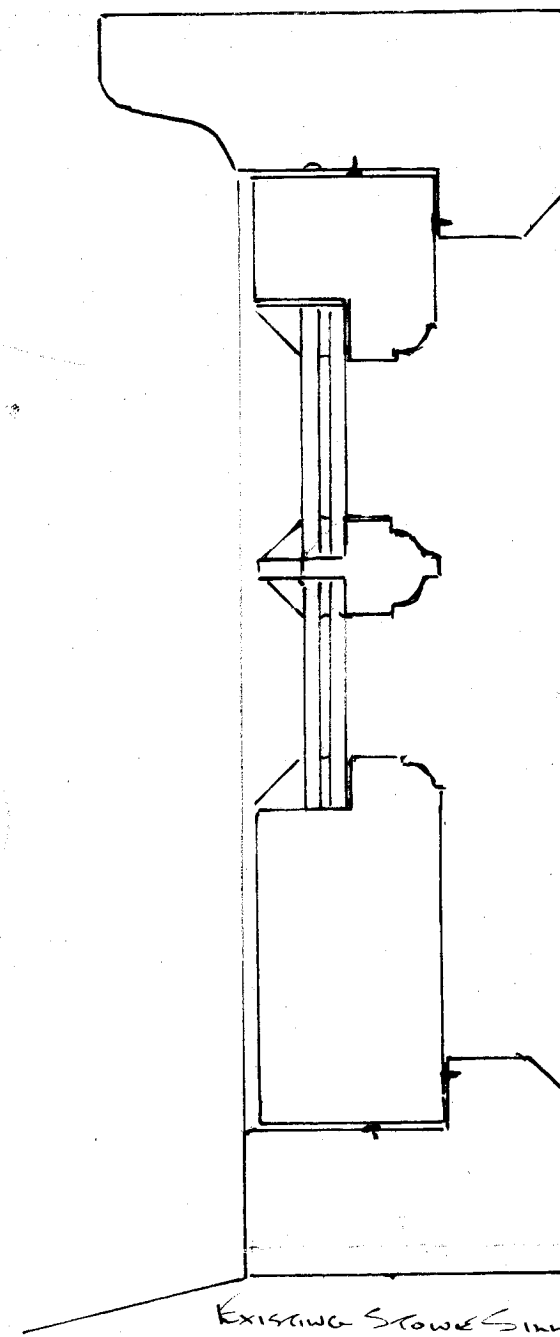


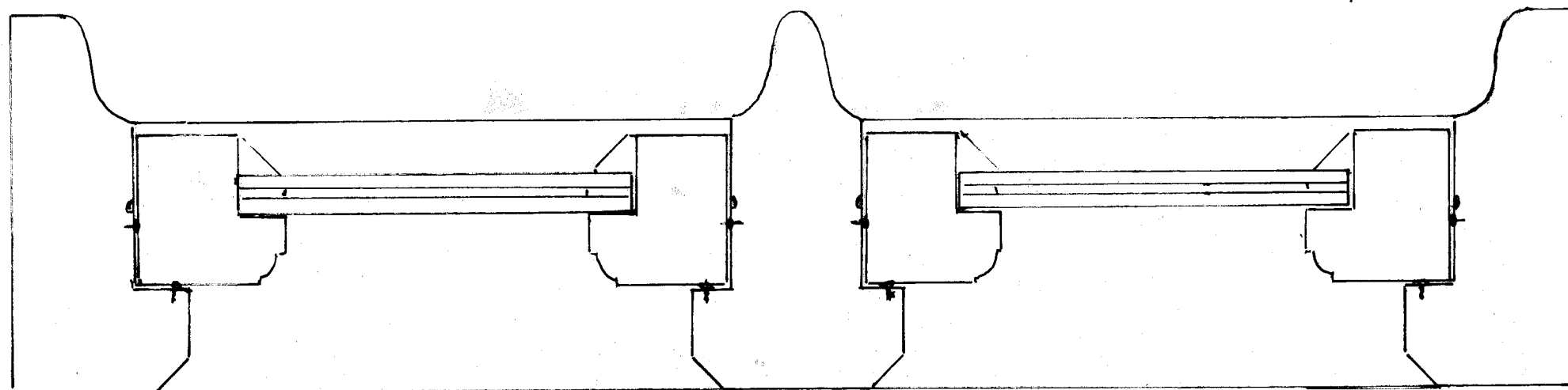
Ground Floor Scale 1/100



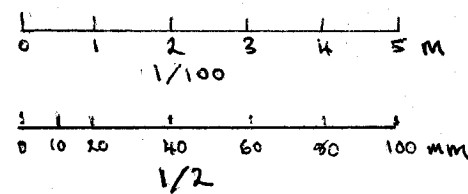
First Floor Scale 1/100



VERTICAL SECTION  
SHOWING GENERAL  
PROFILE OF BRASS  
CASEMENT, SILL  
& HEAD OF  
WINDOWS  
A, B, C, D, E, F  
SCALE 1/2



HORIZONTAL SECTION  
SHOWING GENERAL PROFILE  
SIDE LEAD FRAME & CASEMENTS  
FOR WINDOWS  
A B C D E F SCALE 1/2



PROPOSED REPLACEMENT WINDOWS  
FOR MR & MRS C BURTOW  
MOUSE HALL FARM STILES RD SOUTHWOOD  
SURREY 1/12 PER 1/12 DATE 10.1.2022