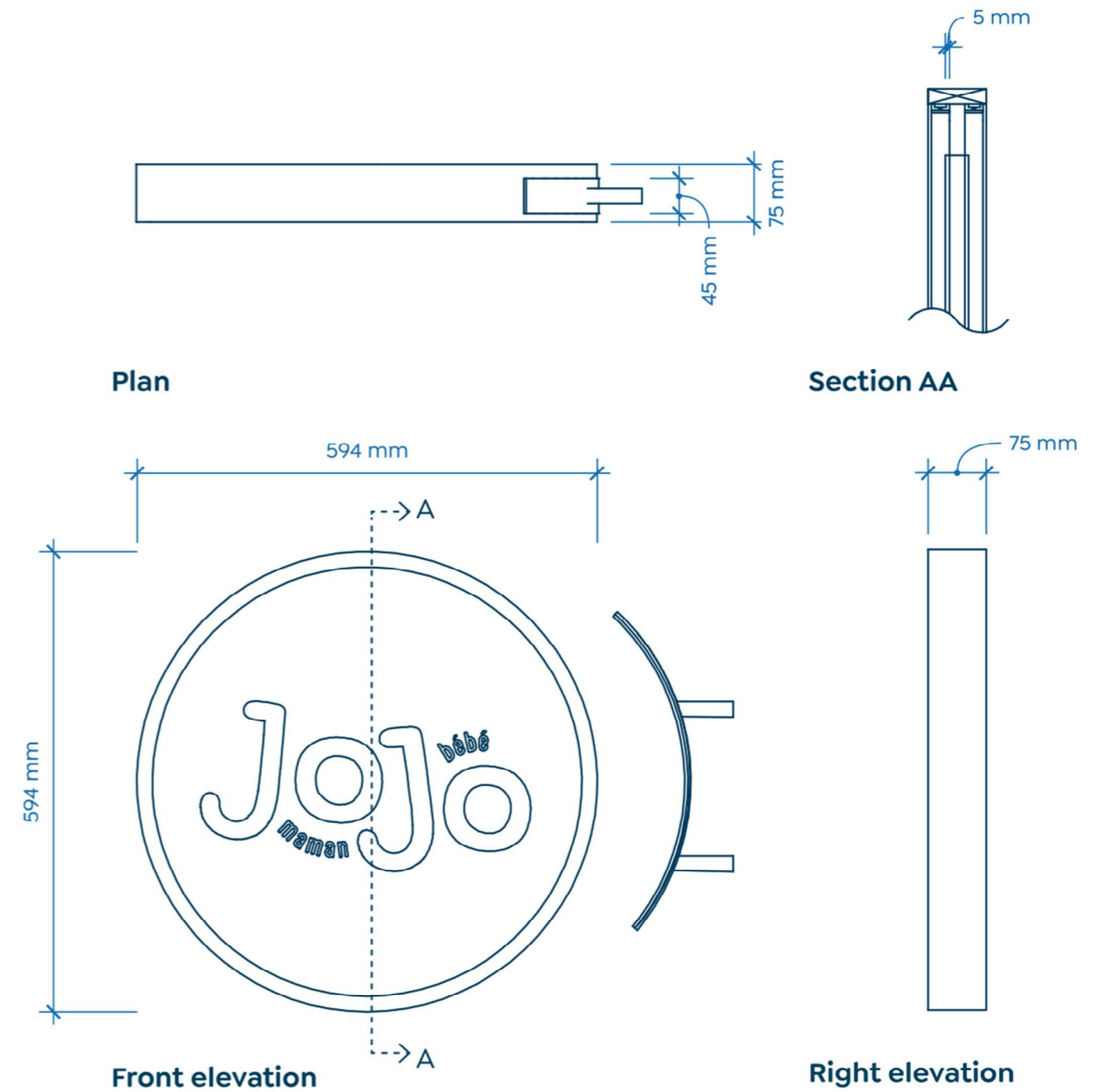




- 1 5mm lasercut acrylic adhered to fascia
RAL 9002 Matt
- 2 Folded aluminium powder coated sign
RAL 5008 HR
- 3 4k Hi intensity LED strip behind opal acrylic
strip around circumference of sign
- 4 Fixing bracket to be powder coated RAL 5008
HR



Jojo Maman Bebe
170-174 Great George St, Glasgow
Illuminated Hanging Sign

D AP103

31/01/2024