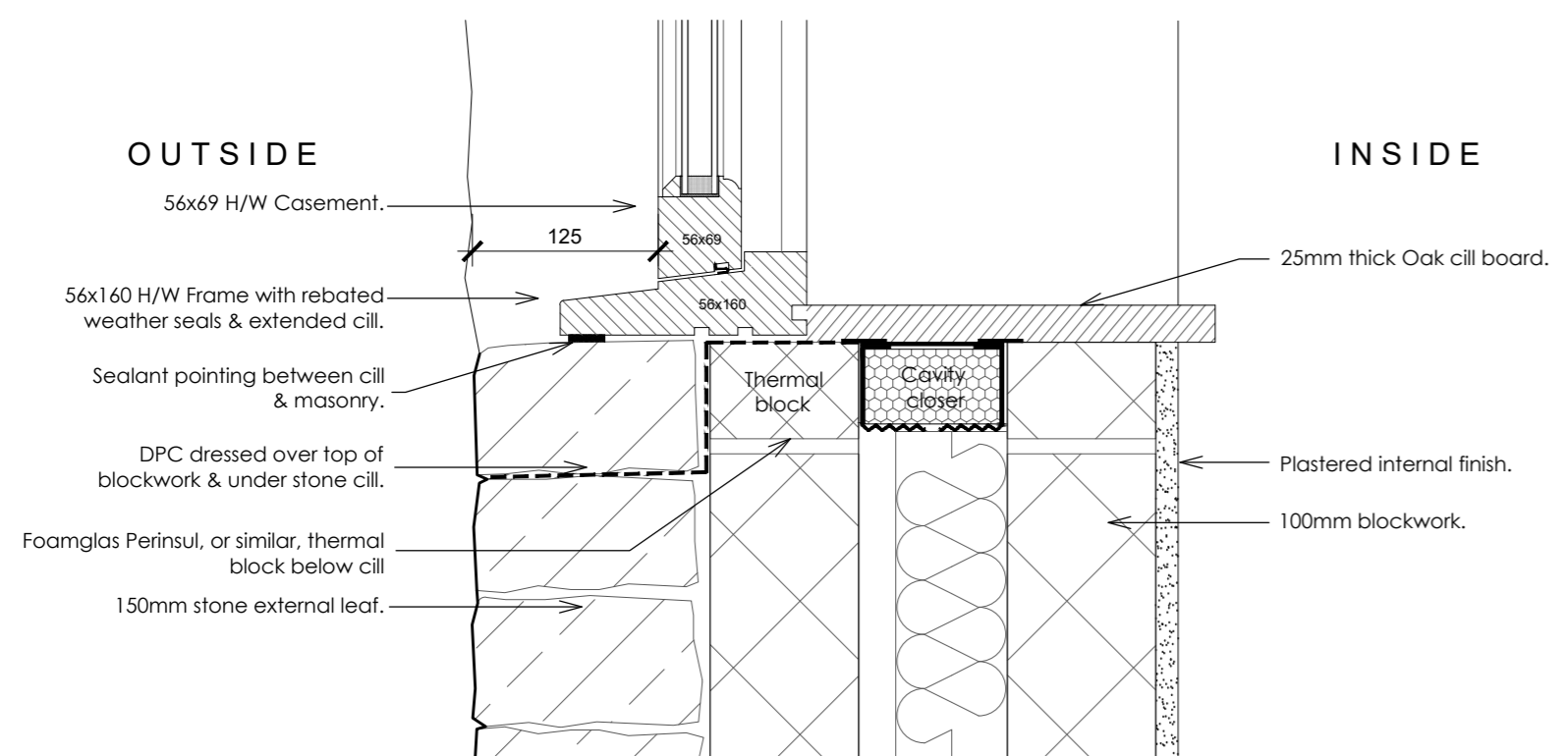
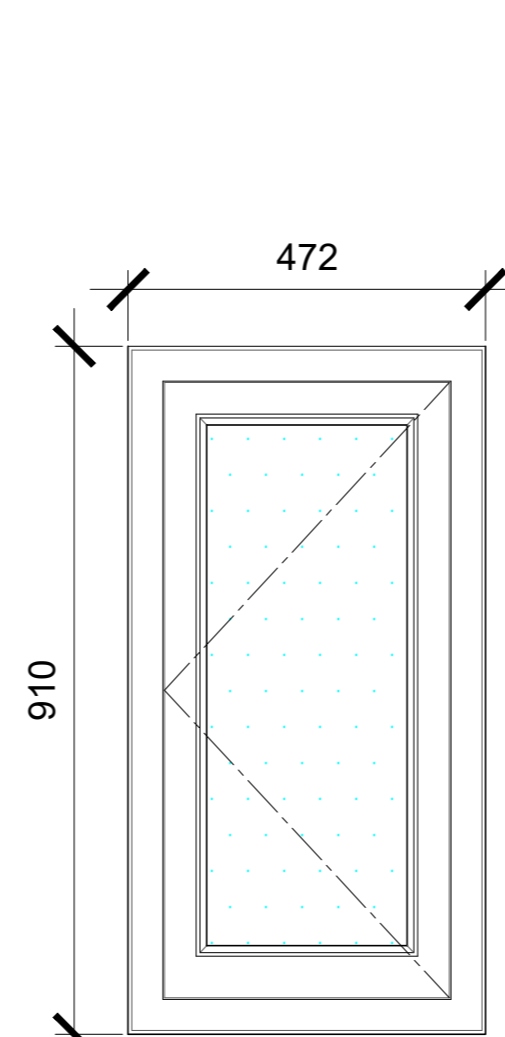


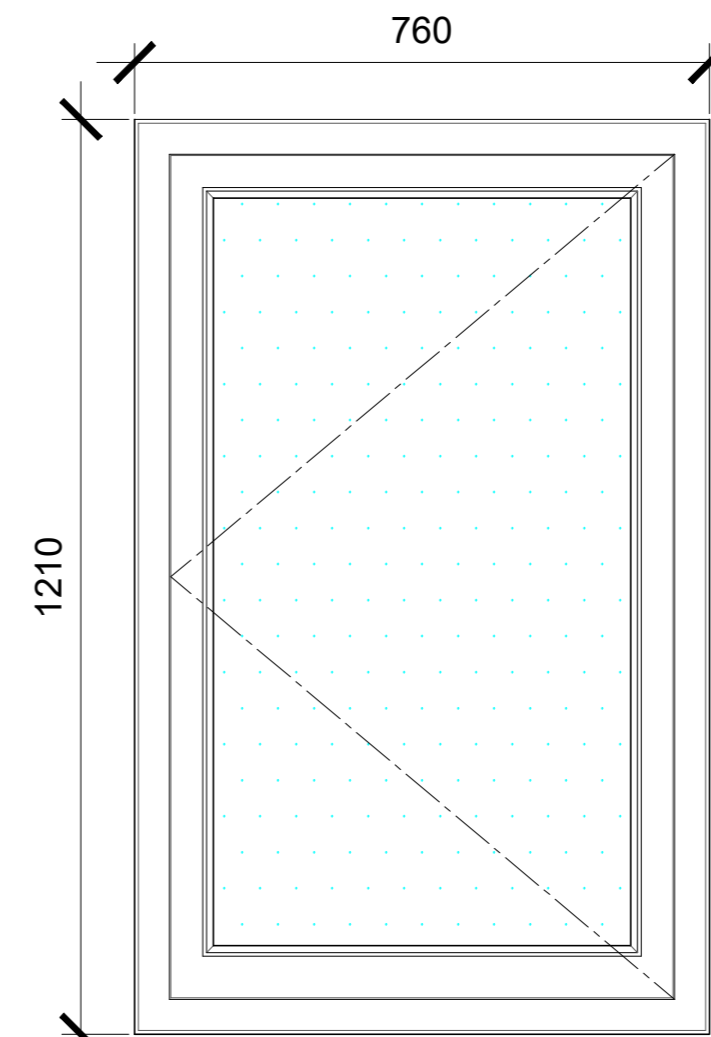
**Jamb & Mullion Details - 1:5**



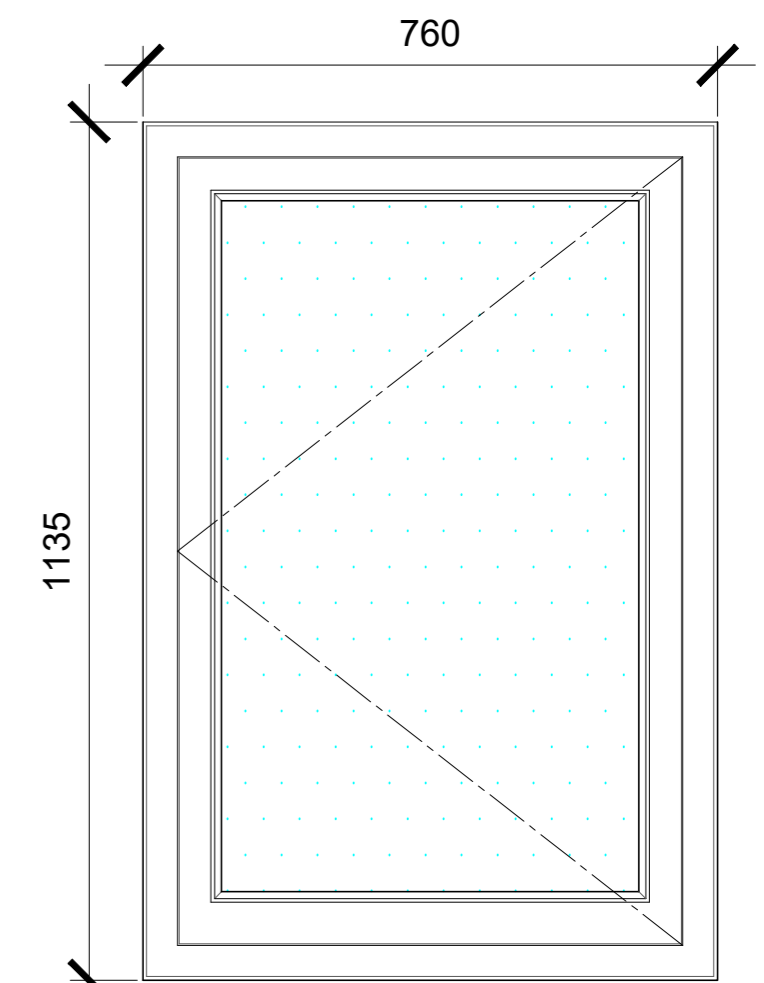
**Head & Cill Details - 1:5**



**Window WG01,02  
Elevation - 1:10**



**Window WG03 Elevation  
- 1:10**



**Window WG07 Elevation  
- 1:10**

Building Regulations			
revision	description	date	by

**Technical**

Use figured dimensions, DO NOT SCALE. Prior to use always ensure that the most up-to-date revision of this drawing is being used. This drawing is to be read in conjunction with separate Building Regulation Notes or Specifications and any separate drawings and details that have been produced by Tyack Architects Ltd for the same project. All drawings, notes, details and dimensions are to be checked prior to starting work and any discrepancies are to be reported immediately to Tyack Architects Ltd. IF IN DOUBT ASK!

Notwithstanding the representations on this drawing, all foundations, structural members and structural details are to be designed to comply in all respects with the Construction and Building Acts, and all their amendments. The contents of this drawing are subject to advice, details and specifications from a structural consultant before implementation. Tyack Architects Ltd cannot be responsible for accuracy if issued from any location other than their offices.

Scale 1:5 500mm



Tyack Architects Ltd  
The Mann Institute  
Oxford Street  
Morilton-in-Marsh  
Glosoucestershire  
GL56 0LA  
t: 01608 650 490  
f: 01608 651 963  
e: mail@tyackarchitects.com  
w: tyackarchitects.com

**Proposed New Garage  
Window Details - WG01-03 & 07**  
Lower Marsh Farm, Marshmouth Lane  
George Spooner  
Scale: 1: 10@A2 Date: Jan 2024  
Drawn/Checked: NG/CB Drg No: 3029-430 Rev: