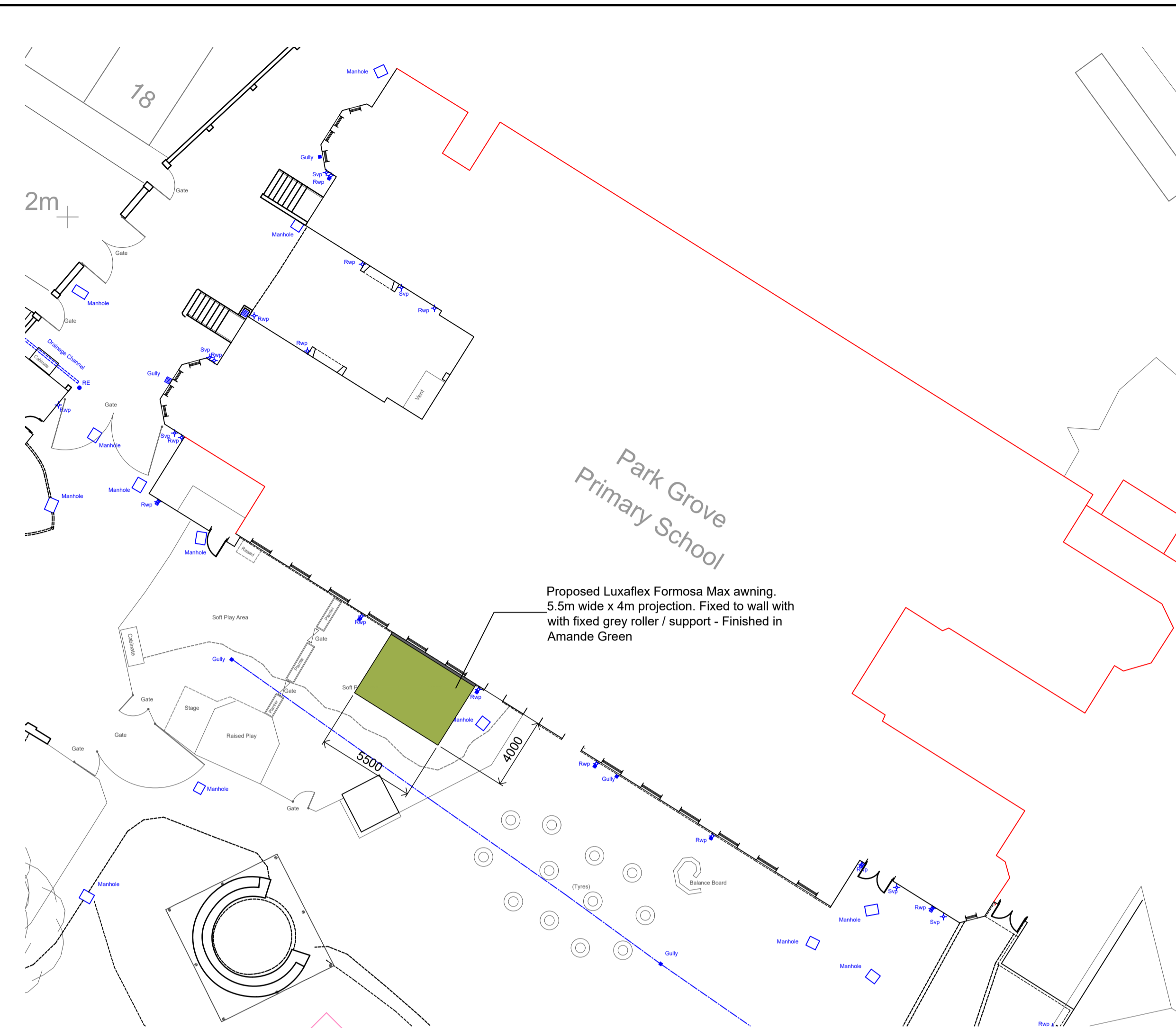
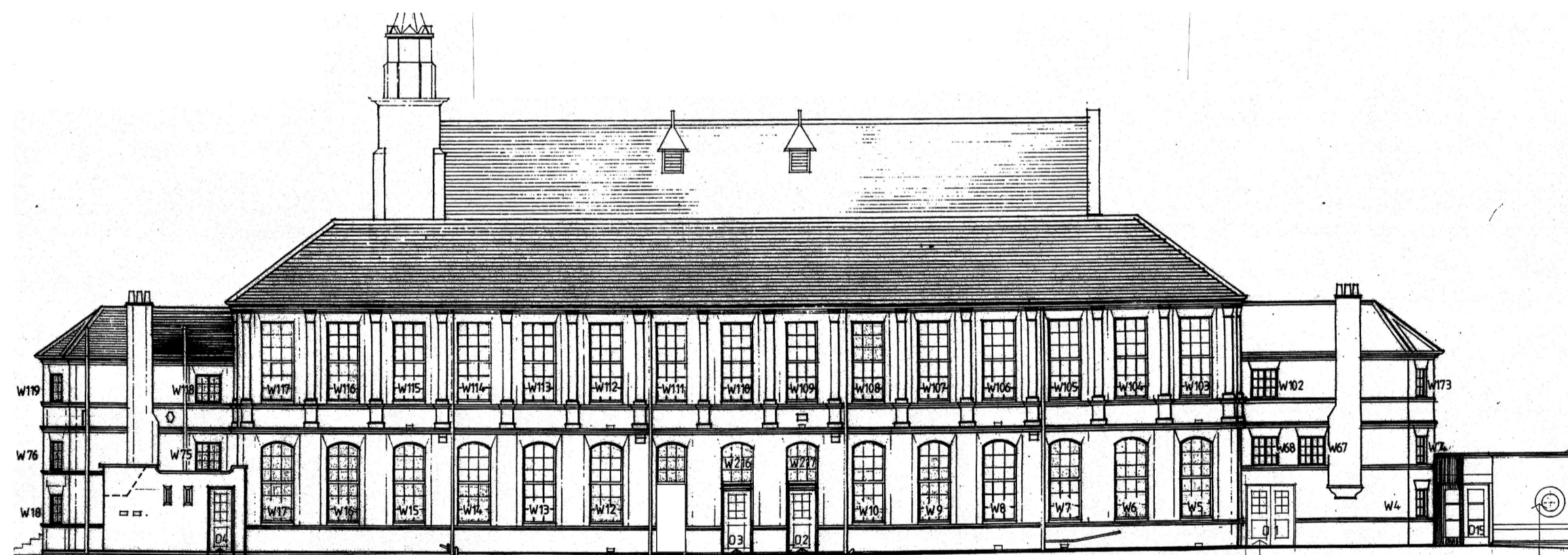


Existing Floor Plan
Scale 1:200

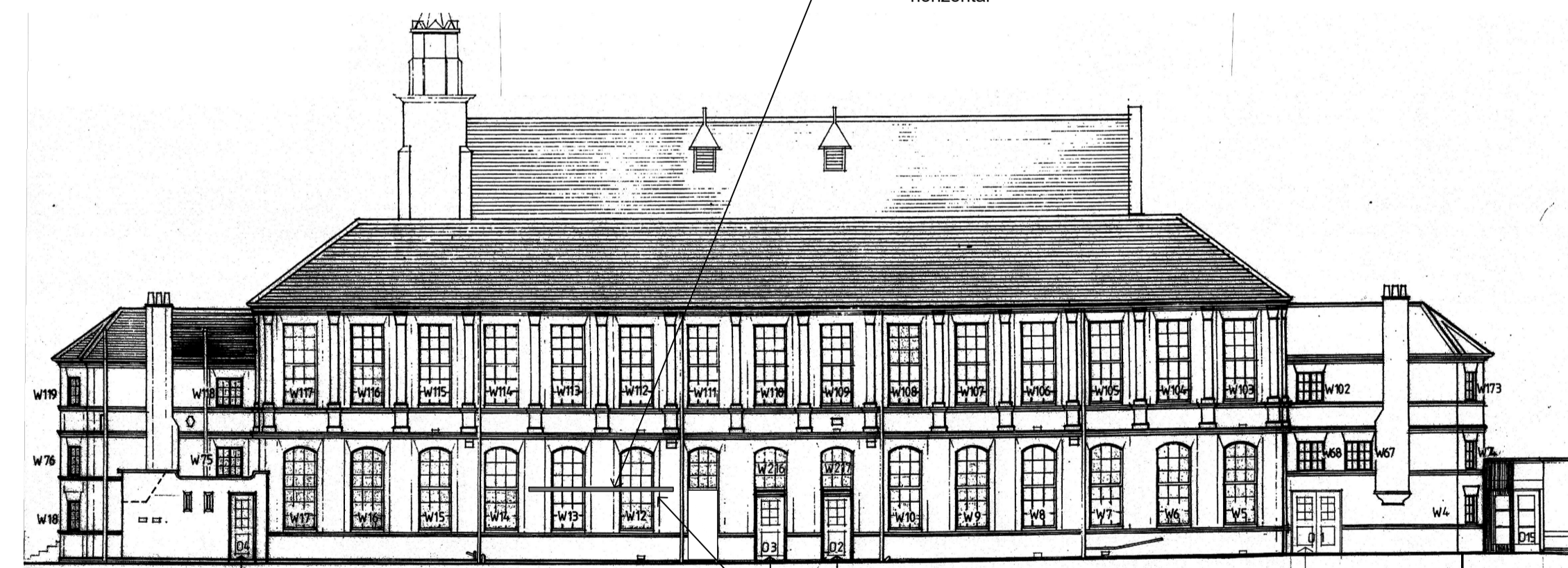


Proposed Floor Plan
Scale 1:200

Proposed Luxaflex Formosa Max awning.
5.5m wide x 4m projection. Fixed to wall with
with fixed grey roller / support - Finished in
Amande Green



Existing Elevation
Scale 1:200



Proposed Elevation
Scale 1:200

Proposed Luxaflex Formosa Max awning.
5.5m wide x 4m projection. Fixed to wall with
with fixed grey roller / support - Finished in
Amande Green. Note awning projects 'flat' or
horizontal

Proposed Awning to be fixed at mid spar of
window. Windows will not be adjusted.
Minimal bolt fixings into wall

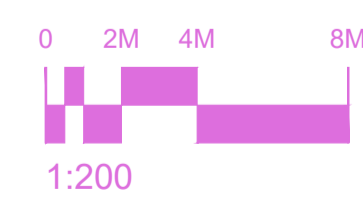
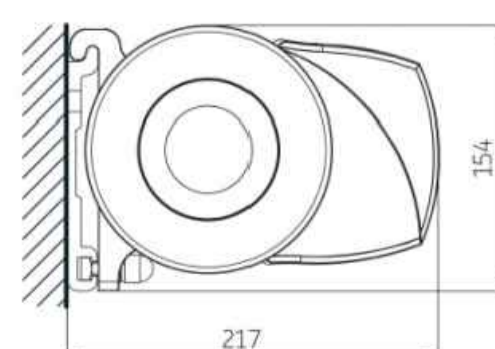
- Notes:
1. Awning fixing bracket finished in Grey
 2. Awning colour mid Green
 3. Awning projects flat.



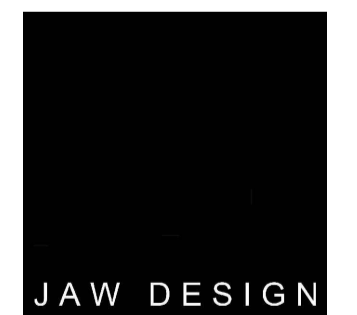
Amande
ORC 7244 120



Wall mounting



Proposed Awning Colour Proposed Awning Design



Architectural Design ■ Leisure Design ■ Consultancy
116 Westgate, Pickering, North Yorkshire YO18 8BB
Tel : 07397 533212 Email : jonathan@jawdesign.co.uk

SUFFIX LETTER	REVISION	INITIAL & DATE
CLIENT Ebor Academy Trust		
PROJECT TITLE Proposed Playground Awning Park Grove Primary Academy		
DRAWING TITLE Existing and Proposed Layouts		
A1 © 2023323		A101

Drawn by	Date	Scale
JAW	Mar 2024	1:100
Checked by	Date	Revision