

KITCHEN EXTRACT

ESP RANGE

1500 | 3000 | 4500 | 6000

purified[®]air

COMMERCIAL KITCHEN FILTRATION EXPERTS

Purified Air Ltd. has been manufacturing and servicing market-leading technology to filter and control oil, smoke, fat and odour produced by commercial kitchens and residential installation and service since 1984.

CONTENTS

02	TECHNICAL OVERVIEW	
	Key Features	02
	ESP Technology	03
	How It Works	04
	Benefits of ESP	05
	Technical Specification	06
08	ABOUT US	
	An Overview	
	Our Coverage	
09	GET IN TOUCH	
	Contact Details	

KITCHEN EXTRACT

ESP RANGE

1500 | 3000 | 4500 | 6000



Our ESP's have been specifically designed for kitchen extract systems; they have integral sumps to collect the oil, grease and smoke particles filtered out of the exhaust.

This not only simplifies servicing but eradicates potentially dangerous spillage from the bottom of the units and greatly cuts down on build-ups of grease within the ducting.

The ionisation voltage has been designed to run at a negative potential which enhances the ionisation of particles and also produces more ozone which is helpful in reducing cooking odours.

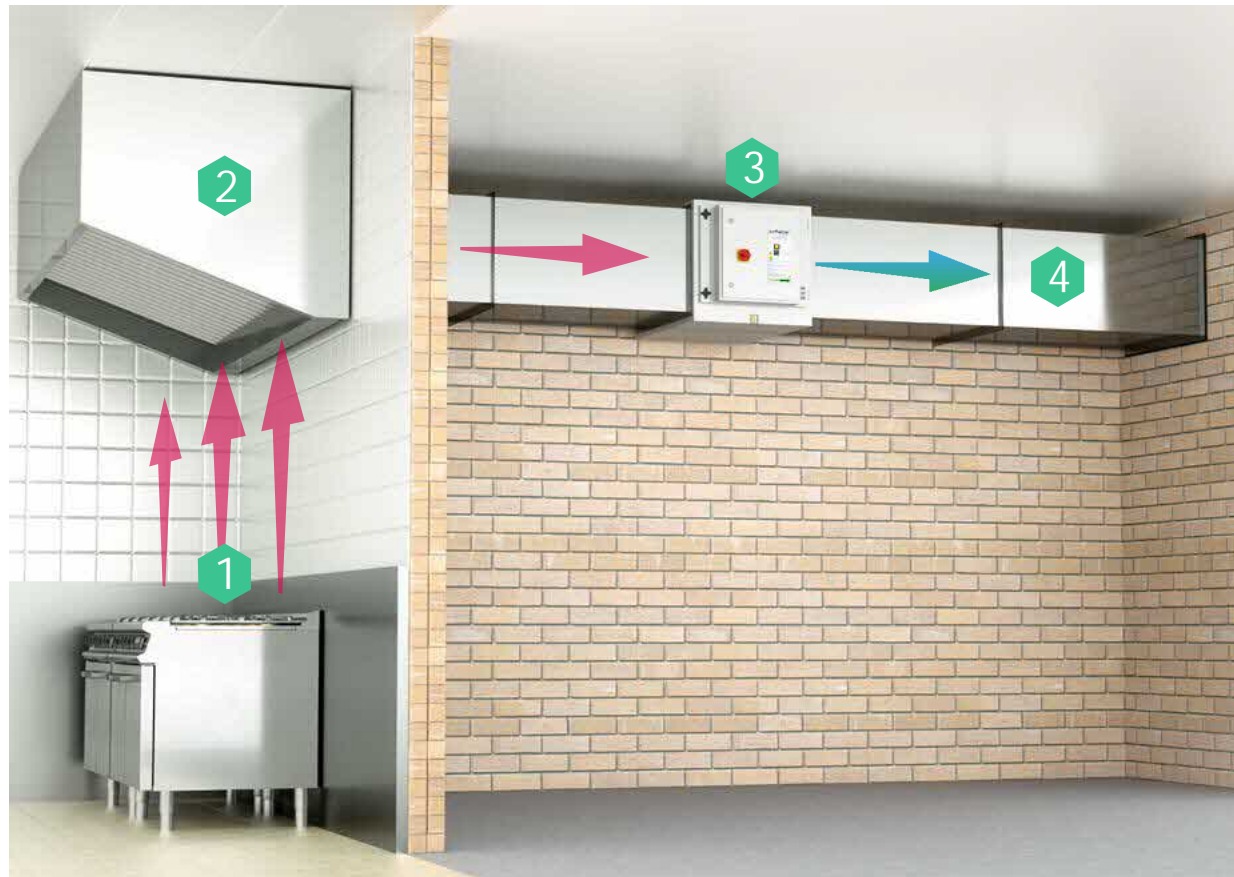
KEY FEATURES

- Eliminates up to 98% of oil, grease and smoke particles
- Filters particles down to sub-micron levels
- Produces Ozone to help reduce malodours
- Designed with an integral sump
- Modular in design
- Specifically designed for commercial kitchen application
- Energy efficient: - uses no more than 50W
- Greatly reduces grease build-up within the duct run
- IP65 rated for outside location

FILTERS REMOVE



HOW IT WORKS



Our ESP units fit in-line with the kitchen ducting and can be configured modularly to cope with all extract volume requirements.

- 01** Cooking particulates and odours

02 Canopy Grease Filter
- 03** ESP - Particulate Control Unit

04 Airflow



Design

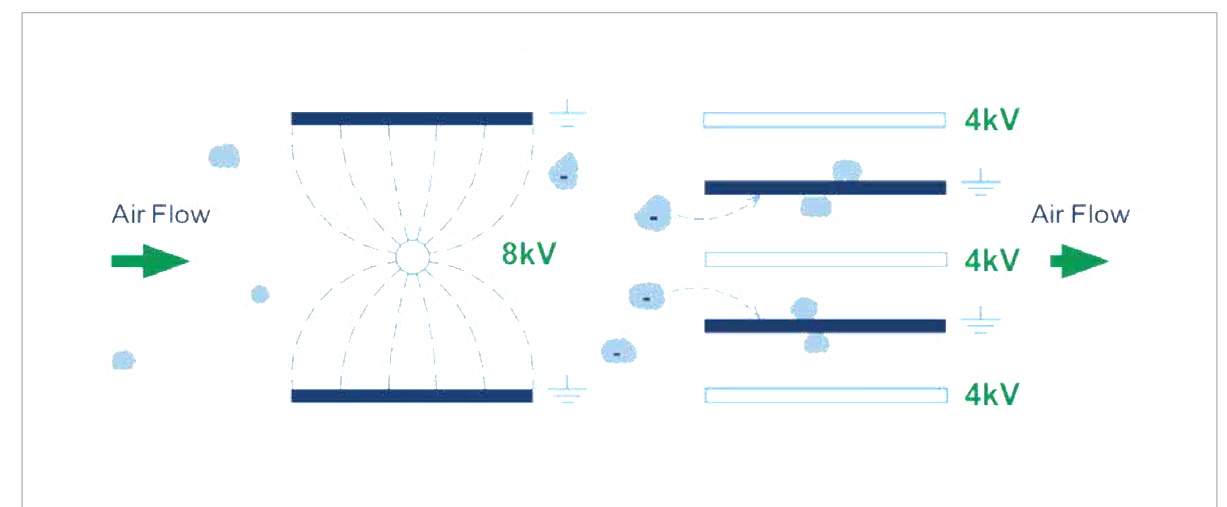


Manufacture



Maintain

THE ELECTROSTATIC PROCESS



The above diagram shows, in a basic visual, how an electrostatic precipitator works. As air passes into the combined ioniser / collector cell, the particulates in the air stream are polarised. As they continue through the ioniser and

between the collector cell plates, the polarised particulates are repelled away from the positively charged plates and attracted to the earthed plates where they stick and so are filtered out of the air flow.

THE BENEFITS OF ELECTROSTATIC TECHNOLOGY



Eliminates up to 99% of particles



Filters particles down to sub-micron levels



Modular design



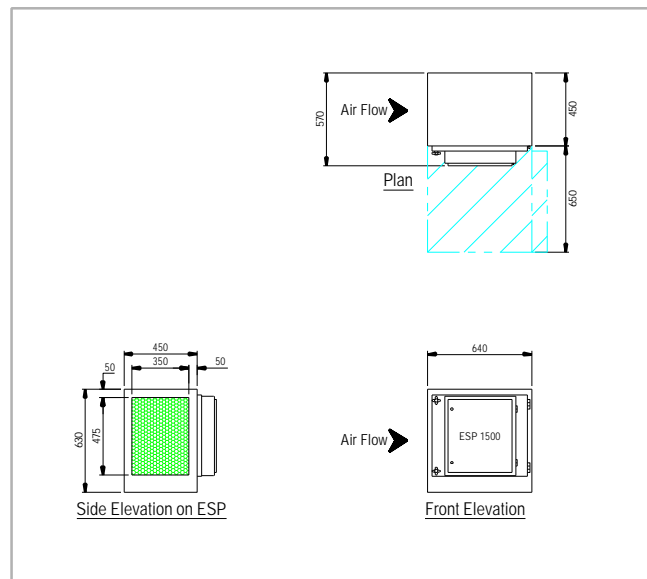
Energy efficient

TECHNICAL SPECIFICATION

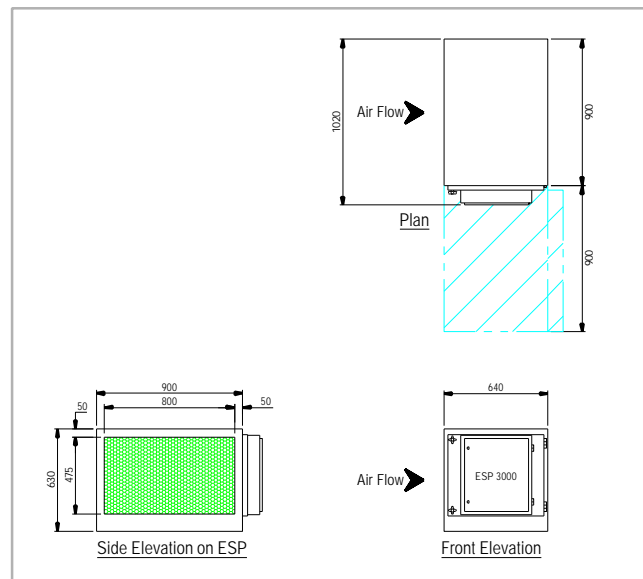
	ESP 1500	ESP 3000	ESP 4500	ESP 6000
Supply	220-240 V 50HZ	220-240 V 50HZ	220-240 V 50HZ	220-240 V 50HZ
Power Consumption	20 _w	30 _w	40 _w	50 _w
Maximum Airflow	0.7 M ³ /SEC (UP TO)	1.4 M ³ /SEC (UP TO)	2.1 M ³ /SEC (UP TO)	2.8 M ³ /SEC (UP TO)
Dimensions (mm)	W 450 H 630 D 640	W 900 H 630 D 640	W 1350 H 630 D 640	W 1800 H 630 D 640
Weight	55 _{KG}	85 _{KG}	118 _{KG}	153 _{KG}

DRAWINGS

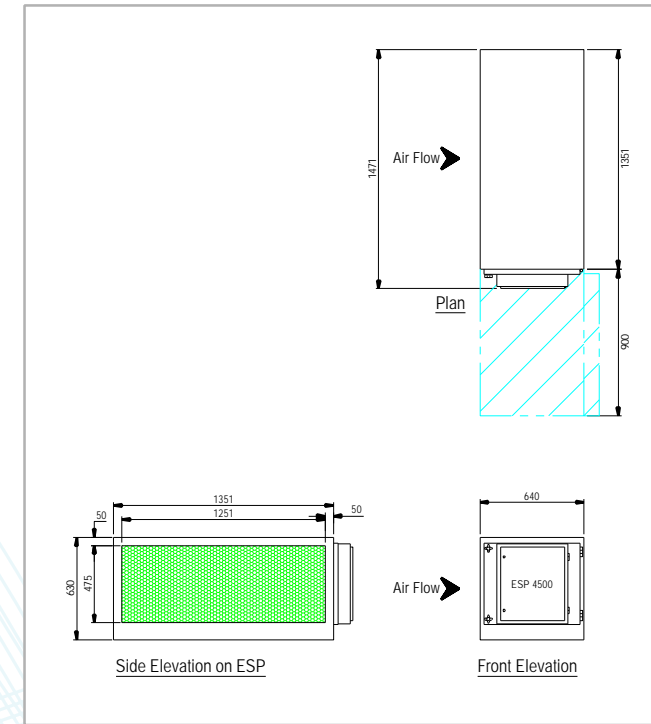
ESP 1500



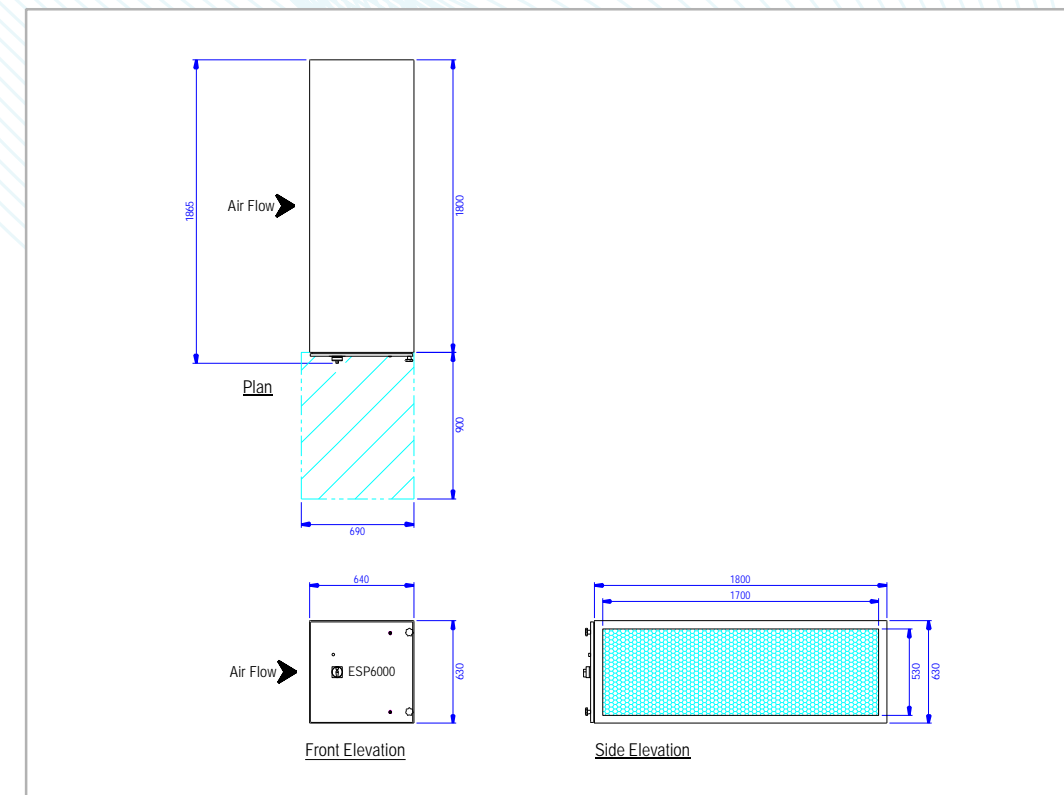
ESP 3000



ESP 4500



ESP 6000





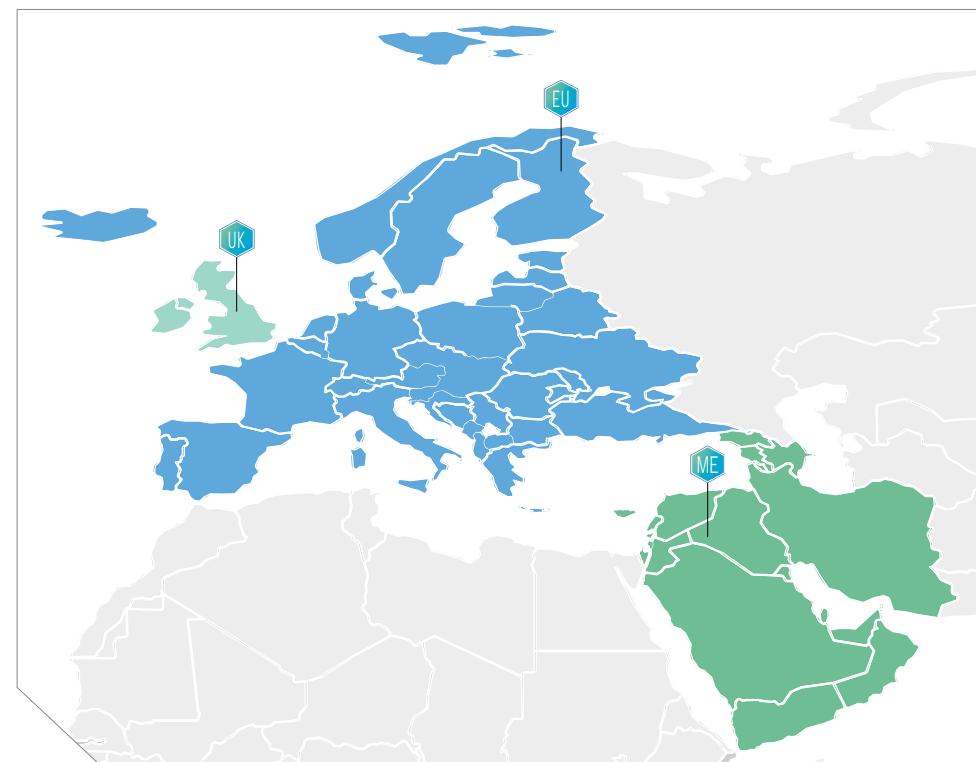
ABOUT US

Purified Air Ltd. has been striving to find the best and most cost-effective way to filter and control oil, smoke, fat and odour produced by commercial kitchens and residential installation and service since 1984.

Purified Air manufactures filtration and odour control products for stock and bespoke systems, supplying systems to many sectoral brands. The design of each solution is based on the type of food cooked, the cooking process used, and the extracted air volume providing tried and tested purified kitchen exhaust air for Fast Food, Casual Dining and Luxury Concept Restaurant (Fine Dining) markets. By working with these variables, we can design and supply some of the world's best commercial kitchen filtration and odour control systems.

WORLDWIDE COVERAGE

- United Kingdom
- Middle East
- Europe



GET IN TOUCH

- ☎ [Redacted]
- ✉ [Redacted]
- 📍 Purified Air Limited, Lyon House
Lyon Road, Romford,
Essex RM1 2BG

purifiedair.com



purified↔air[®]

purifieda.ir.com