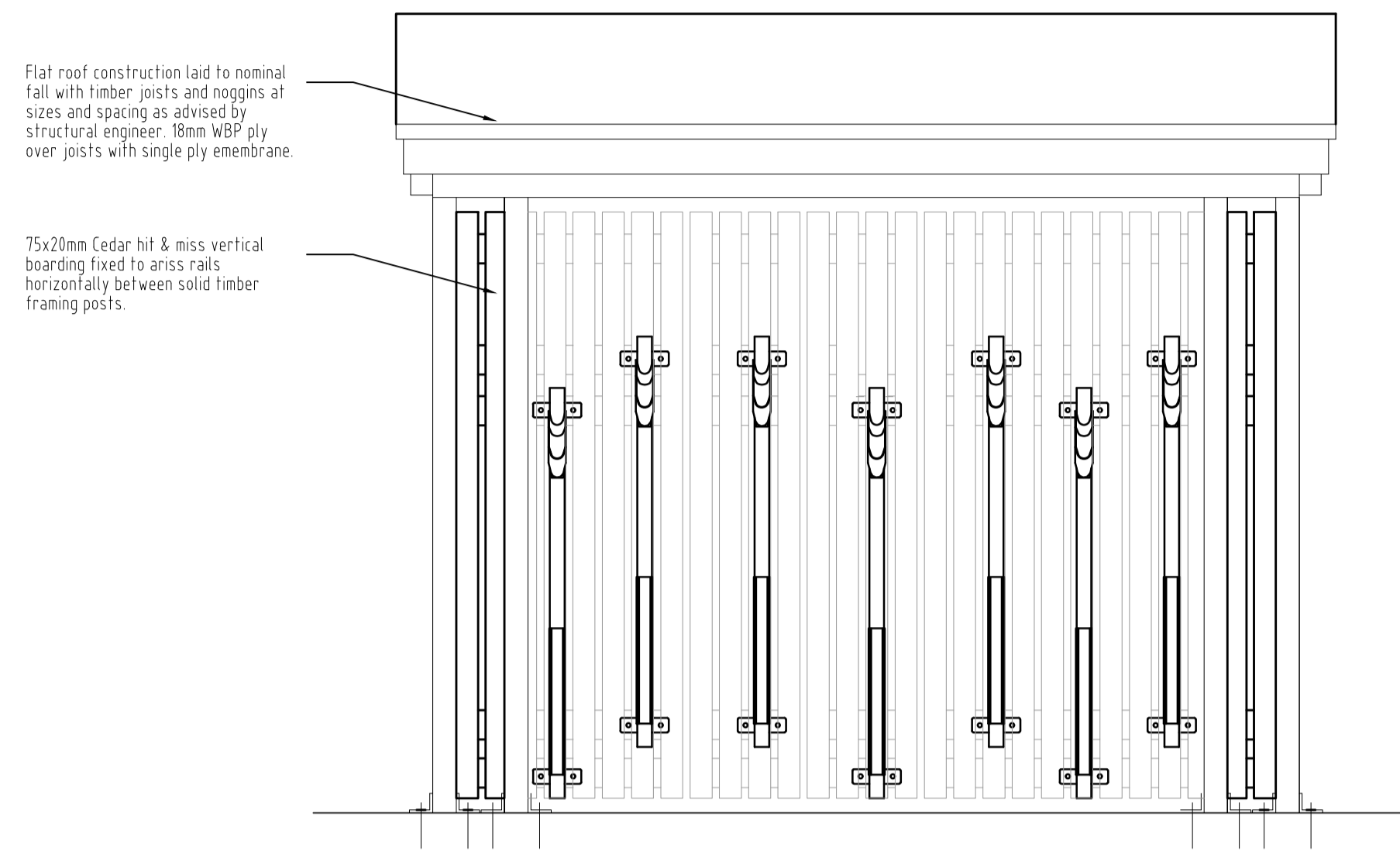
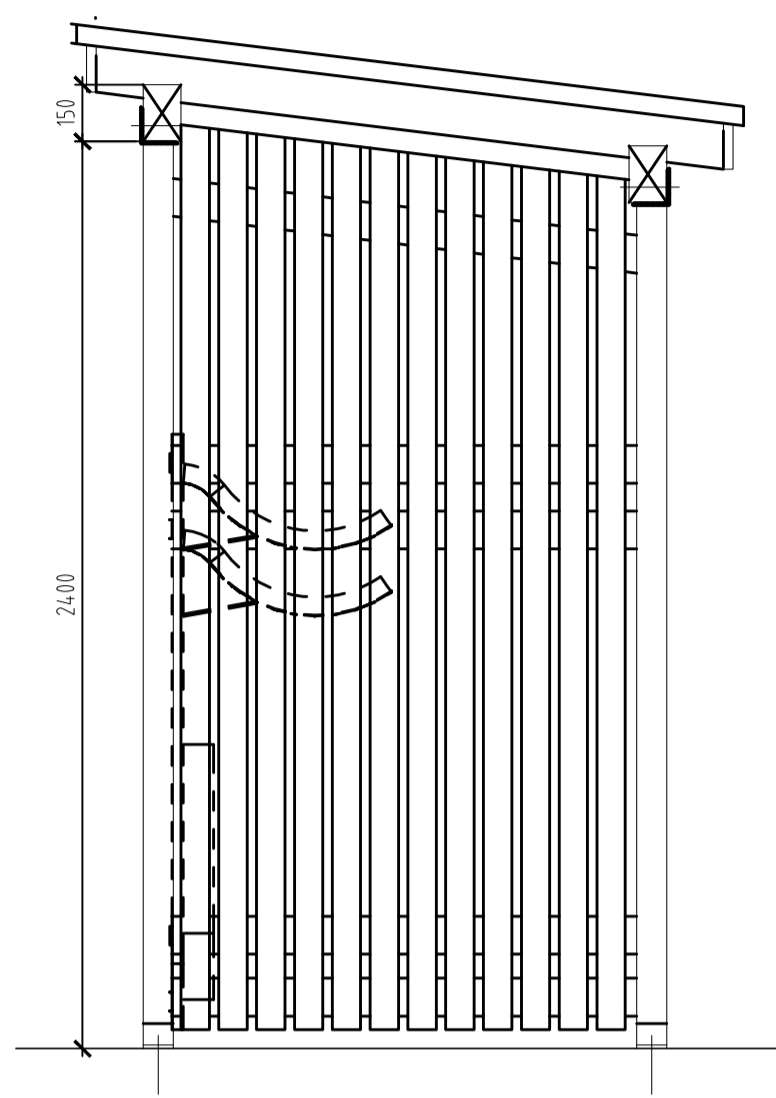


**Note:-**

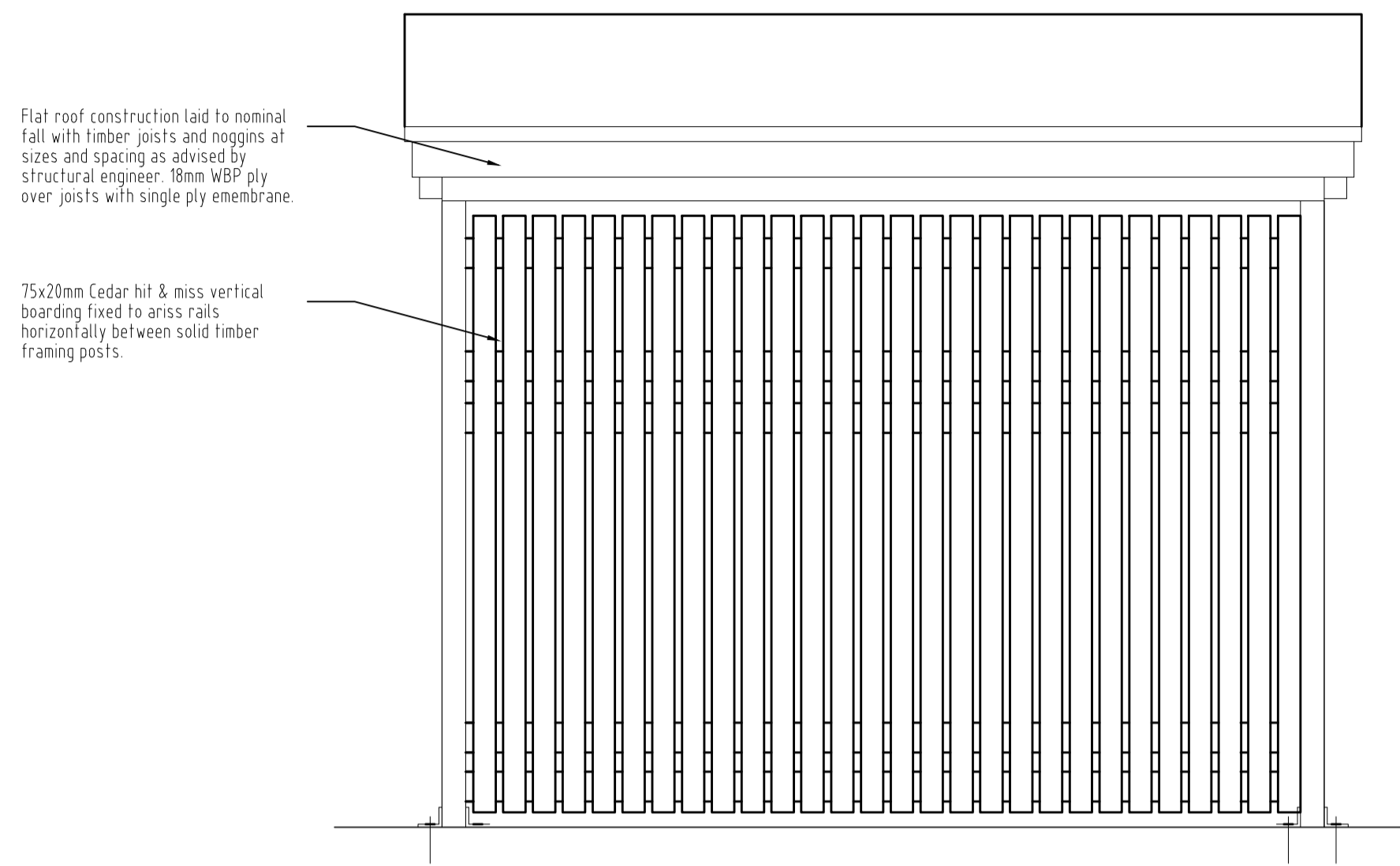
- All dimensions where indicated are approximate and are for guidance purposes only. Actual dimensions should be checked on site.
- Contractor to assume design responsibility under CDM2015.
- Note, all structural information noted should be checked against detailed structural engineers information / calculation sheets.



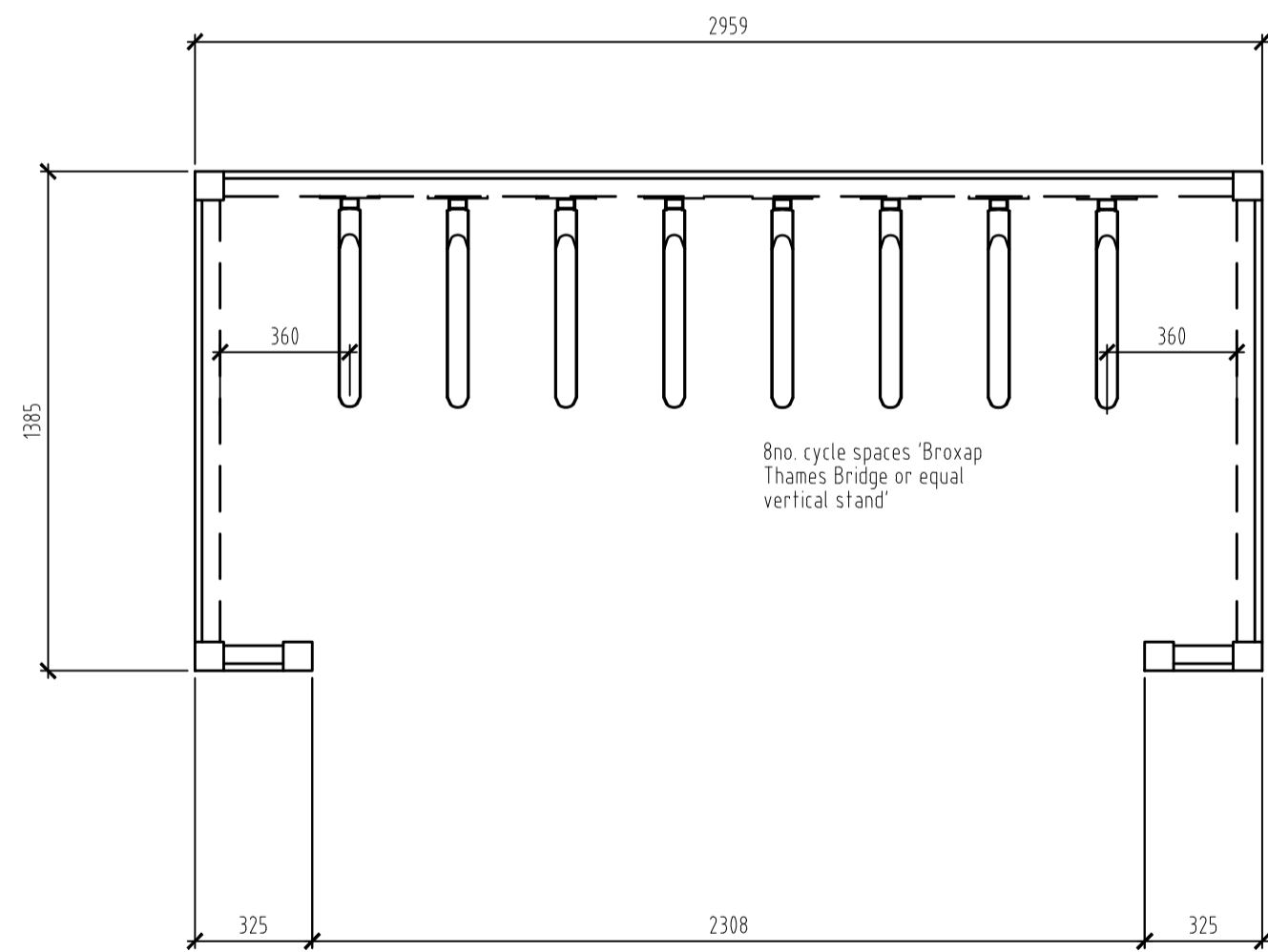
Front Elevation



Side Elevation



Rear Elevation



External Cycle Store Enclosure  
Scale 1:20

REV	DESCRIPTION	DATE	INT	CHKD
STATUS	FOR INFORMATION			

Client

Project  
10 Blackfen Road, Sidcup, Kent, DA15 8SN

Title  
Cycle Enclosure

Scale	Date	Drawn	Checked
1:20@A1	August '22	N/A	N/A
Project No:	Drawing No.	Revision	
2022-171	203	-	