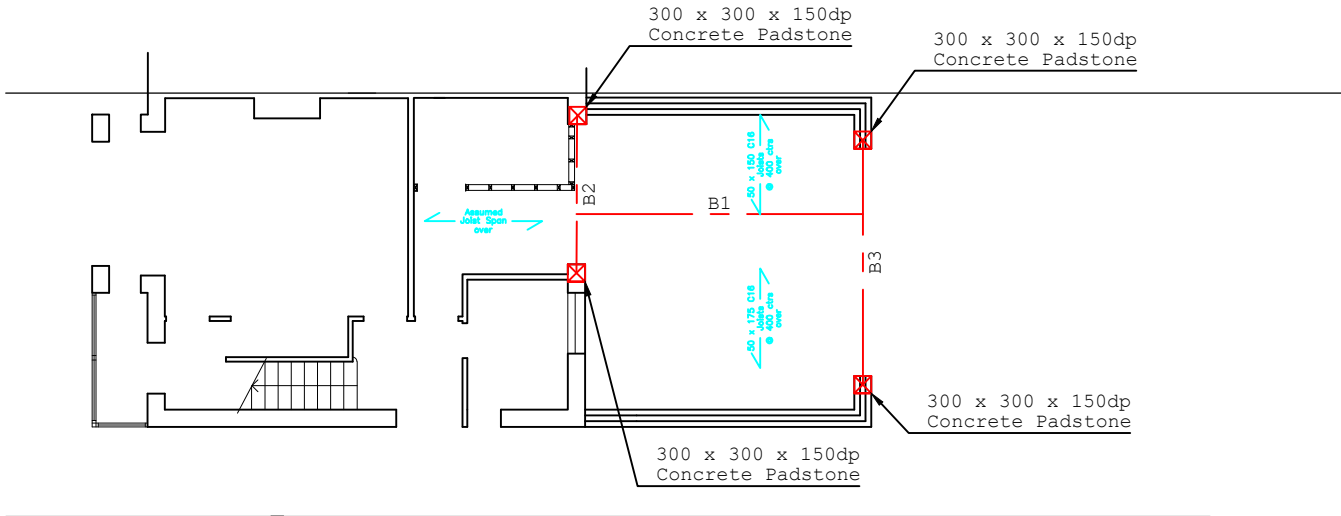


- Notes:
1. Do not scale from this drawing.
  2. All dimensions are in millimetres.
  3. All dimensions are to be checked on site before work proceeds.
  4. Any discrepancies on this drawing, actual or assumed or as related to specialist or consultants drawings, details, etc. are to be reported immediately upon discovery.
  5. The copyright of this drawing and design remain the Architects and may not be used without his express written permission.
  6. This is not a working drawing and should not be used as such.
  7. This drawing to be read in conjunction with:-  
Structural Calculations (if relevant),  
Drawing Notes and  
Drawing Nos. - 210617/02



Amendments

---

Job: 23, Stream Way,  
Belvedere,  
Kent.

---

Dwg: Structural Layout

- B1 254 x 254 x 73kg UC
- B2 254 x 254 x 73kg UC
- B3 254 x 254 x 73kg UC

**Priory Design Associates**

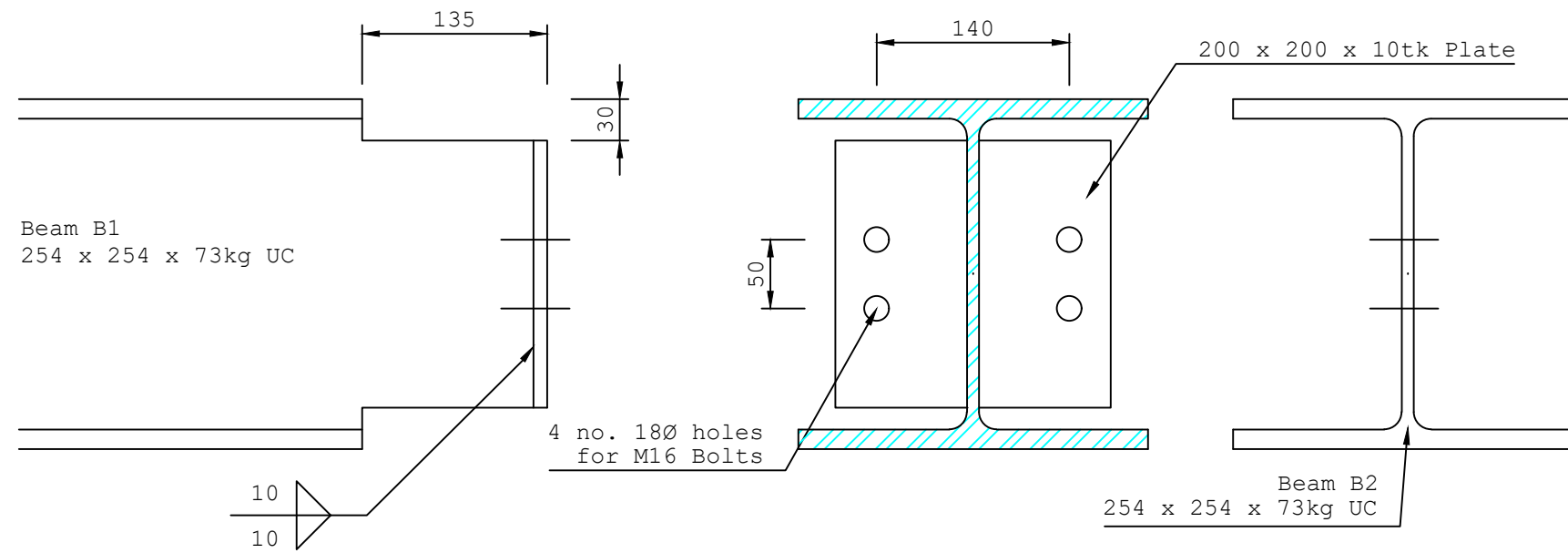
24, Coppice Close, Eastbourne, East Sussex BN20 9QH  
Tel: 01323 365872

Drawn: C.D.M.      Date: August 2021

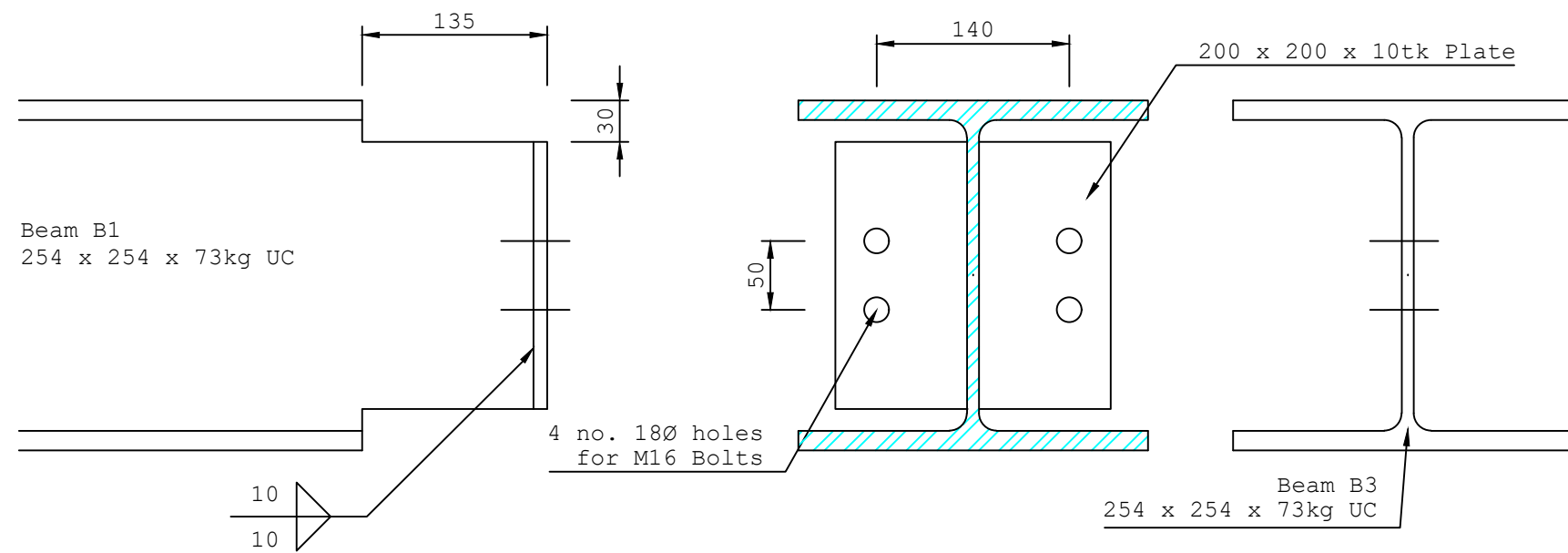
Scale: 1:100 @ A3

Dwg. No. 210617/01





Beam B1 to B2 Connection



Beam B1 to B3 Connection

Notes:

1. Do not scale from this drawing.
2. All dimensions are in millimetres.
3. All dimensions are to be checked on site before work proceeds.
4. Any discrepancies on this drawing, actual or assumed or as related to specialist or consultants drawings, details, etc. are to be reported immediately upon discovery.
5. The copyright of this drawing and design remain the Architects and may not be used without his express written permission.
6. This is not a working drawing and should not be used as such.
7. This drawing to be read in conjunction with:-  
Structural Calculations (if relevant),  
Drawing Notes and  
Drawing Nos. - 210617/01

Amendments

Job: 23, Stream Way,  
Belvedere,  
Kent

Dwg: Beam Connection Details

Priory Design Associates

24, Coppice Close, Eastbourne, East Sussex BN20 9QH  
Tel: 01323 365872

Drawn: C.D.M.

Date: August 2021

Scale: 1:5 @ A3

Dwg. No. 210617/02