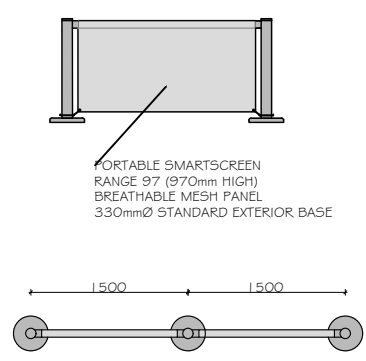
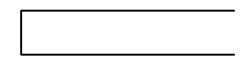
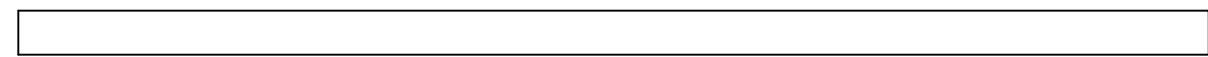
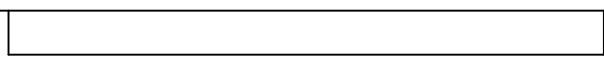
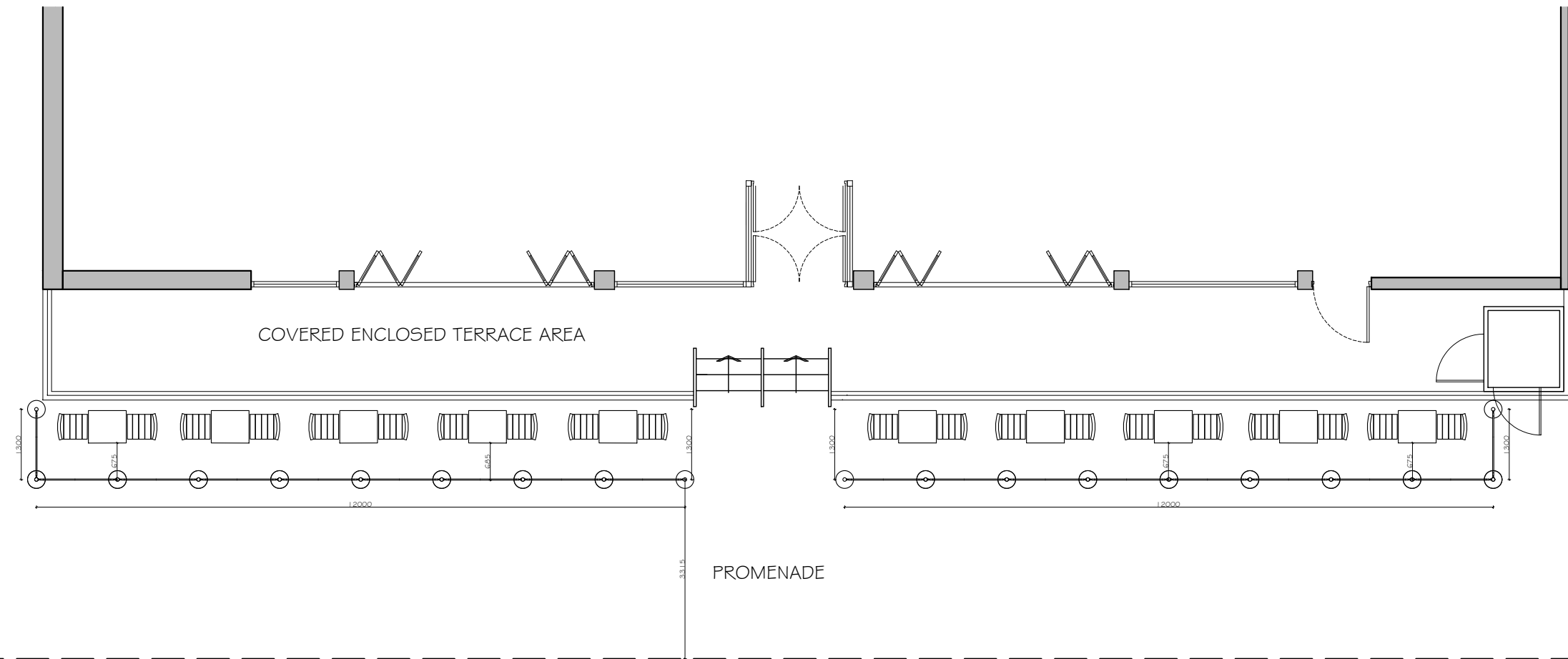
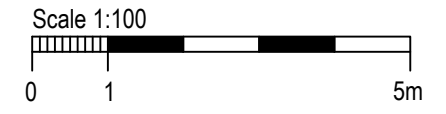


NOTE - Responsibility is not accepted for errors made by others in scaling from this drawing. All construction information should be taken from figured dimensions only



EXAMPLE OF BREEZEFREE BARRIER

SMART SCREEN OR CANVAS BARRIERS

**kdpa**

Basepoint Business Centre, Little High Street,  
Shoreham by Sea, West Sussex BN43 5EG  
+44 (0)1273 467518 www.kdpaine.co.uk

CLIENT	JD WETHERSPOON PLC	
PROJECT	PUB NO: 6902 THE PADDLE STEAMER, LARGS	
DRAWING	PROPOSED PAVEMENT CAFE LAYOUT	

SCALE	DATE	DRAWN
A3/1:100	Apr 24	MT
PROJECT No	DRAWING No	REVISION
7563	PL-03	C