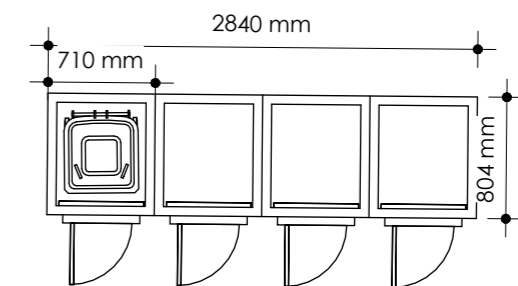
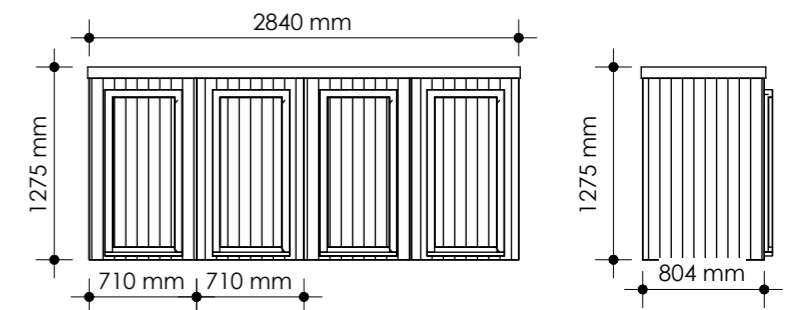
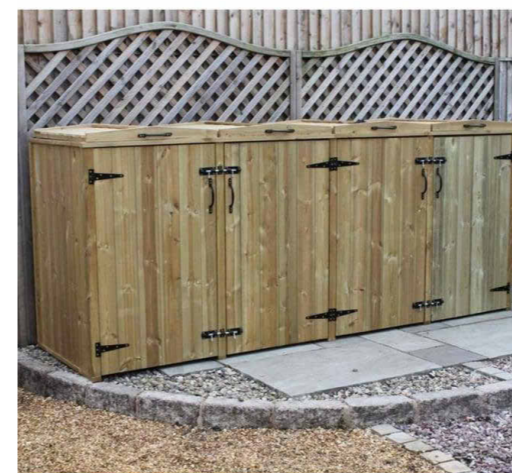
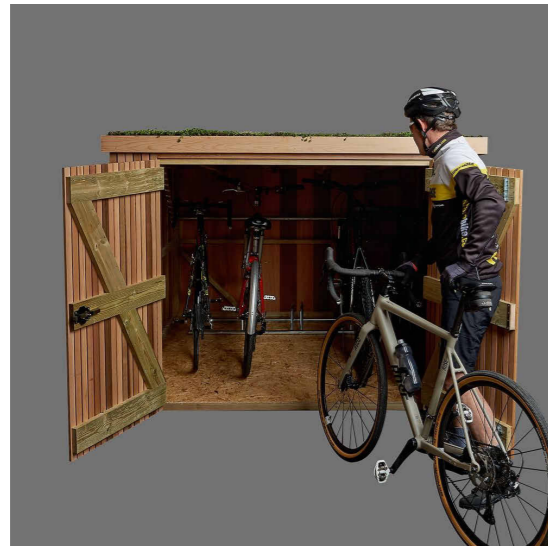


Proposed Bike Storage



Proposed Bin Storage



www.oxliving.co.uk

DESCRIPTION

PLANNING

STATUS

P

GENERAL NOTES:

THIS DRAWING IS FOR PLANNING USE ONLY DO NOT USE THIS DRAWING FOR ANY PURPOSE OTHER THAN FOR WHICH IT WAS ISSUED. STRUCTURAL DESIGN AND BUILDING CONTROL APPROVAL IS REQUIRED BEFORE CONSTRUCTION COMMENCES. THIS DRAWING IS SUBJECT TO COPYRIGHT DO NOT REPRODUCE THIS DRAWING WITHOUT PRIOR PERMISSION.

DETAIL

82 Arlington Dr, Headington, Oxford OX3 0SJ

SHEET

Proposed 9 Bike & Bin Storage

CLIENT

Ox Living

Date
06/04/2024

Project number
OXL-19

Scale (@ A3)
1 : 50

Drawn by
OF

DRAWING NUMBER

REV

Checked by
OF

OXL-19-24-06