

Scaled at 1:20 @ A3



4900mm x 1000mm

Main fascia to be a built up aluminium powder coated panel (coating to be confirmed). aperture cut for address and backed off with opal acrylic and internally illuminated with 50mm returns as shown in 3d visual (not to scale) The logo Wink. is be built up individual aluminum lettering powder coated the correct RAL (TBC) with 60mm returns and housed with 24V long lasting LED's giving a halo illumination.

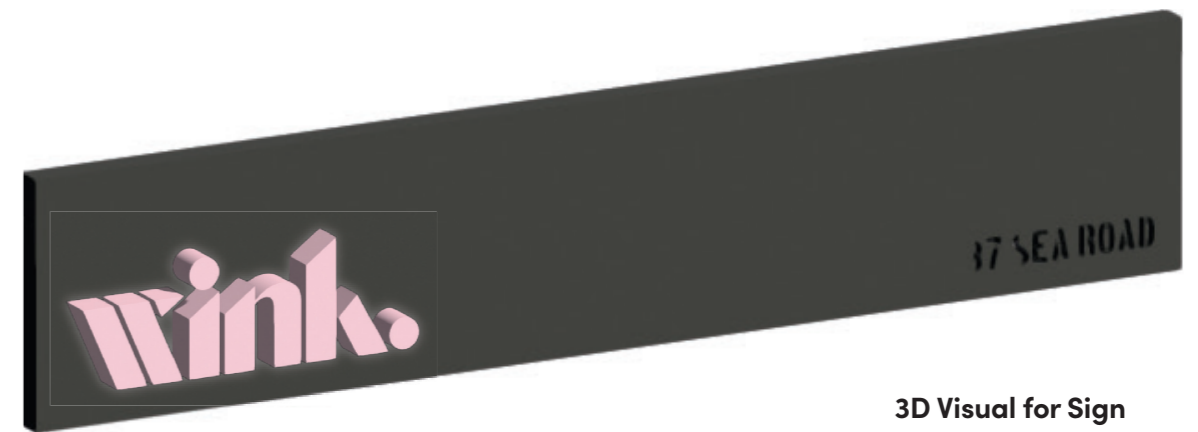
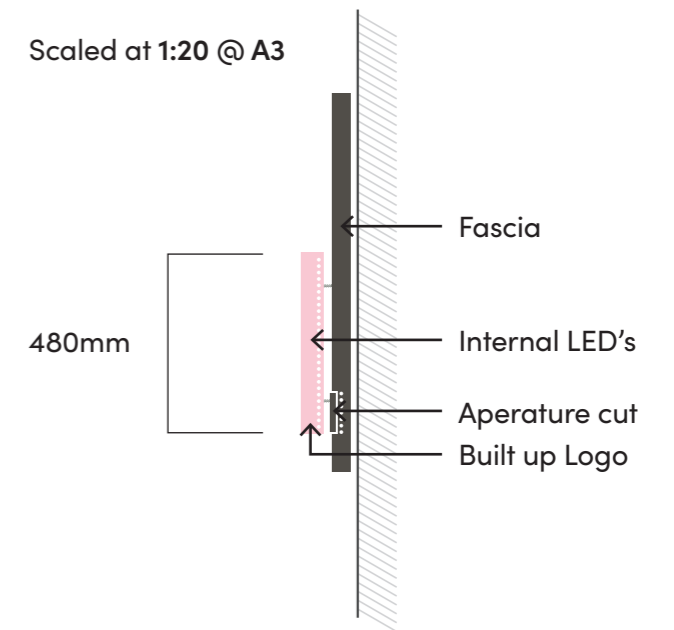
NOT TO SCALE



Scaled at 1:20 @ A3



Scaled at 1:20 @ A3



3D Visual for Sign