

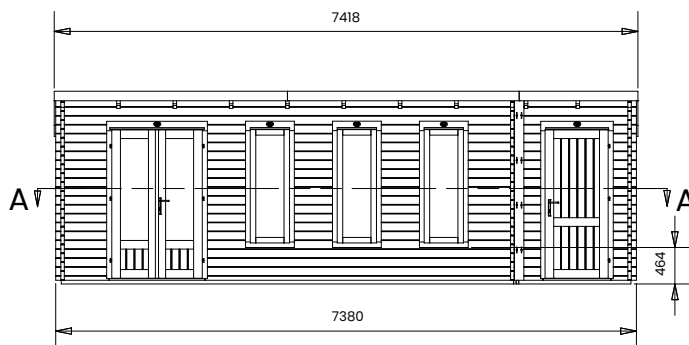
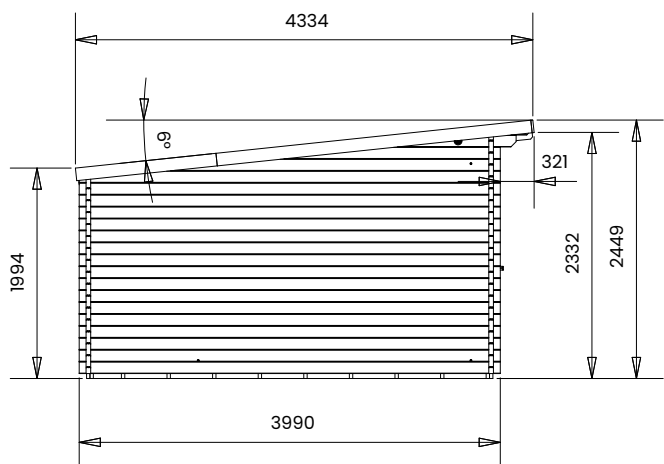
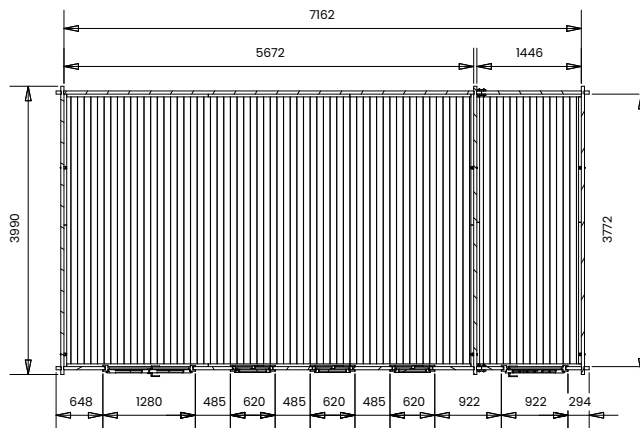


EvilAmy Multi Room Log Cabin

W7.5m x D4m



Section View A - A



Specification

- Overall External Dimensions: 7.41m x 4.33m (24' 3" x 14' 2")
- External Width: 7.38m (24' 2")
- External Depth: 3.99m (13' 1")
- Main Room Internal Width: 5.67m (18' 7")
- Main Room Internal Depth: 3.77m (12' 4")
- Main Room Internal Area (m²): 21.38
- Store Room Internal Width: 1.45m (4' 9")
- Store Room Internal Depth 3.77m (12' 4")
- Store Room Internal Area (m²): 5.47
- Ridge Height: 2.45m (8' 0")
- Roof Overhang: 0.32m (1' 0")
- Walls: 100% Slow-Grown Spruce
- Building Style: Strong Interlocking Tongue & Groove Logs
- Floor Bearers: Pressure Treated for Longevity

- Main Door Height (Walkthrough Height): 1.82m (5' 11")
- Main Door Width (Walkthrough Width): 1.11m (3' 7")
- Side Door Height (Walkthrough Height): 1.82m (5' 11")
- Side Door Width (Walkthrough Width): 0.74m (2' 5")
- Window Opening Size: 0.43m x 1.37m (1' 4" x 4' 5")
- Glazing Material: 4mm Toughened Glass
- Glazing Options: 24mm Double glazing
- Window Locking System: Secure Multi-Point Locking with Espagnolettes
- Roof Thickness: 19mm Tongue & Groove
- Floor Thickness: 19mm Tongue & Groove
- Please Note: All fixings needed for assembly are supplied
- Included as Standard: Plastic Vents, Adjustable Storm Braces, Assembly Instructions and Fixings