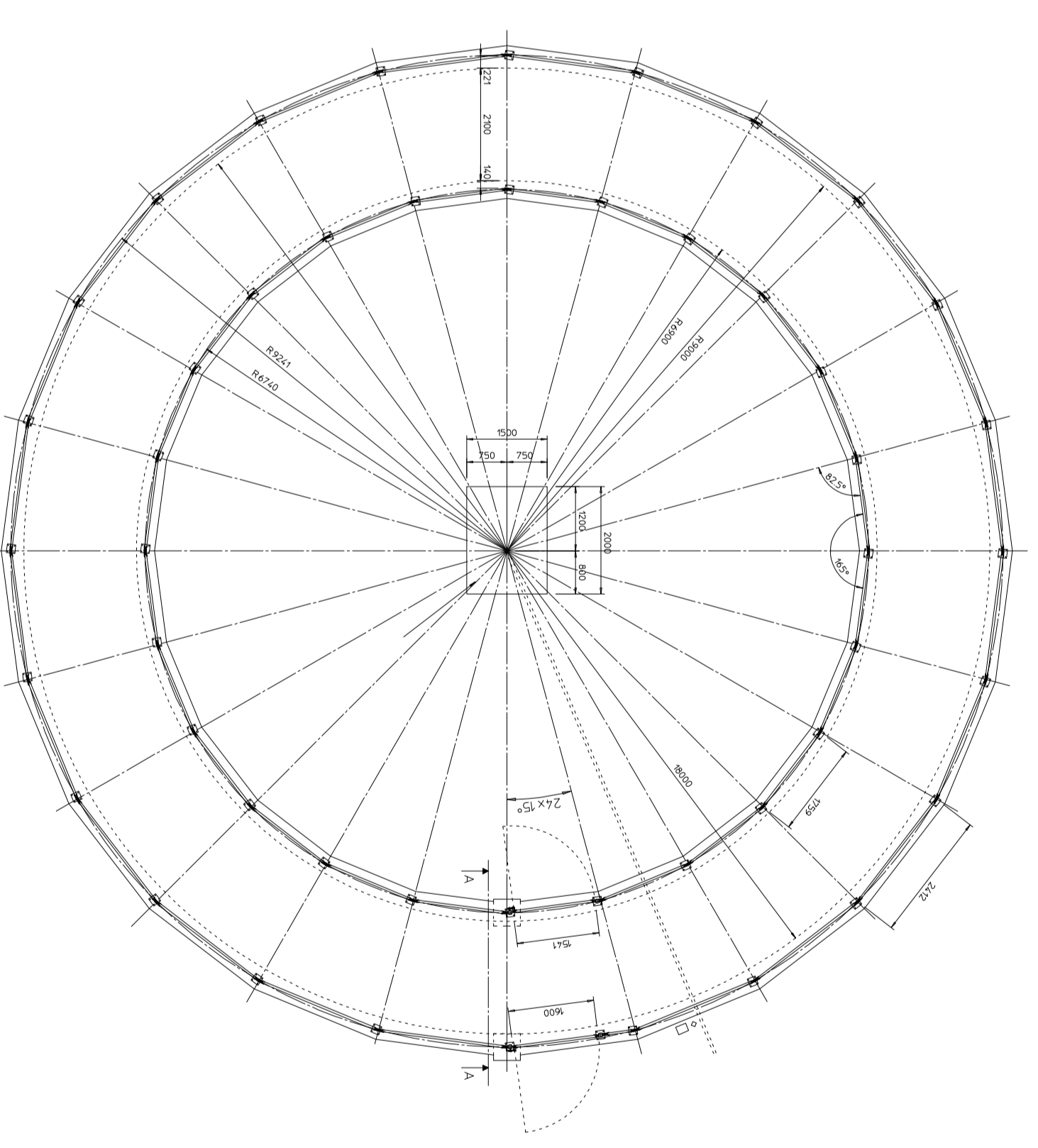
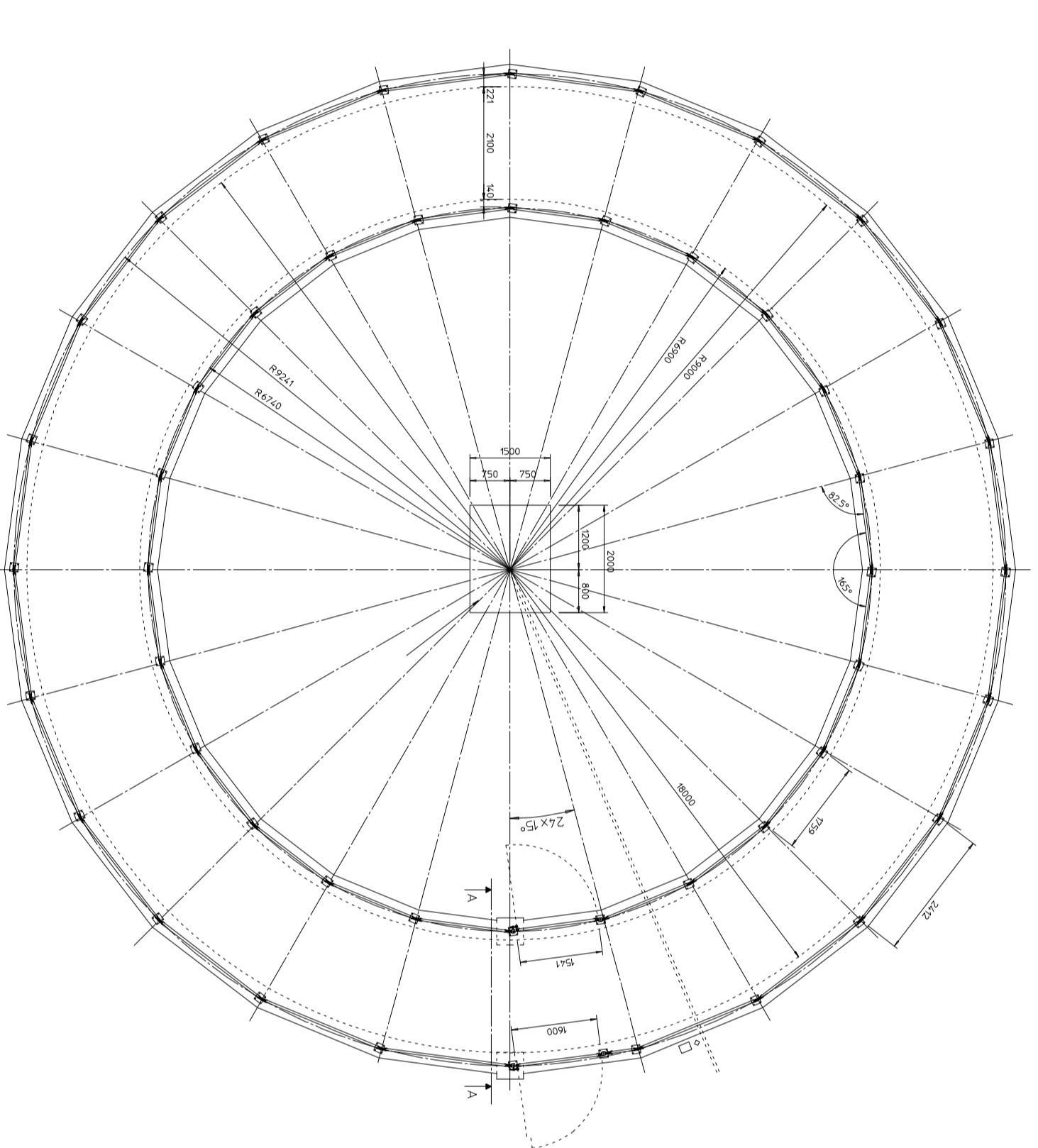
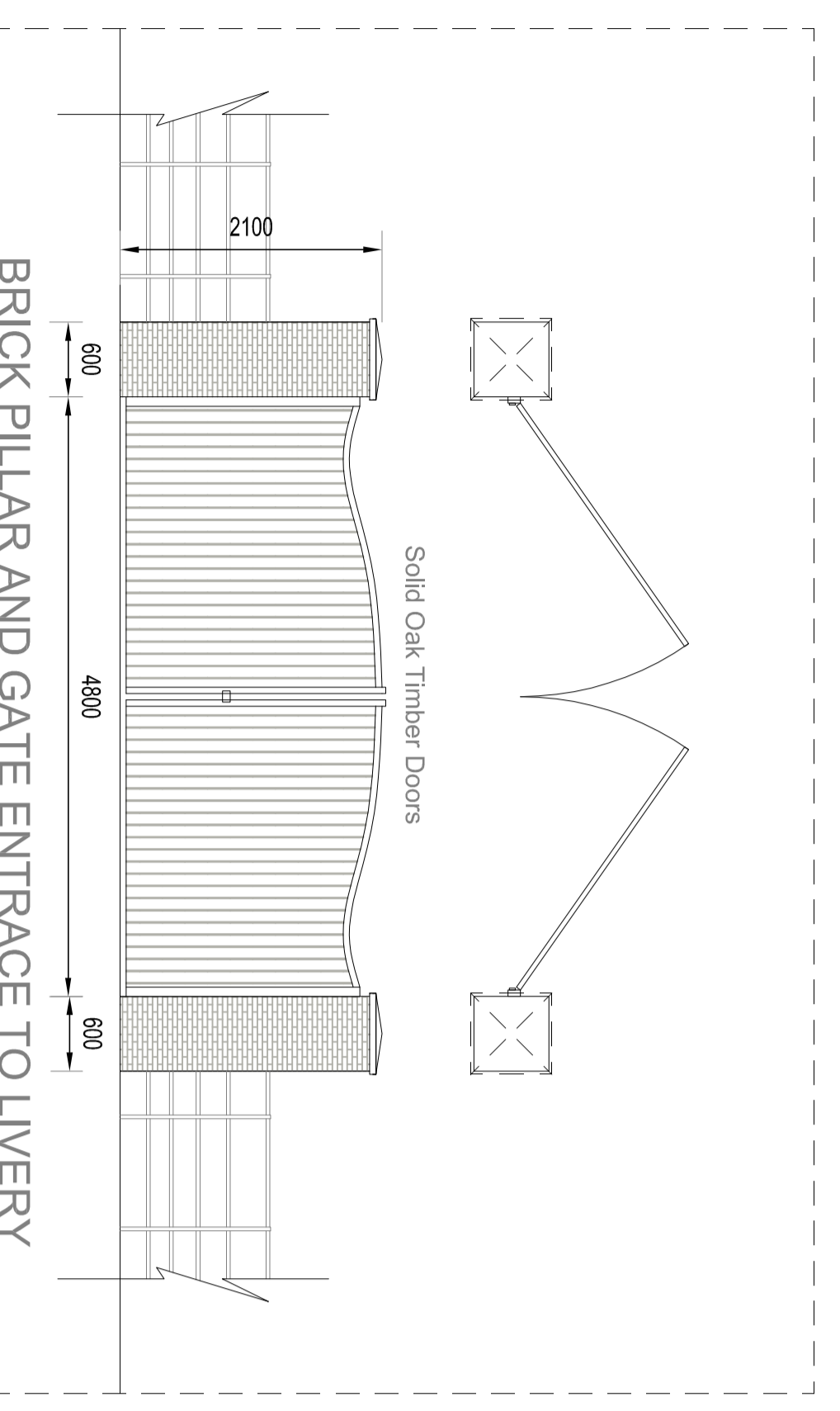
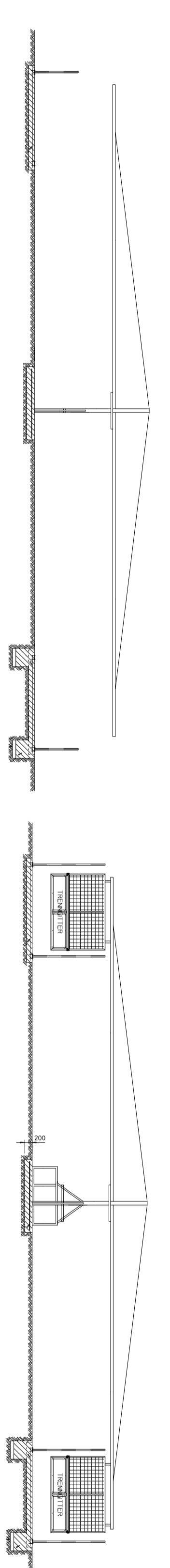
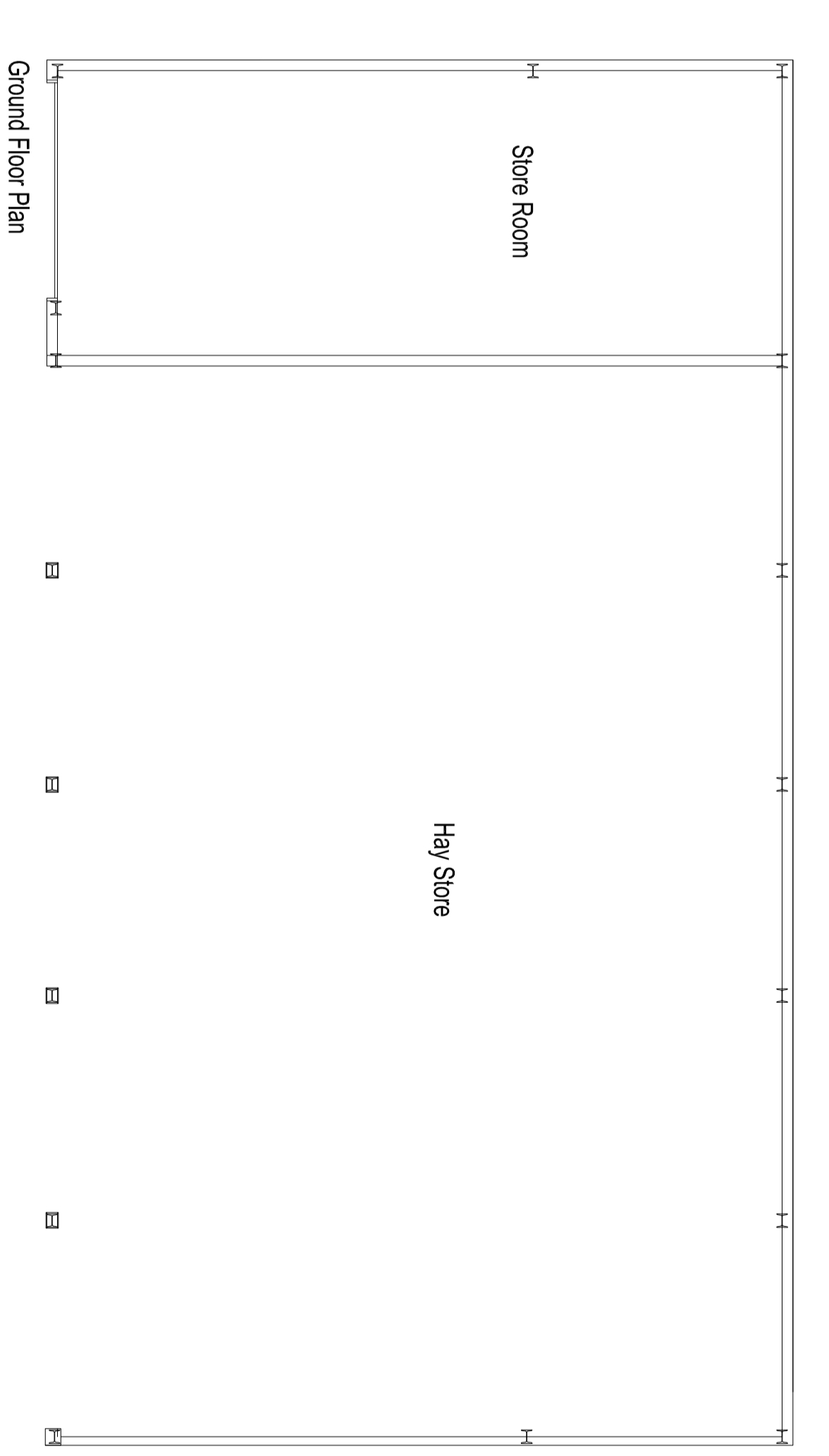
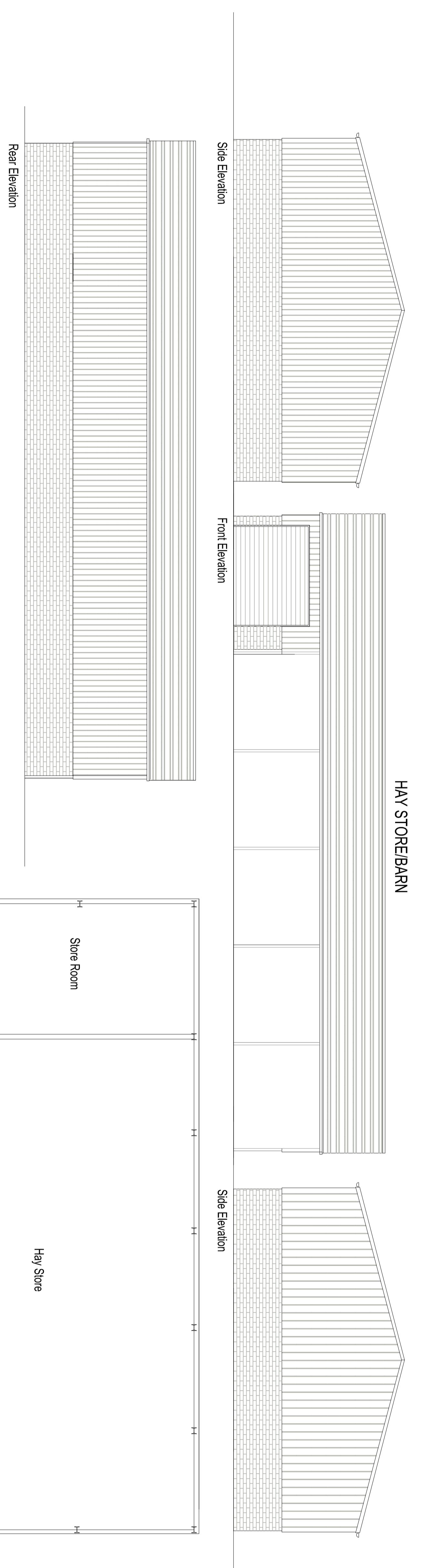




Proposed Outdoor Arena Floor Plan



	<p>THE ARCHITECTURAL PRACTICE</p> <p>100, High Street, London, E1 1AA</p> <p>020 7123 4567</p> <p>www.thearchitecturalpractice.co.uk</p>
<p>PROJECT NO: 100</p> <p>DATE: 1.1.2024</p> <p>SCALE: 1:100</p>	<p>CLIENT: Mr. & Mrs. Smith</p> <p>ADDRESS: 100, High Street, London, E1 1AA</p>