

52-53 OLD STEINE Brighton

THIS IS A GRADE II LISTED BUILDING
HISTORIC ENGLAND LIST ENTRY: 1380668 - 52
HISTORIC ENGLAND LIST ENTRY: 1380669 - 53

KEY

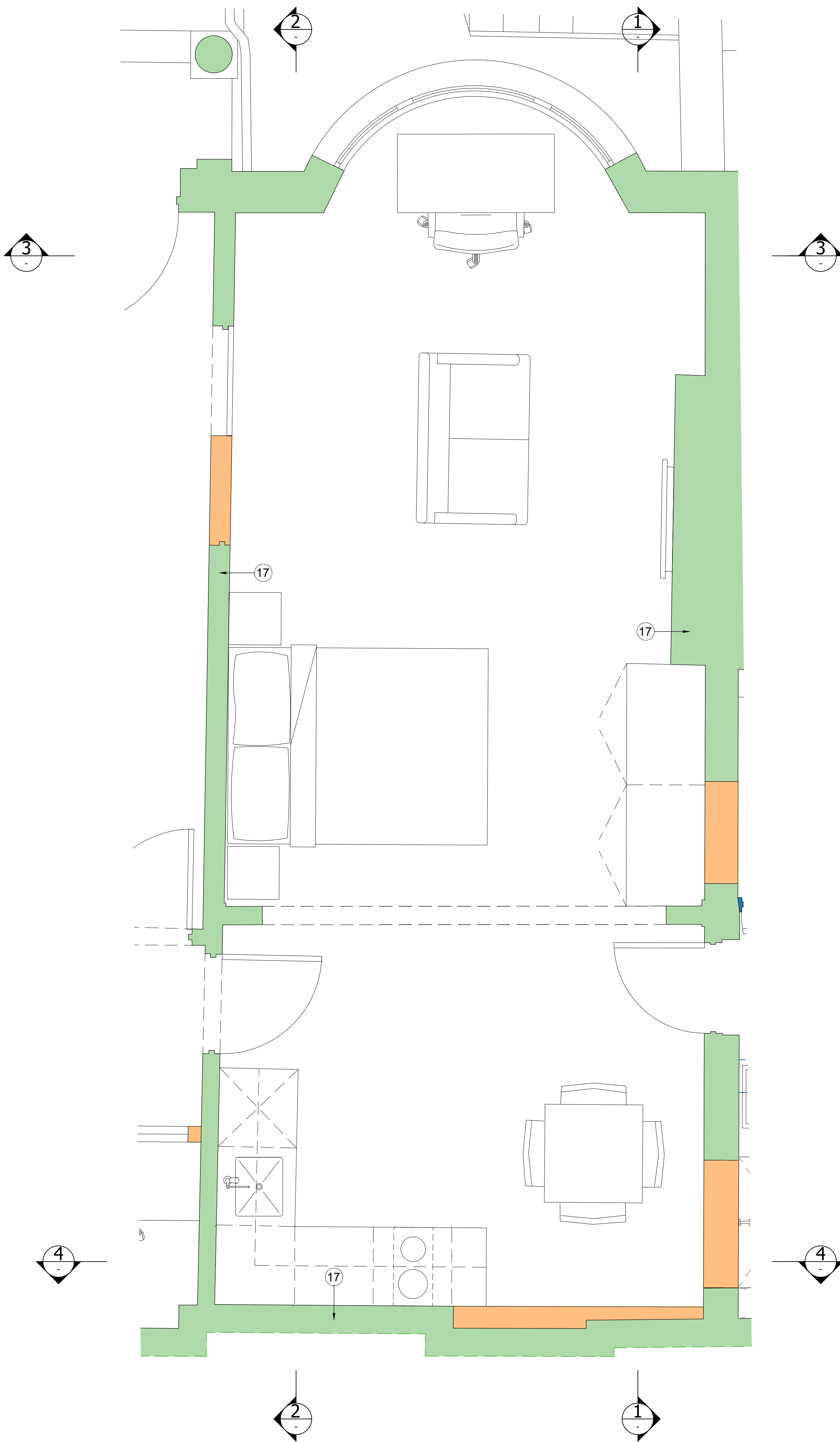
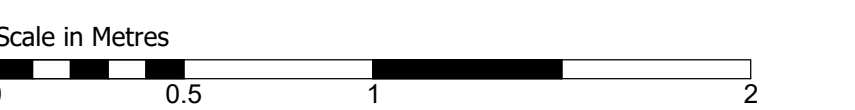
- Late 18th Century
- Early 19th Century
- Mid / Late 19th Century
- 20th Century Alterations
- Assumed structure demise (beyond survey remit)
- Proposed demolitions
- Proposed newbuild
- Proposed Kitchen / fitted units (fully reversible)

Existing fixtures and notable period details:

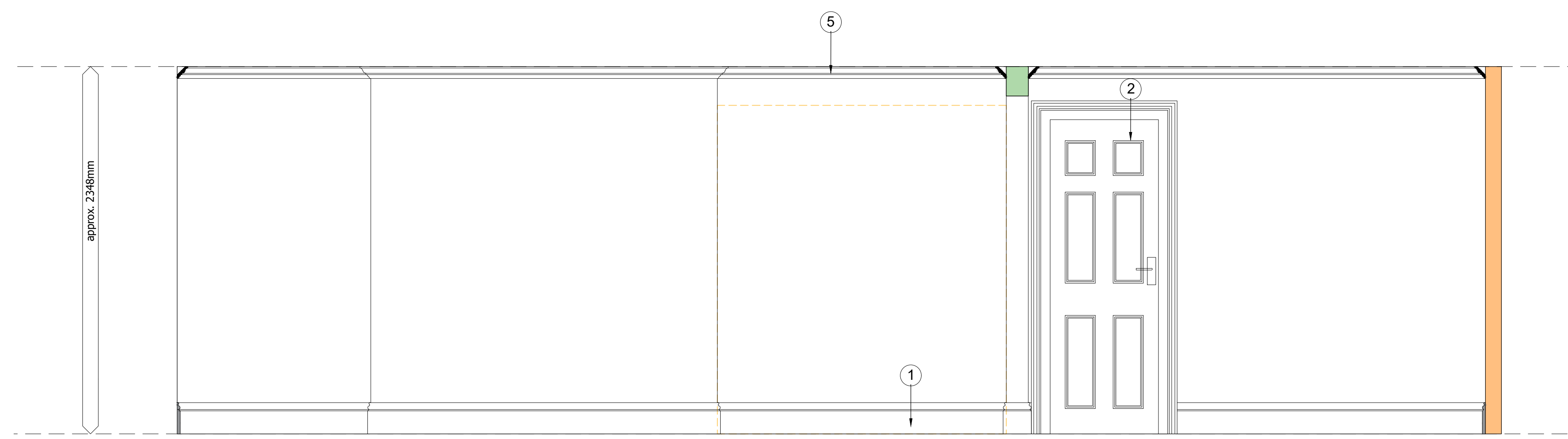
- ① Modern skirting detail *
- ② Modern door / architrave *
- ③ Modern period sash / architrave *
- ④ Modern Insert radiator / ac unit *
- ⑤ Modern cornice detail *
- ⑥ Modern panel door *
- ⑦ Period sash window panelling surround *
- ⑧ Period wall rebate *
- ⑨ Period Fireplace *
- ⑩ Period skirting detail *
- ⑪ Period cornice detail *
- ⑫ Modern glass wall divide *
- ⑬ Modern fireplace surround *
- ⑭ Modern lift opening *
- ⑮ Period Door / Architrave *
- ⑯ Modern Door / period Architrave *
- ⑰ New proposed sound / insulation buildups to existing walls between rooms / party walls.

All new buildups will be like for like to current late 20th Century modern internal plasterboard wall finishes which are at present direct applied on historic internal timber framed / external historic wall structures.
All Part of evidenced extensive 1994 internal refurbishment works to Numbers 52-53.
- see separate prepared 1:5 construction details *

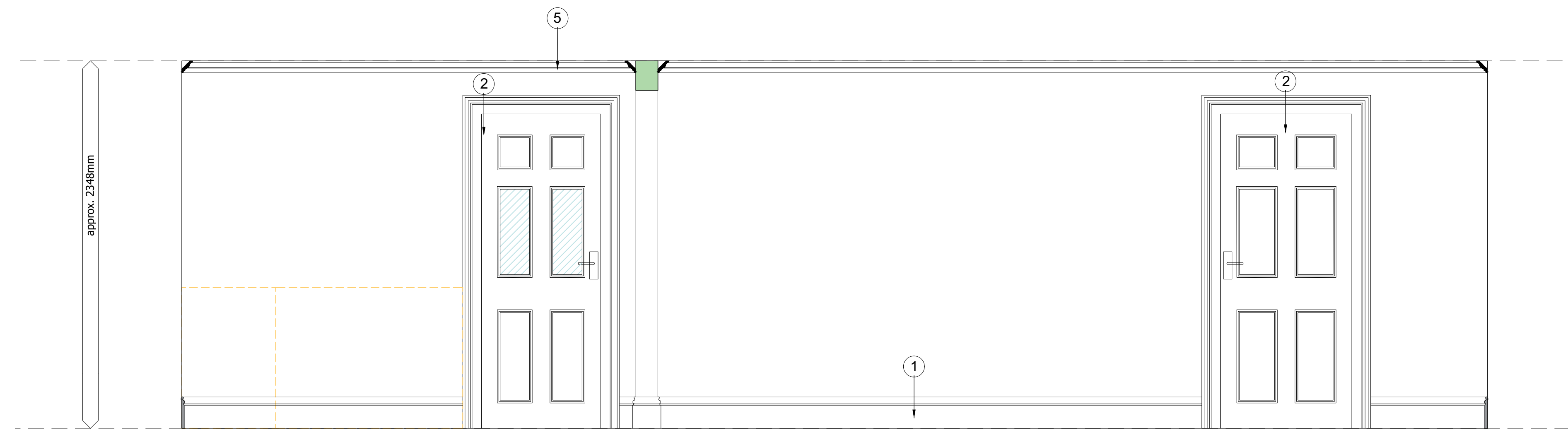
* See accompanying detailed heritage statement for 52 and 53 Old Stein Brighton



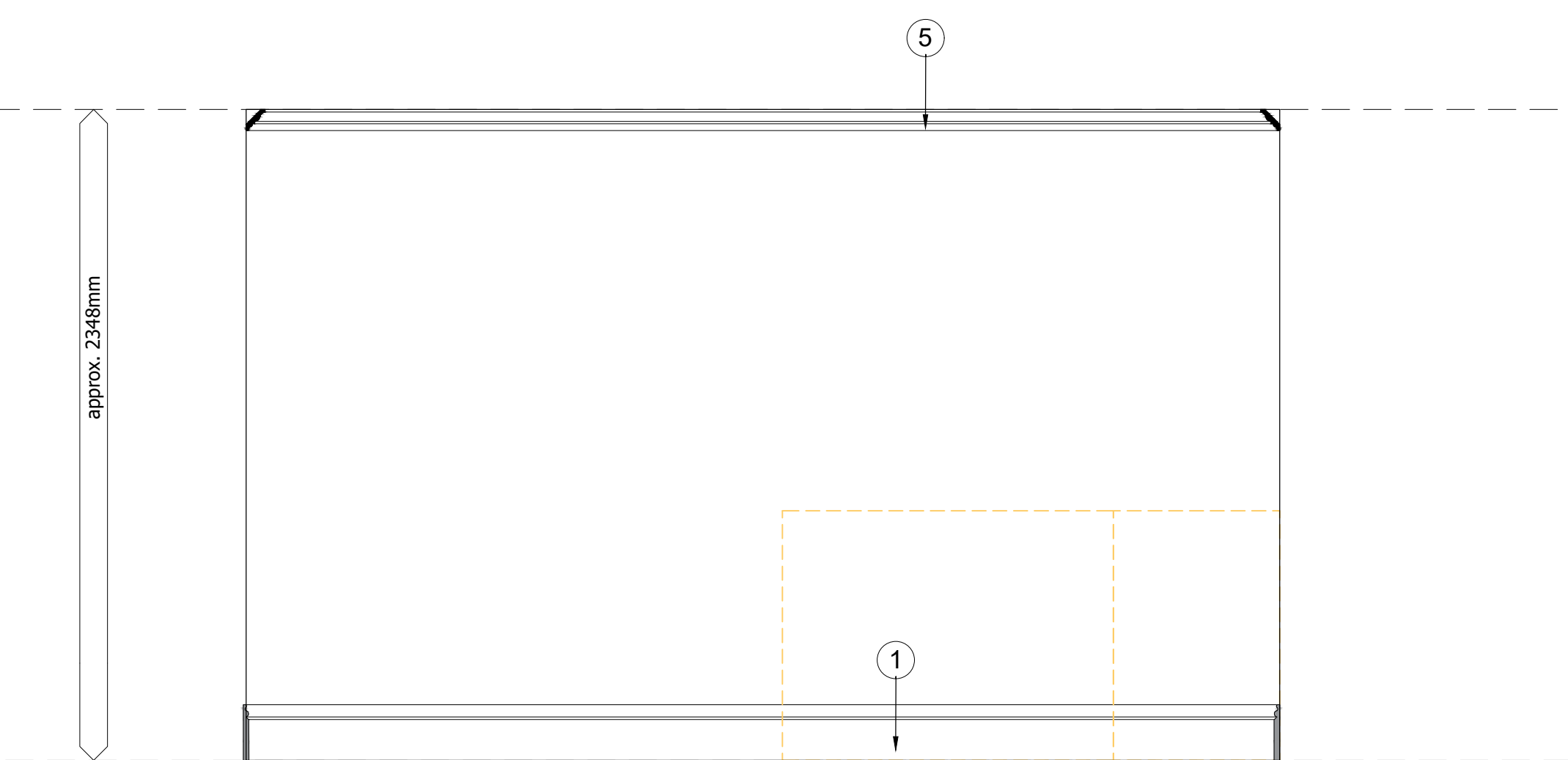
Ground Level - 52 - PROPOSED
SCALE 1:20



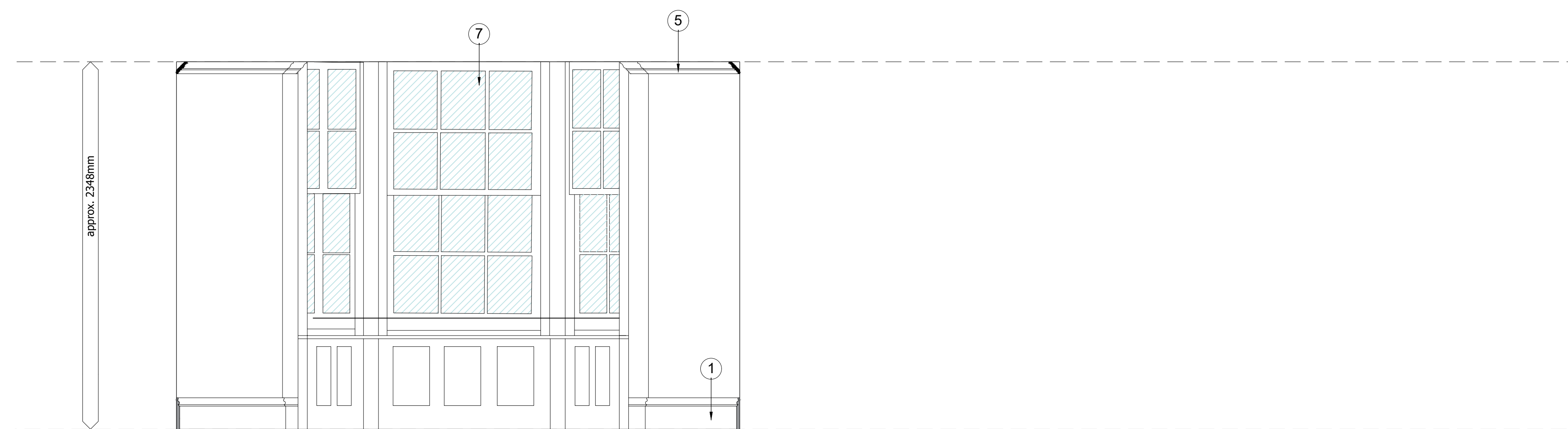
1 ELEVATION
SCALE 1:20



2 ELEVATION
SCALE 1:20



4 ELEVATION
SCALE 1:20



3 ELEVATION
SCALE 1:20

EDWSArchitects

26 Mikes Road Brighton BN1 5NQ M 07979532275
E: eden@edwsarchitects.com www.edwsarchitects.co.uk

J O B 52-53 Old Steine Brighton BN1 1NH	CHECKED PT
	DRAWN ND
CLIENT Jenscogroup	DATE 22.12.01
	SCALE 1:20 @ A0
DRAWING PROPOSED Internal Elevations 52 Ground Level	REVISION A
	NUMBER 7181/066