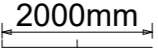
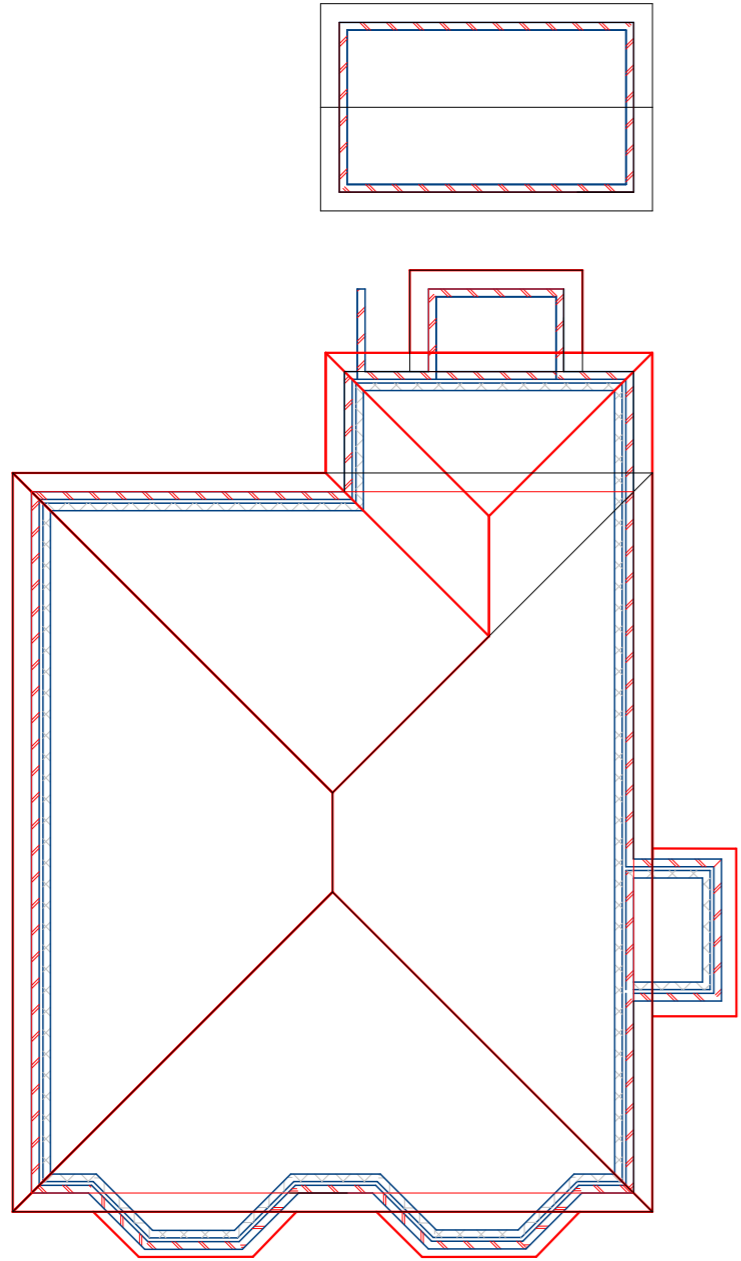


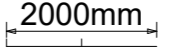
Existing Roofline

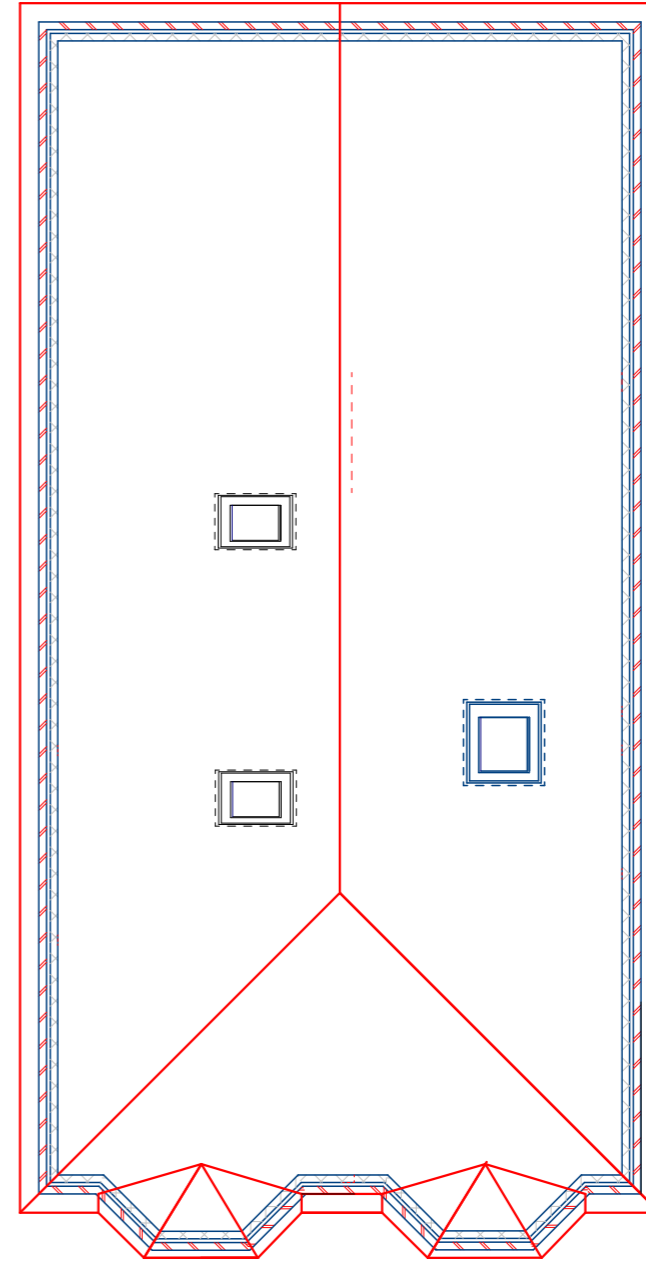
Scale 1 : 100 



Planning Drawings

Proposed Roofline

Scale 1 : 100 



Client - Mr & Mrs Love

Address - Homestead,
Lewes Road,
Newhaven,
BN9 9AA



Page Size - A3

