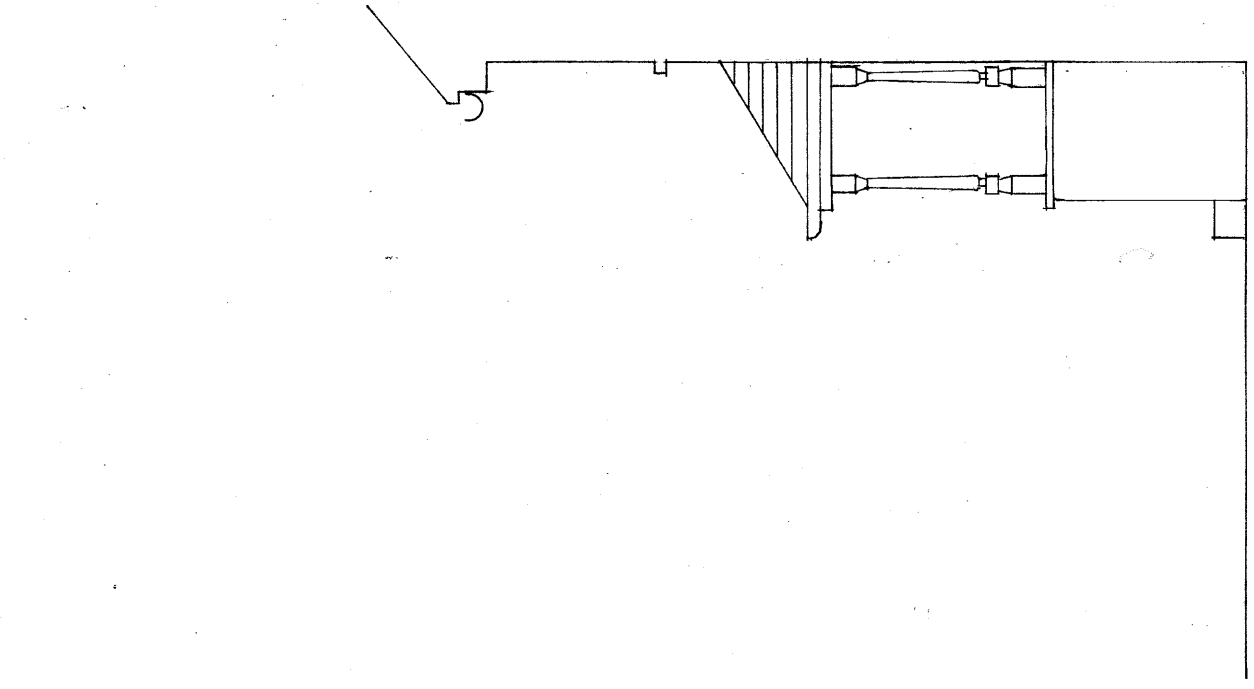


Front Elevation

Remove 4 No. small windows & set aside for re-use in new extension.

Demolish & remove existing porch.

Side Elevation



32 College Road
Maidenhead SL6 6AT

Hall Extension - Elevations as Existing.

Scale: 1:50

Date: Feb. 2024

Dwg. No.

01.