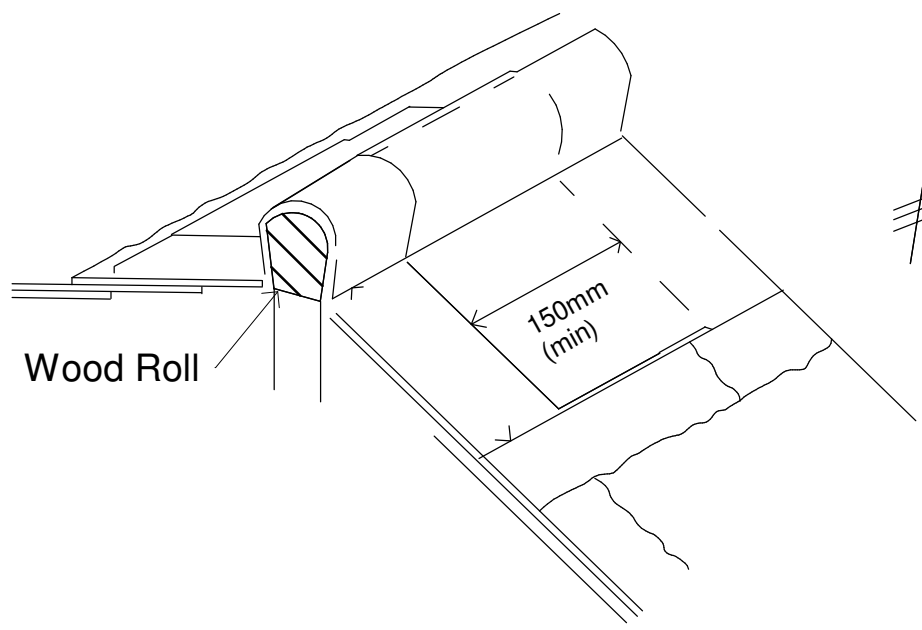


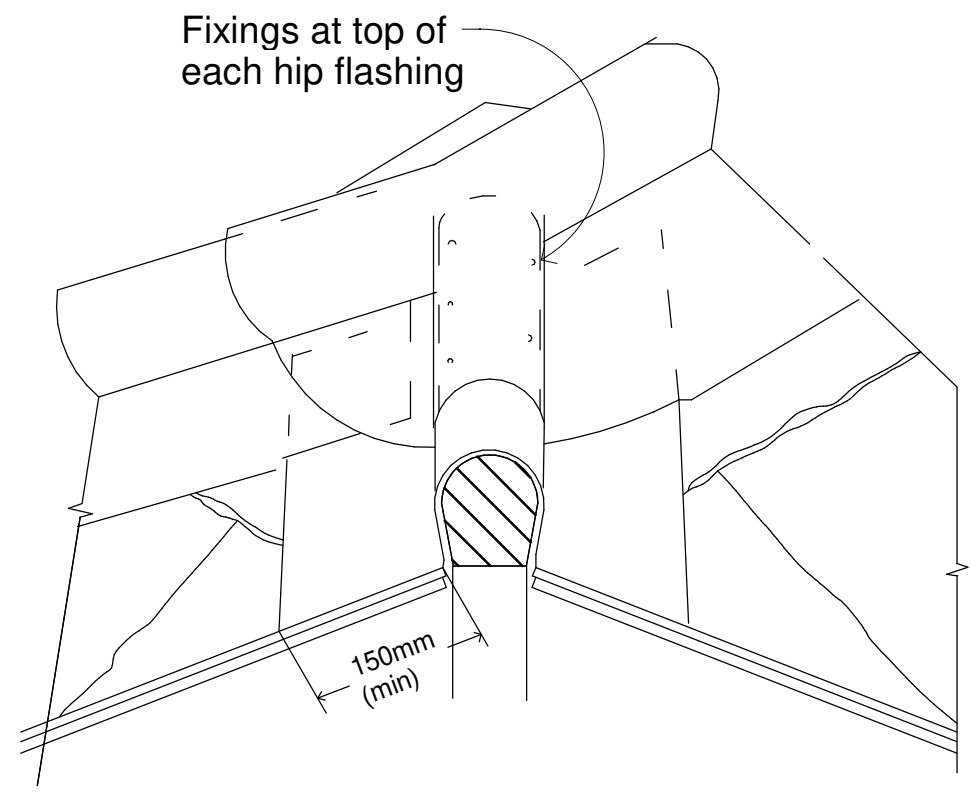
1

# Zinc Flashing

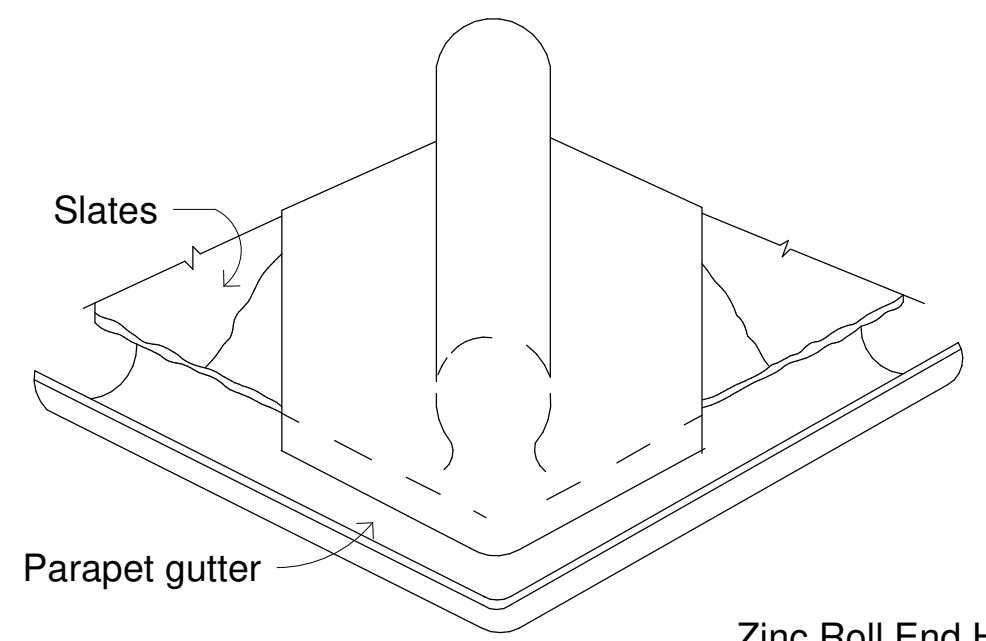
1 : 10



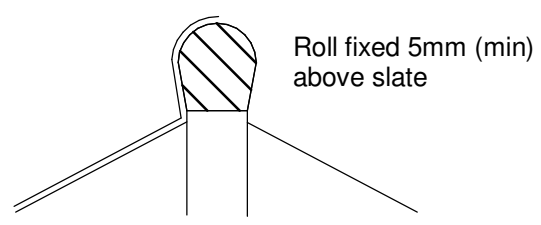
### Zinc Ridge



### Zinc Hip Ridge Junction

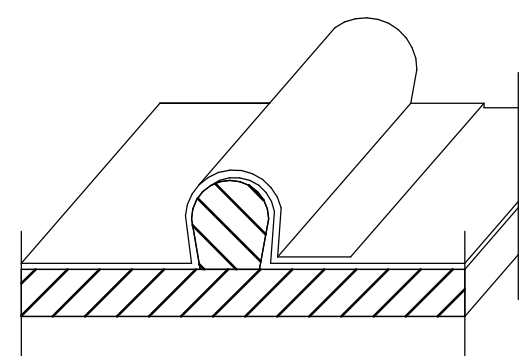


### Zinc Roll End Hip

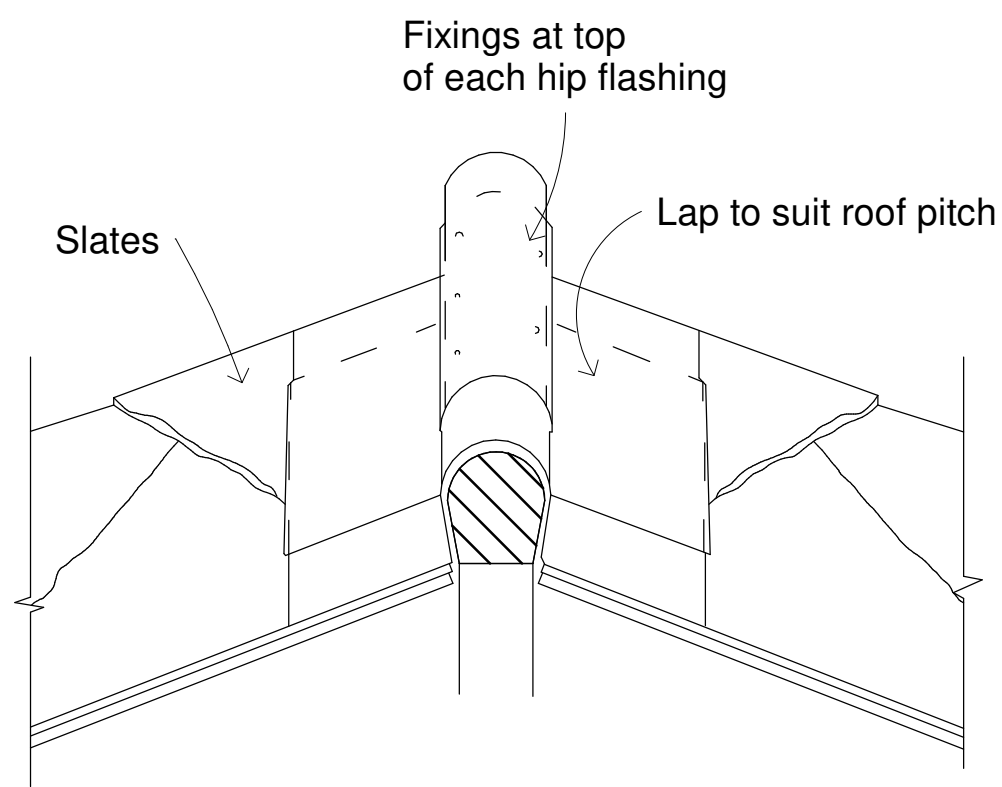


Ridge

### Zinc Roll



### Wood-Cored Roll



### Zinc Hip

Rev.	Date	Description	Chkd
------	------	-------------	------

Tender

DO NOT SCALE FROM THIS DRAWING.  
 ALL DIMENSIONS MUST BE VERIFIED ON SITE.  
 ANY DISCREPANCIES MUST BE REFERRED TO THE ARCHITECT/ CONTRACT ADMINISTRATOR BEFORE PROGRESSING.



Housing & Technical Resources  
 Design, Brandon Gate,  
 Hamilton, ML3 0XB  
 Tel.(0303) 123 1015  
 Fax.(01698) 453069

Project Title  
 Lanark Library Roof Replacement  
 16 Hope Street, Lanark, ML11 7LZ

Drawing Title  
 Roof Details

SLPN

Project Code  
 COM011738

Drawing No  
 RF-DD-A-001

Checked  
 Approved

NF  
 RI

Scale  
 1 : 10 @ A3

Rev  
 Date

Drawn  
 Date

AMcG  
 06/05/2022