

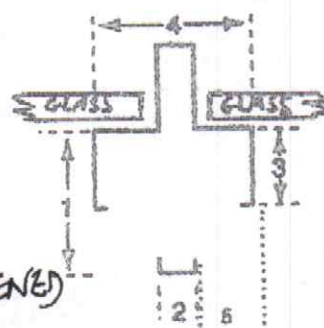
# SASH DRAWINGS FOR FLAT 7, 11 BROADWATER DOWN TN2 5NJ

## SURVEYOR'S NOTES

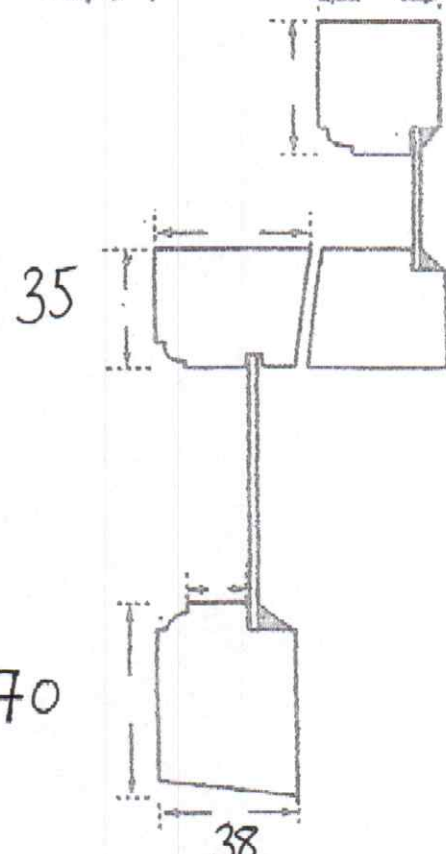
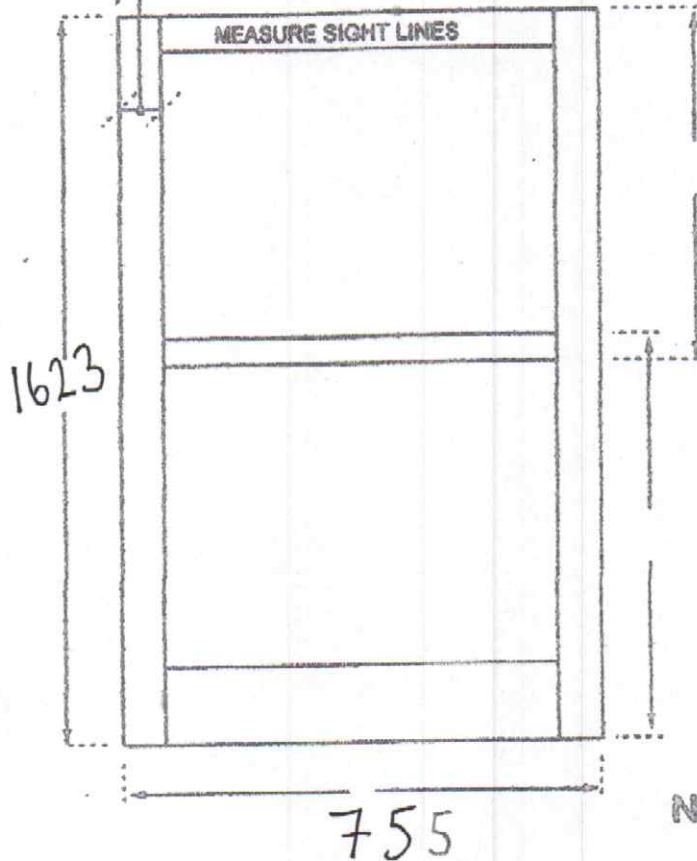
Customer's name: HOBBS Surveyor's name: \_\_\_\_\_ Date: \_\_\_\_\_

Item No.

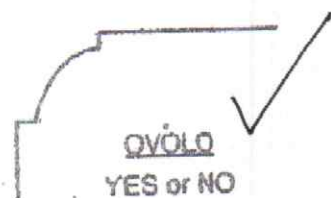
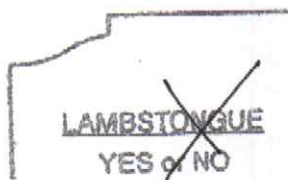
1. Top or bottom sash? BOTH = 5 PAIRS
2. Horns or no horns? TBC (if 'Yes' trace outline)
3. Cords, chains, spring balance? SPRING
4. Midrail splayed / rebated? SPLAY
5. Complete box replacement? Yes / No
6. Hardwood / softwood? HARDWOOD
7. Glass required Yes / No 4-8-4 SLIMLITE TOUGHENED  
IF NO, MEASURE 1, 3 & 5
8. Glazing bars? Yes / No
9. Stile width 50



1		mm
2		mm
3		mm
4		mm
5		



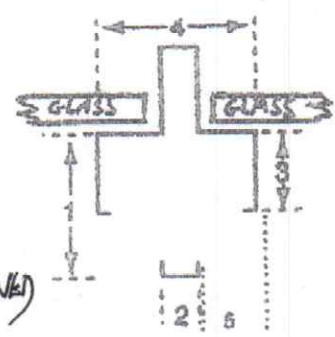
NOTES HORN AND GLAZING BAR DETAILS



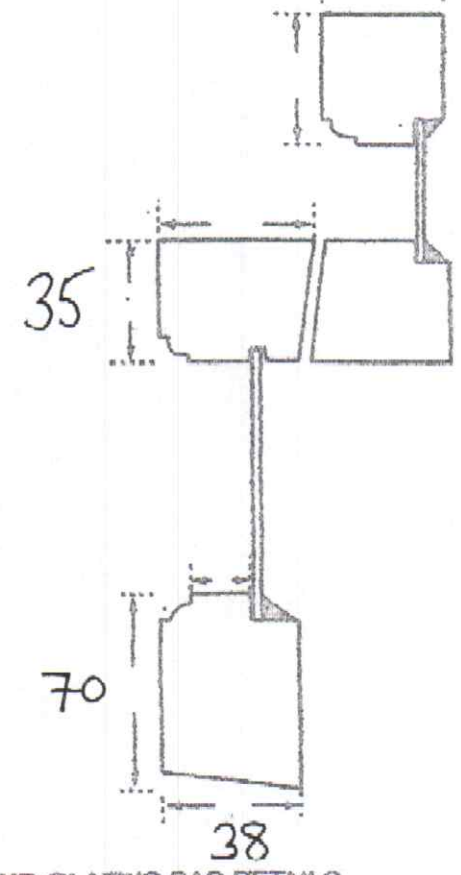
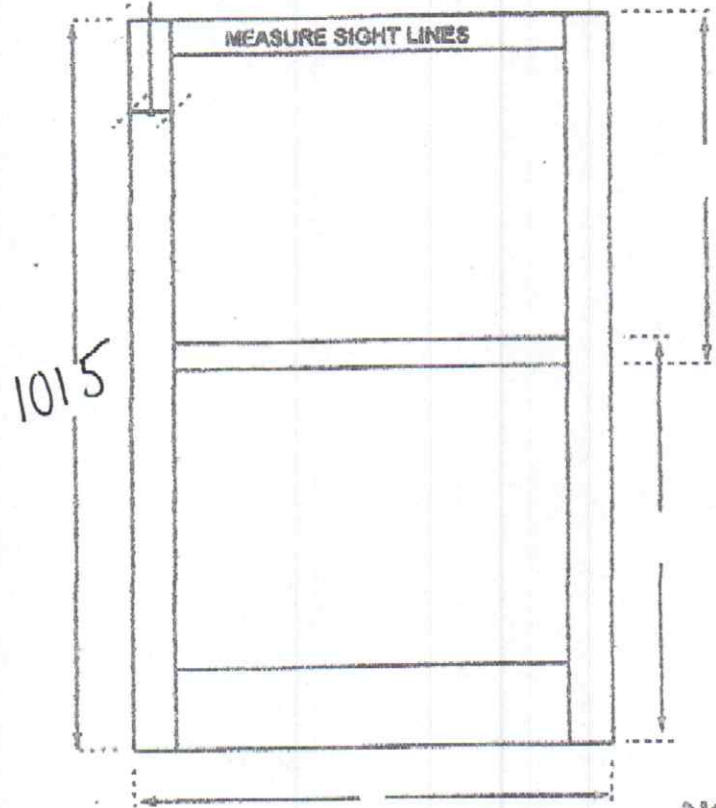
# SURVEYOR'S NOTES

Customer's name: HOBBS Surveyor's name: \_\_\_\_\_ Date: \_\_\_\_\_

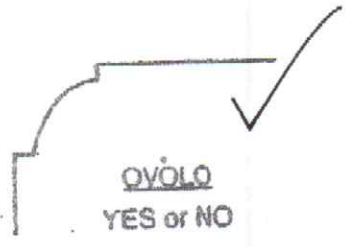
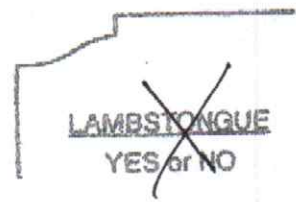
- Item No. BOTH = 1 PAIR
1. Top or bottom sash? BOTH = 1 PAIR
  2. Horns or no horns? TBC (If 'Yes' trace outline)
  3. Cords, chains, spring balance? SPRING BALANCE
  4. Midrail splayed / rebated? SPLAY
  5. Complete box replacement? Yes / No
  6. Hardwood / softwood? HARDWOOD
  7. Glass required Yes / No 4-8-4 SLIMLITE TOUGHENED  
IF NO, MEASURE 1, 3 & 5
  8. Glazing bars? Yes / No
  9. Sill width 50



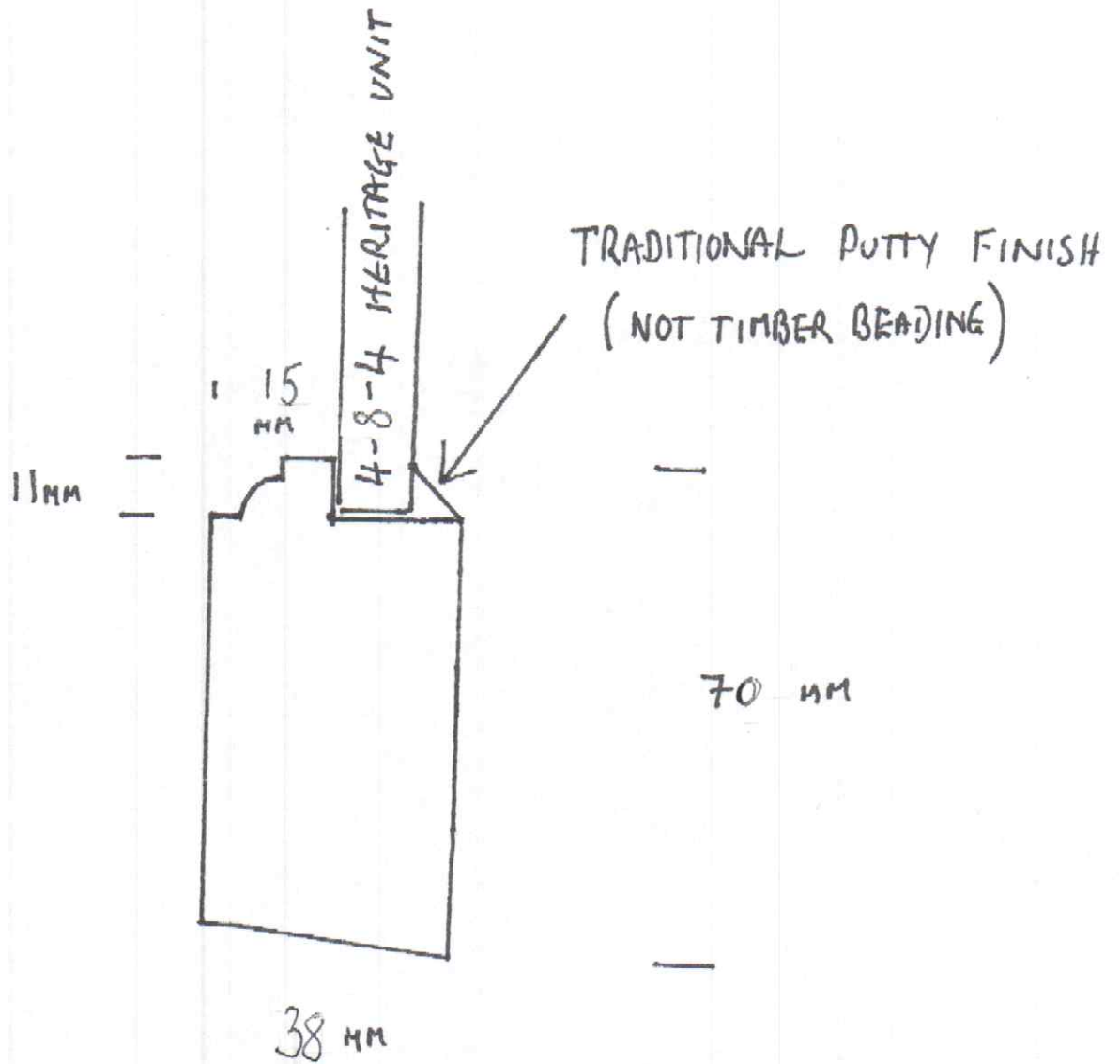
1		mm
2		mm
3		mm
4		mm
5		



NOTES HORN AND GLAZING BAR DETAILS



# SLIMLINE DG UNIT GLAZING DETAIL



NON STANDARD CILL SECTIONS

Customer: HOBBS

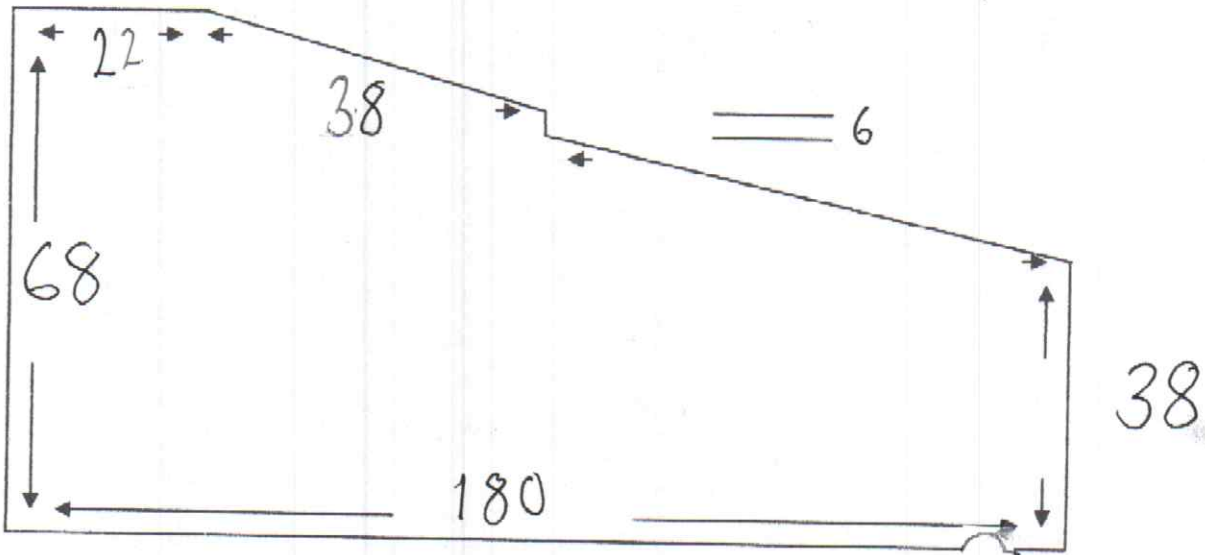
Length: 1 @ 1750 2 @ 900

Quantity:

Horns:

Rebated:

Drip: ✓



Notes: SPECIAL PULLEY LINING.

