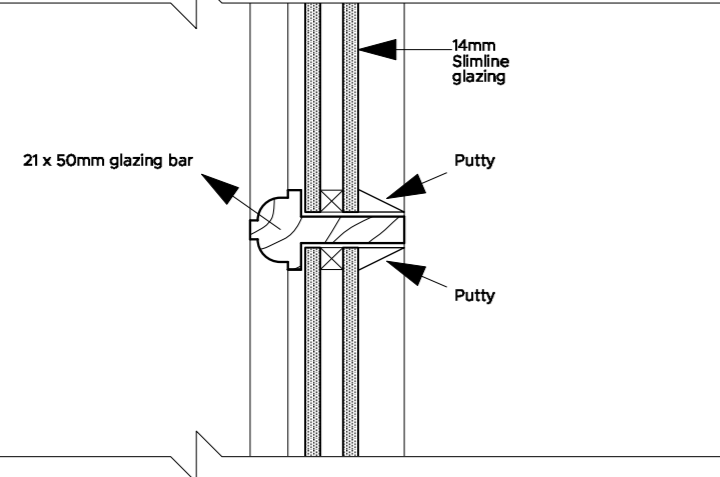
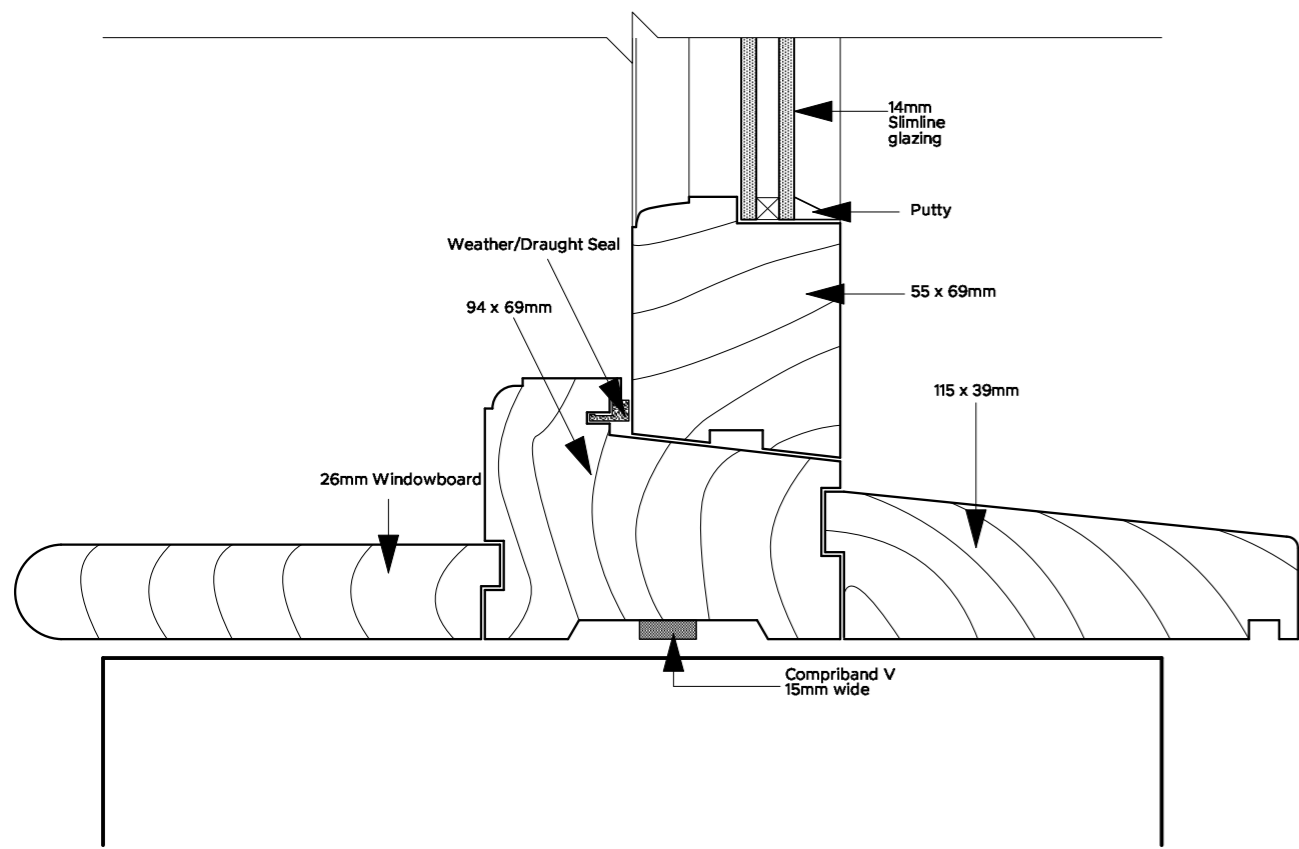


A-A Head
Scale 1:2



B-B Glazing Bar
Scale 1:2



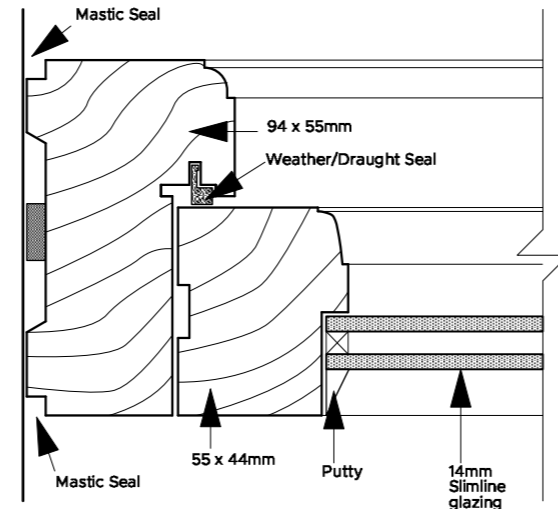
C-C Cill
Scale 1:2



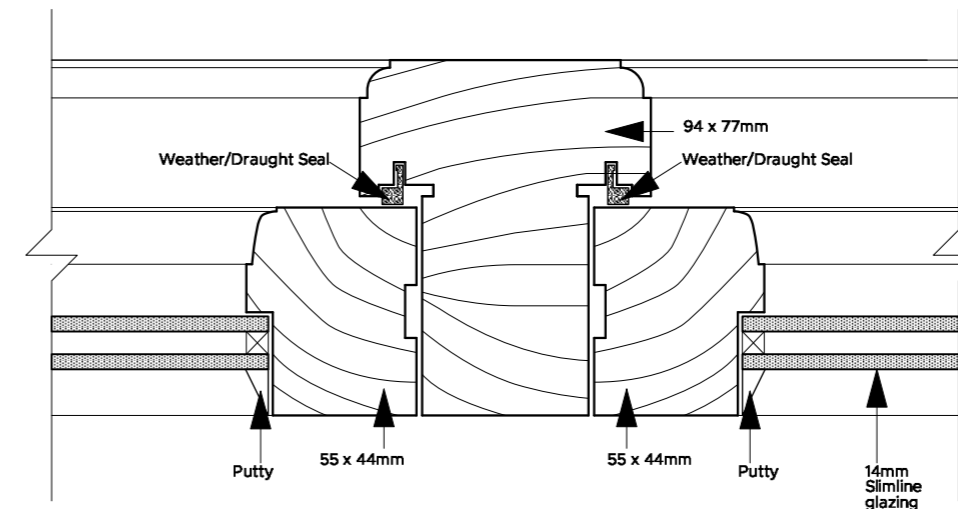
Scale: 1:10



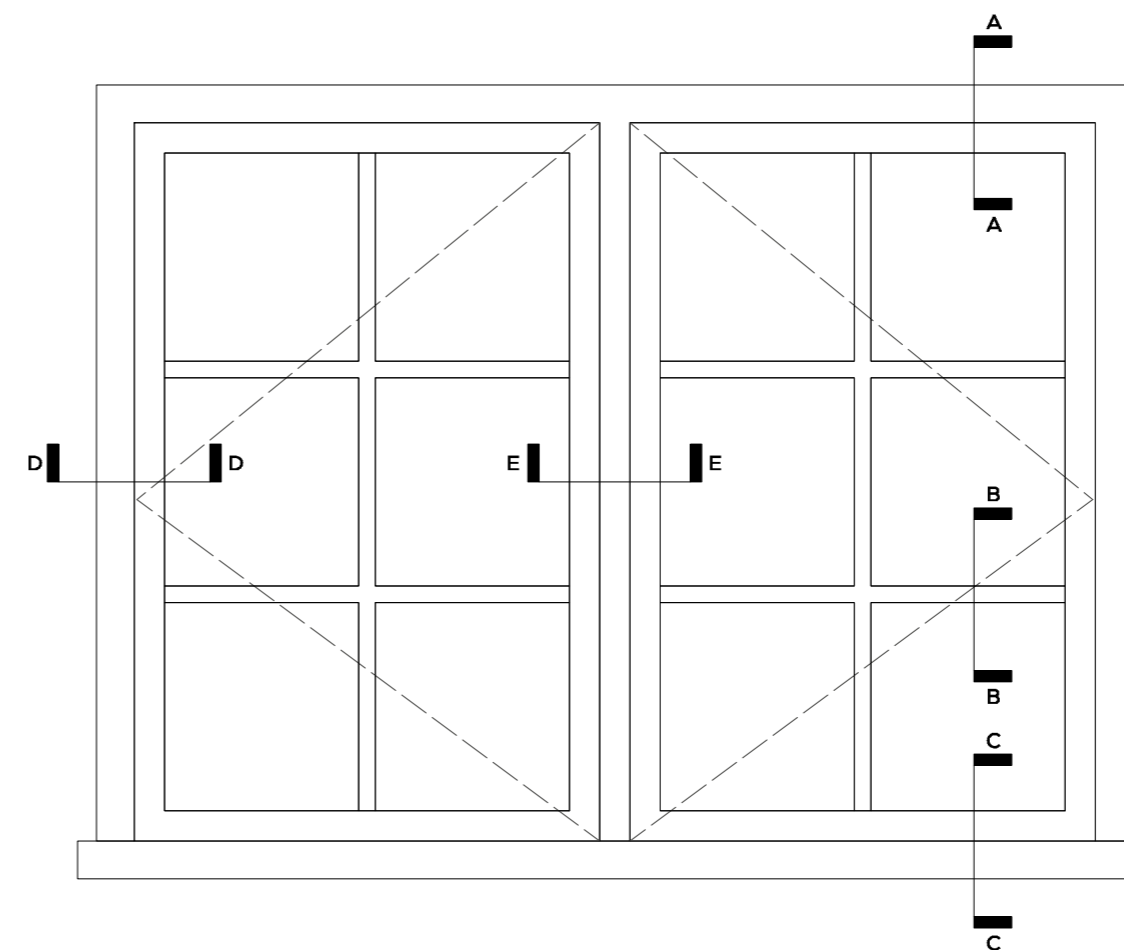
Scale: 1:2



D-D Jamb
Scale 1:2



E-E Meeting Stile
Scale 1:2



Typical flush casement window
Scale 1:10

* Indicated safety glass in accordance with BS6206 and Part K of Building Regulations

DOUBLE GLAZING BRAKDOWN OR MISTING
This is caused by failure of the glazing method to protect the unit seal from the ingress of water or moisture. All double glazing sealants used in the manufacture of double glazing units have a moisture vapour transmission rate when exposed to water or moisture, which will cause misting or breakdown eventually over a period of time. Where units are foreputtied, the putty must be painted and on to the glass to provide a seal to protect the putty from moisture ingress. Foreputty should be left for 7 to 10 days before painting. Fenestrations should be painted every five years inland and three years in coastal areas, which will protect the glazing long term. All double glazed units are edge taped for extra protection.

Slimline double glazed units to comprise:
4mm Soft Coat Float Glass (internal)
6mm Air Gap warm edge spacers
4mm Float Glass

NOTES

1. Size of opening to be checked on site prior to commencement of fabrication.
2. Fabrication to include the supply and installation of Schlegel Engineering (or similar approved) draught proofing seals.
Colour: White
3. Timber sizes indicated on details are finished sizes.
4. Fabrication to include the supply and installation of brass/stainless steel casement hinges to opening lights.
5. Fenestration Timber colour to be painted white to match existing
6. Ironmongery to be agreed
7. Fenestrations to be in joinery quality hardwood

REVISION	DESCRIPTION	DATE	DRAWN	CHECK
----------	-------------	------	-------	-------

JOB No. **5880** DRAWING No. **PA_11** REVISION

TITLE **Window Details**

SCALE **AS NOTED** SHEET SIZE **A2**

ISSUE DATE **27/03/2024**

AUTHOR **FDS** CHECK **PB**

PROJECT **Proposed alterations & extensions to single storey dwelling
Wynne Cottage, Swan Street
Boxford, Suffolk CO10 5NZ**

CLIENT **Mr. & Mrs. J. Copeland**

STATUS **PLANNING**



Market Place / Hadleigh / Ipswich / Suffolk / IP7 5DN
T / 01473 827992 E / enquiries@wincer-kievenaar-architects.co.uk
Do not scale from drawing; work to figured dimensions only.
Copyright © Wincer Kievenaar Architects Limited
5880_PA_E_Proposed Drawings.vvwx