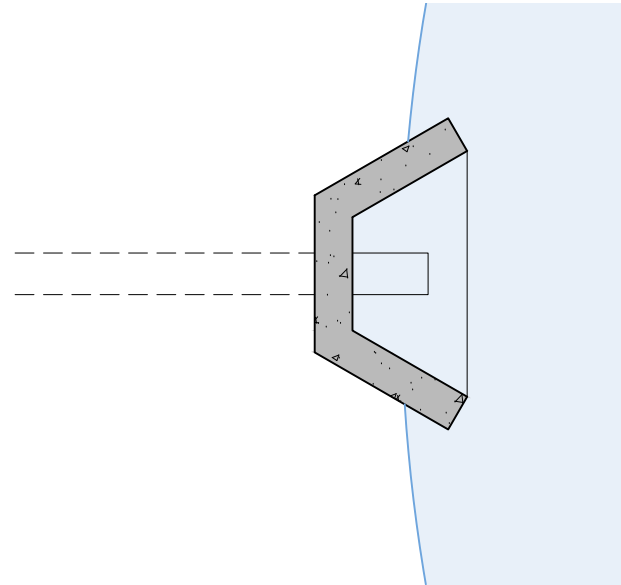
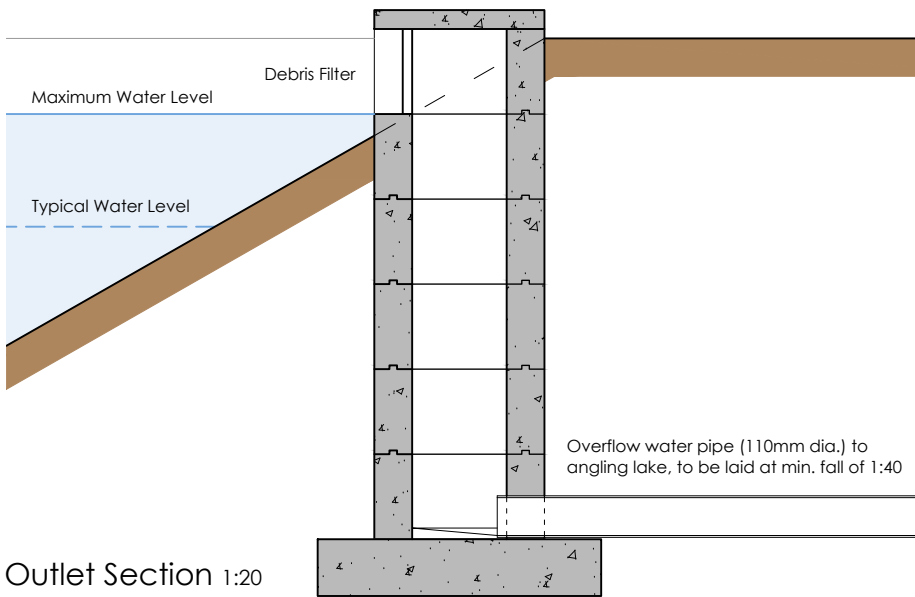


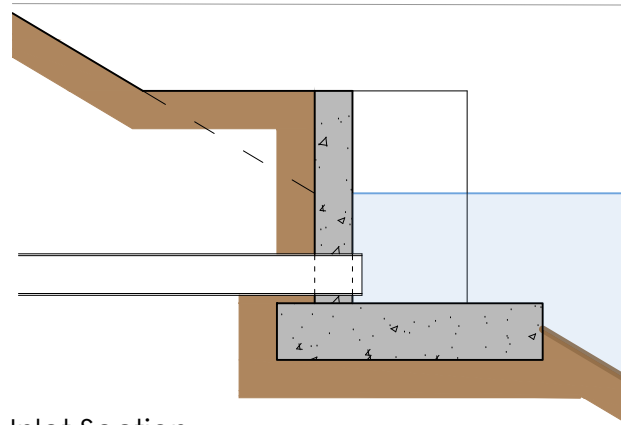
Plan on Outlet 1:20



Plan on Inlet 1:20



Outlet Section 1:20



Inlet Section 1:20

Lake Structure Connection

PLANNING ISSUE

Revision

Title

Lake Structure Connection

Project

Re-wilding Works
Land at Valley Lane
Gt. Finborough
for
Mr & Mrs A. Hart

Date

May. 23

Scale / Size

1:50

@ A4

Drawn

SJB

Job No.

529

Drwg No.

05

Rev

.



CHERRY TREE COTTAGE · HITCHAM ROAD · WATTISHAM
IPSWICH · SUFFOLK · IP7 7LD

T. 01449 723186

E. sjb@sjbdesigns.co.uk

SJB DESIGNS (EA) LIMITED. Registered in England and Wales No. 09681418

Copyright © SJB Designs

Do not scale - work to figured dimensions only