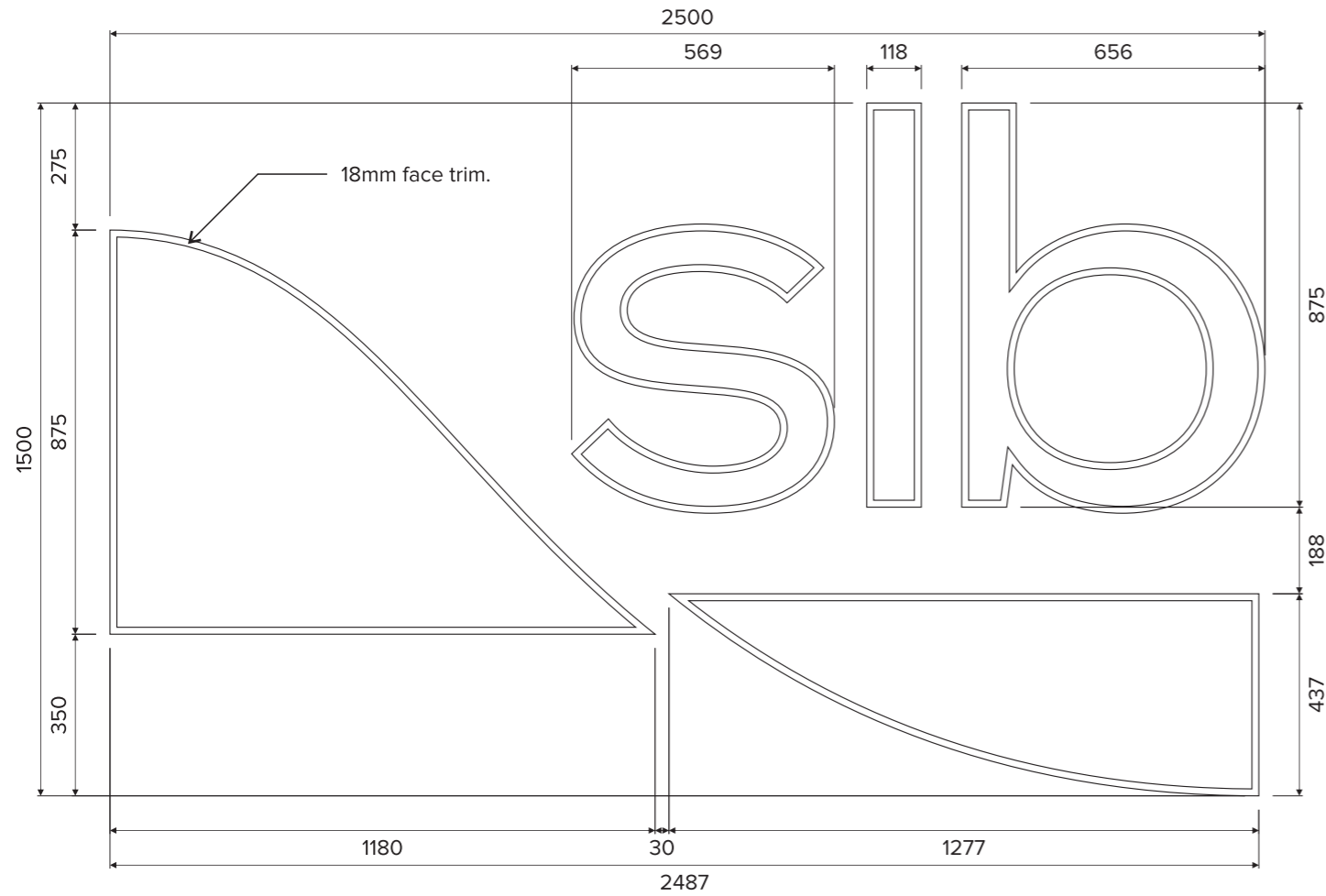
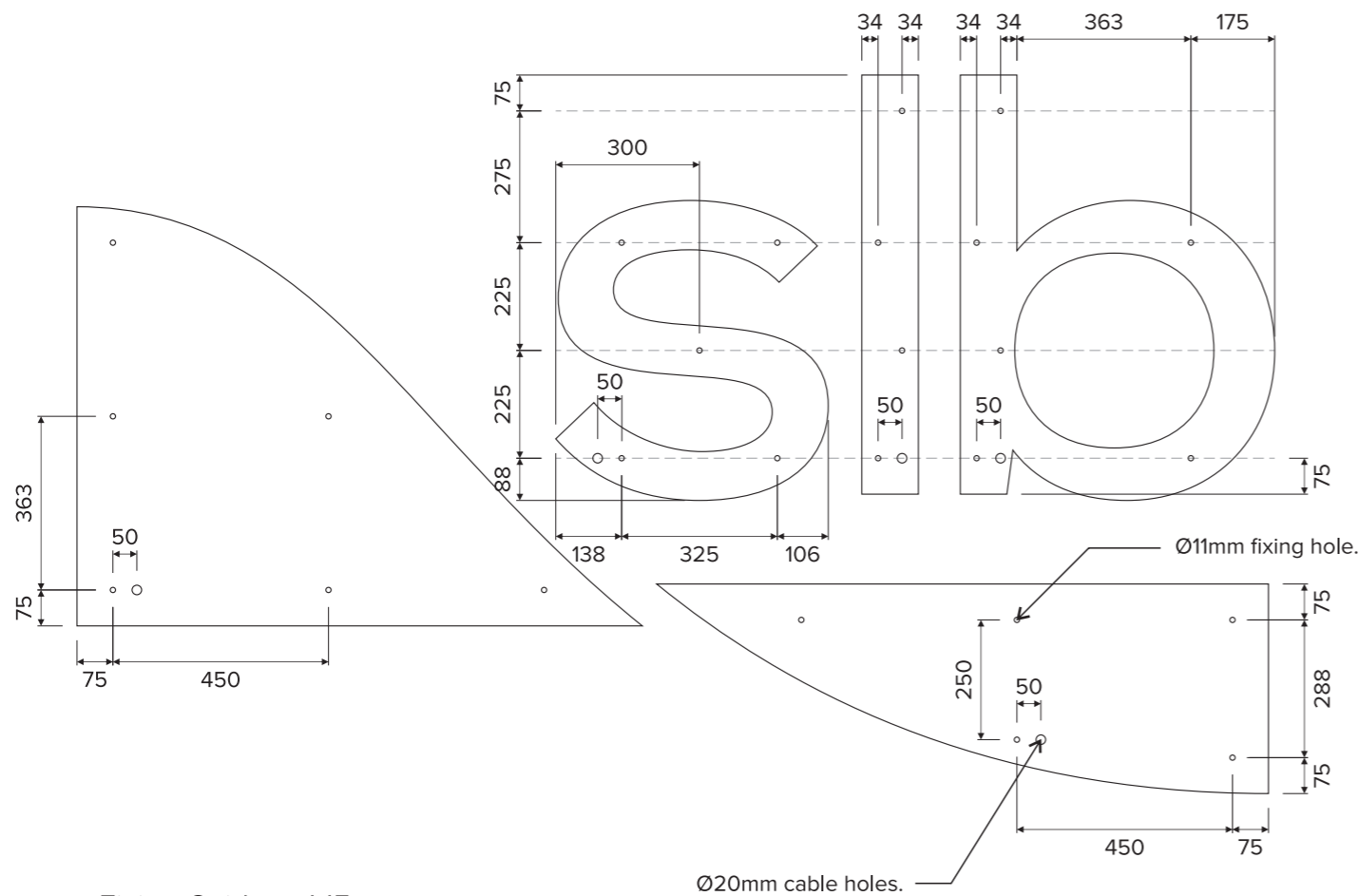


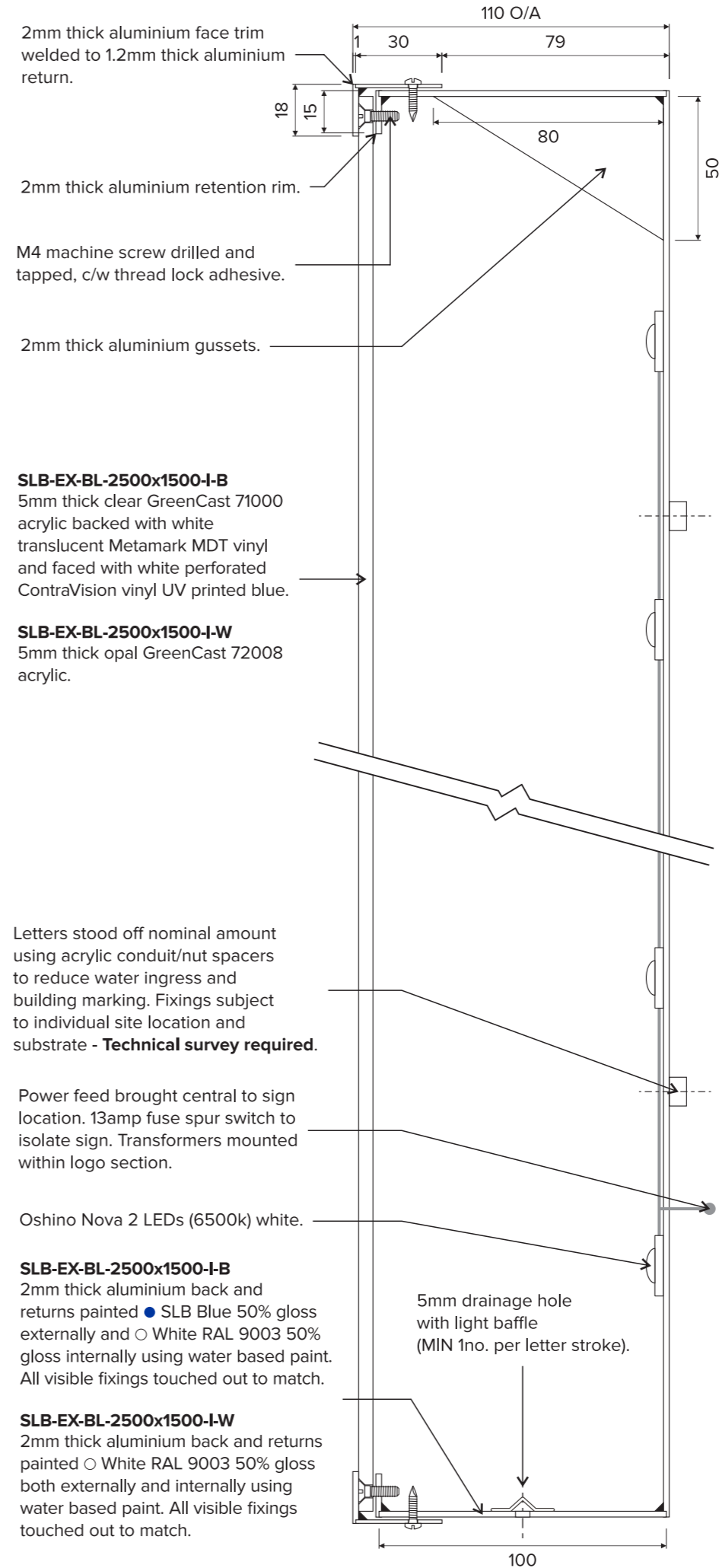
**NOTE**  
- ATTACHMENT DETAILS TBD BY TECHNICAL SURVEY



Face @1:15



Fixing Guide @1:15



Typical Section @1:2

Letters stood off nominal amount using acrylic conduit/nut spacers to reduce water ingress and building marking. Fixings subject to individual site location and substrate - **Technical survey required.**

Power feed brought central to sign location. 13amp fuse spur switch to isolate sign. Transformers mounted within logo section.

Oshino Nova 2 LEDs (6500k) white.

**SLB-EX-BL-2500x1500-I-B**  
2mm thick aluminium back and returns painted ● SLB Blue 50% gloss externally and ○ White RAL 9003 50% gloss internally using water based paint. All visible fixings touched out to match.

**SLB-EX-BL-2500x1500-I-W**  
2mm thick aluminium back and returns painted ○ White RAL 9003 50% gloss both externally and internally using water based paint. All visible fixings touched out to match.



PROJECT:  
SLB  
Rebrand

Std. Engineering Drawings

TITLE / SIGN TYPE:  
Illuminated Building Letters



Illuminated Day/Night Blue/White  
SLB-EX-BL-2500x1500-I-B



Illuminated White  
SLB-EX-BL-2500x1500-I-W

DRAWING:  
013964-01 R16 13.03.24 MC

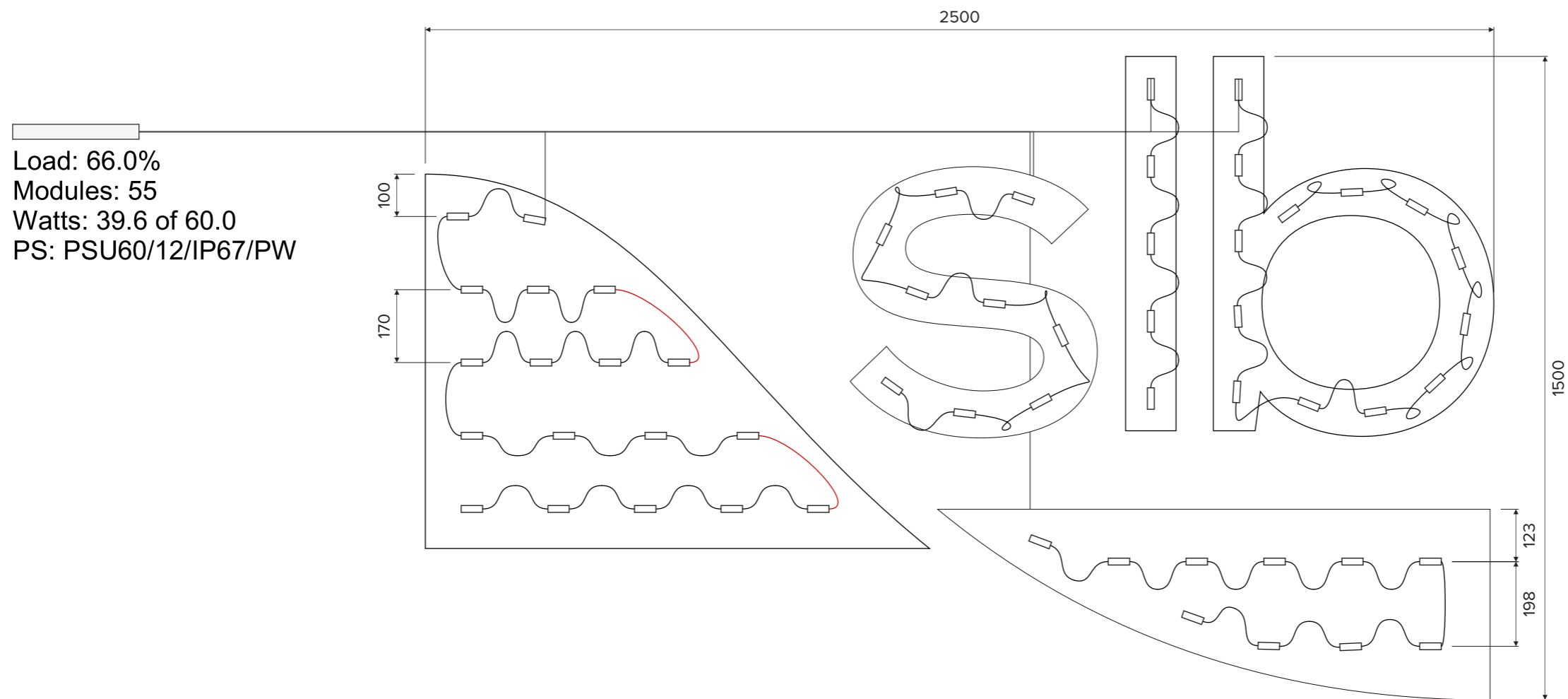
REVISION NOTES:  
- Updated to show product specific sizing, fixing and trim details. Added panel retention rim.



Dimensions are in millimetres (mm) and within ± 3mm unless otherwise specified. Sizes are shown as width (w) x height (h) x depth (d) and scaled @A3. All construction products are to EN 1090 EXC 2 and ISO 5817 level C. Fillet welds will be a minimum leg length of 5mm unless otherwise specified.

© This drawing is the property of Pearce Signs Ltd.

SHEET:  
13 of 46



Load: 66.0%  
Modules: 55  
Watts: 39.6 of 60.0  
PS: PSU60/12/IP67/PW

55 Modules: Oshino - Nova 2 module 6500K 12V - Nova2  
55 Total Modules  
39.6 Watts  
1 Power Supply: Oshino - PSU60/12/IP67/PW

|                         |                         |                         |                         |                         |
|-------------------------|-------------------------|-------------------------|-------------------------|-------------------------|
| L                       | L                       | L                       | L                       | L                       |
| 18 mods                 | 9 mods                  | 5 mods                  | 10 mods                 | 13 mods                 |
| 13.0 w                  | 6.5 w                   | 3.6 w                   | 7.2 w                   | 9.4 w                   |
| 31.6 mod/m <sup>2</sup> | 71.9 mod/m <sup>2</sup> | 69.3 mod/m <sup>2</sup> | 29.7 mod/m <sup>2</sup> | 73.0 mod/m <sup>2</sup> |