

Window Schedule					
Window Reference	Approx. window size (m)	Location of Window	Existing type of window	Proposed type of window	notes
w1	1.3 x 1.81	North West Elevation, gfl living space	Single glazed timber sash window	Double glazed timber sash window glazing panes 2 over 2	Meeting rail raised above centreline to match existing decorative horns to be added to top sash sills at the meeting rails to match existing. Internal face of window to be left unpainted but treated with a proprietary wood oil. Wood selected to compliment adjacent panelling.
w2	1 x 1.5	North West Elevation, fl bed 2	Single glazed timber sash window	Double glazed timber sash window glazing panes 2 over 2	Meeting rail raised above centreline to match existing decorative horns to be added to top sash sills at the meeting rails to match existing. Internal face of window to be left unpainted but treated with a proprietary wood oil. Wood selected to compliment adjacent panelling.
w3	0.9 x 1.5	North West Elevation, fl bed 3	Single glazed timber sash window	Double glazed timber sash window glazing panes 2 over 2	Meeting rail raised above centreline to match existing decorative horns to be added to top sash sills at the meeting rails to match existing.
w4	0.5x1 casement, 0.45x1 side lights	North West Elevation, fl bed 4	Dormer window with single glazed central opening casement and fixed side lights	Double glazed timber sash window glazing panes 2 over 2	Decorative horns to be added to top sash sills at the meeting rails to match existing.
w5	0.8 x 1	South East Elevation, gfl utility	Single glazed casement window	Double glazed timber sash window glazing panes 2 over 2	Decorative horns to be added to top sash sills at the meeting rails to match existing.
w6	1 x 1.6	South East Elevation, gfl kitchen	Single glazed timber sash window	Existing window to be retained	
w7	-	South East Elevation, gfl sitting room	bay window with fixed side lights and central french windows/doors	Bay window to be removed as part of the works	
w8	0.9 x 1.5	South East Elevation, fl bathroom	Single glazed timber sash window	Double glazed timber sash window glazing panes 2 over 2	Decorative horns to be added to top sash sills at the meeting rails to match existing.
w9	1 x 1.5	South East Elevation, fl bedroom 1	Single glazed timber sash window	Double glazed timber sash window glazing panes 2 over 2	Decorative horns to be added to top sash sills at the meeting rails to match existing.
w10	0.5x1 casement, 0.45x1 side lights	South East Elevation, fl bed 5	Dormer window with single glazed central opening casement and fixed side lights	Double glazed timber sash window glazing panes 2 over 2	Decorative horns to be added to top sash sills at the meeting rails to match existing.
w11	1 x 1	South East Elevation, fl bed 5	Velux rooflight	Rooflight to be retained	
w12	0.45 x 0.60	North East Elevation, gfl wc	Single glazed timber casement window	Double glazed timber casement with matching glazing bars to existing	
w13	0.78 x 2.9	North East Elevation, fl stair	Single glazed stain glass window	Existing window to be retained	

replacement windows in yellow



North West Elevation scale 1:100

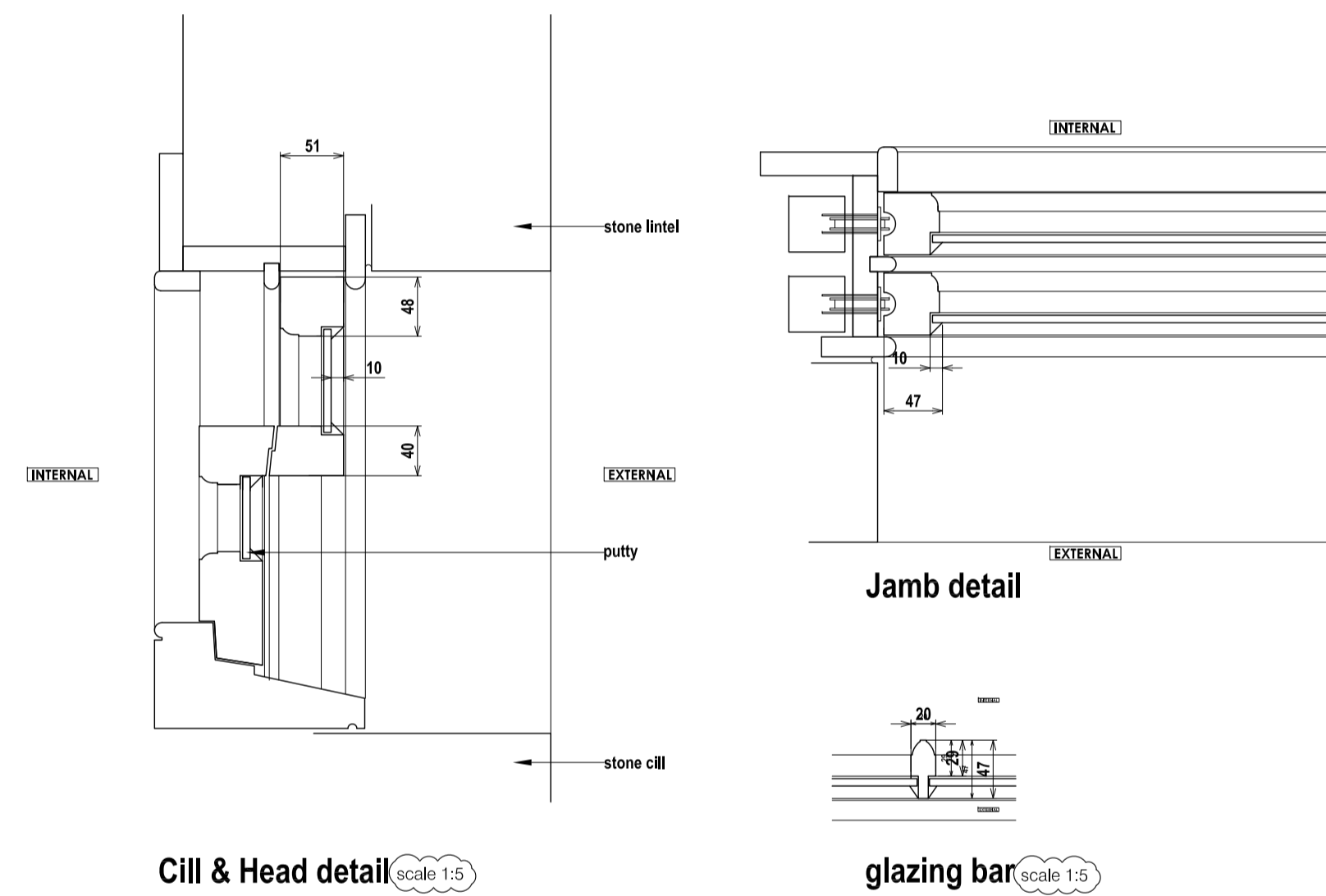


South East Elevation scale 1:100



North East Elevation scale 1:100

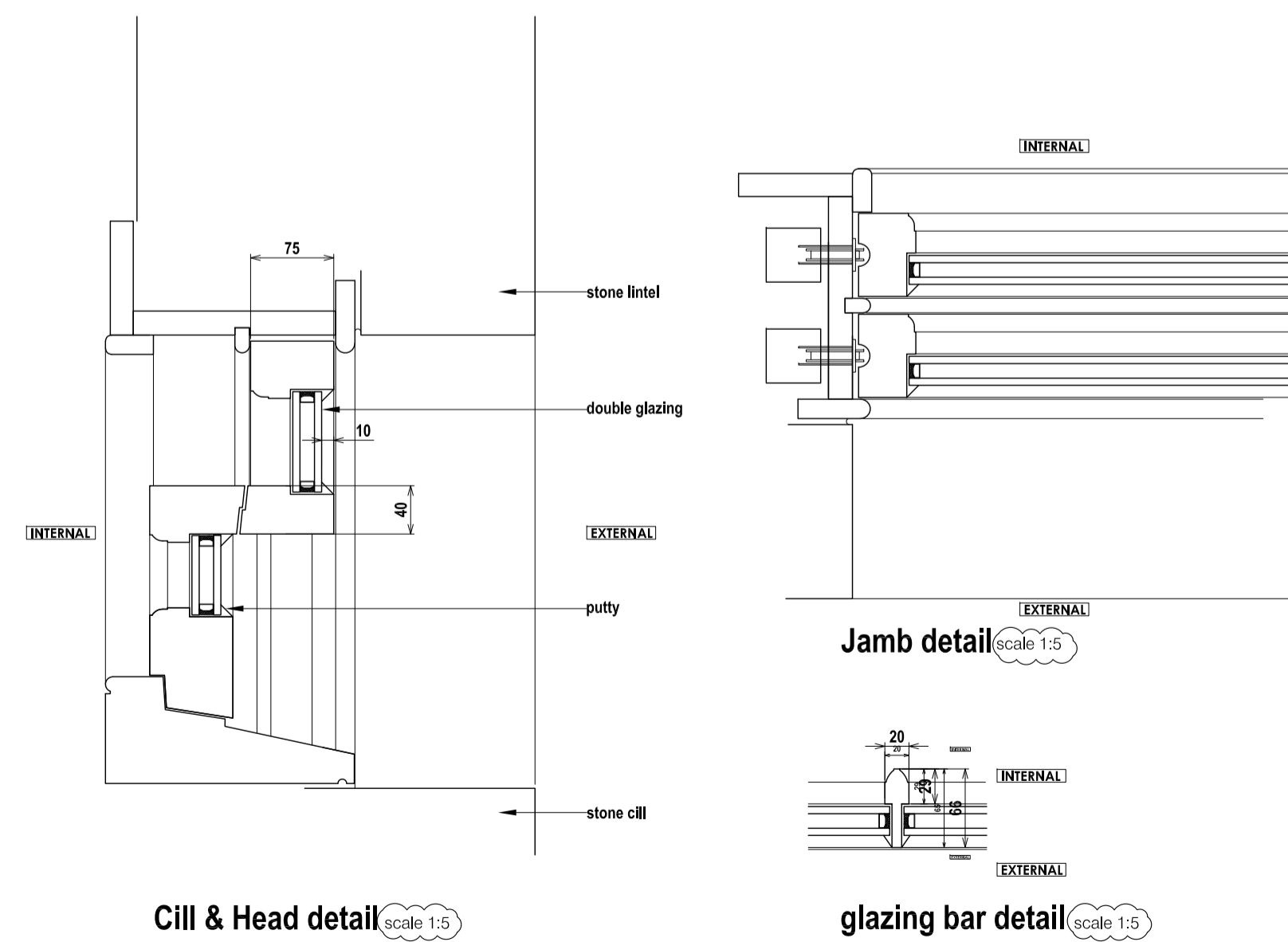
Existing sash window



Cill & Head detail scale 1:5

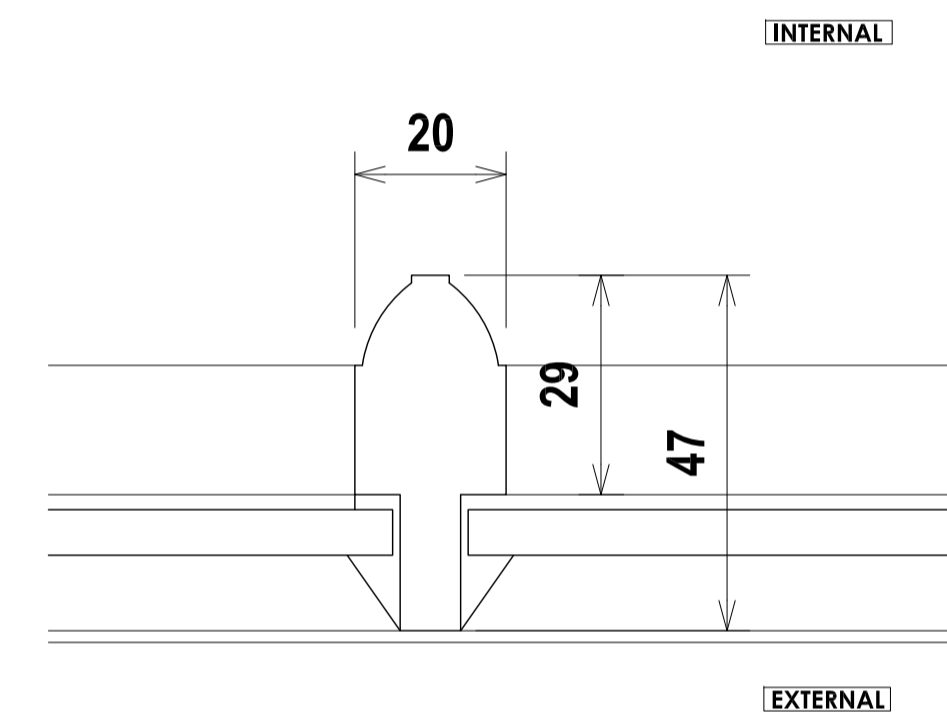
glazing bar scale 1:5

Proposed sash window

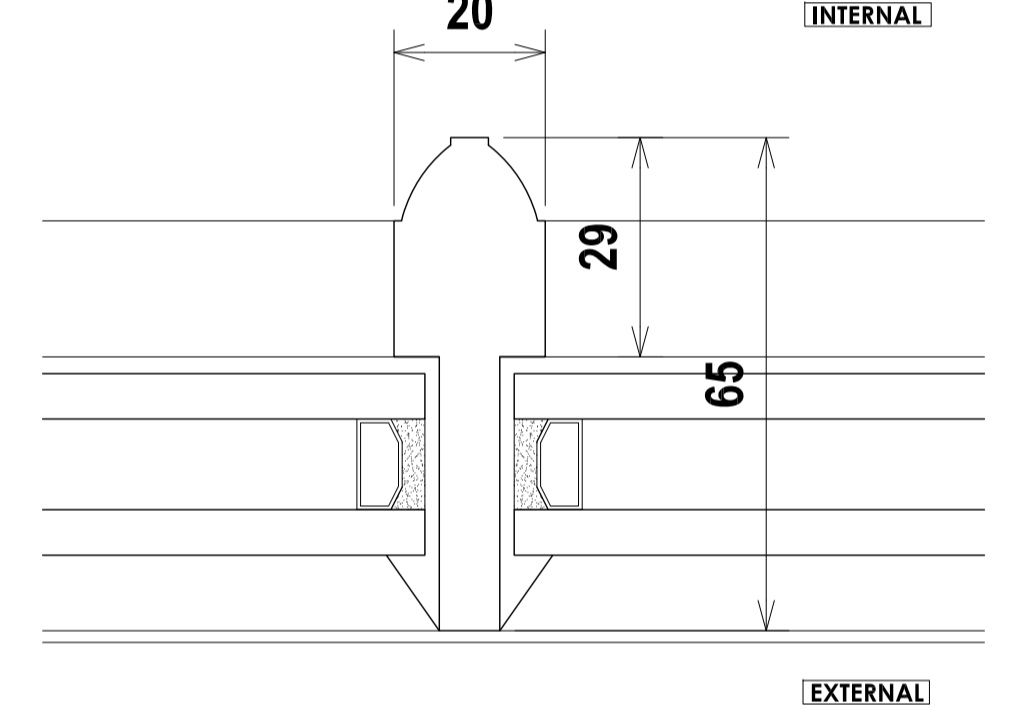


Cill & Head detail scale 1:5

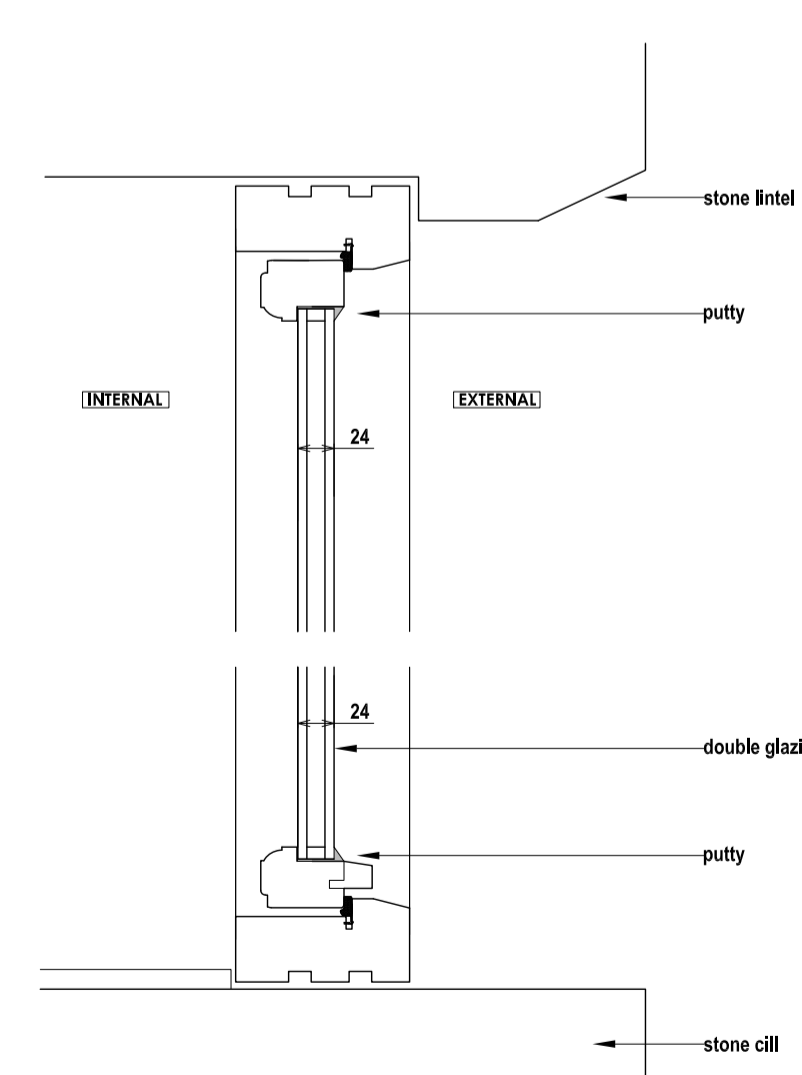
glazing bar detail scale 1:5



Existing glazing bar detail scale 1:1

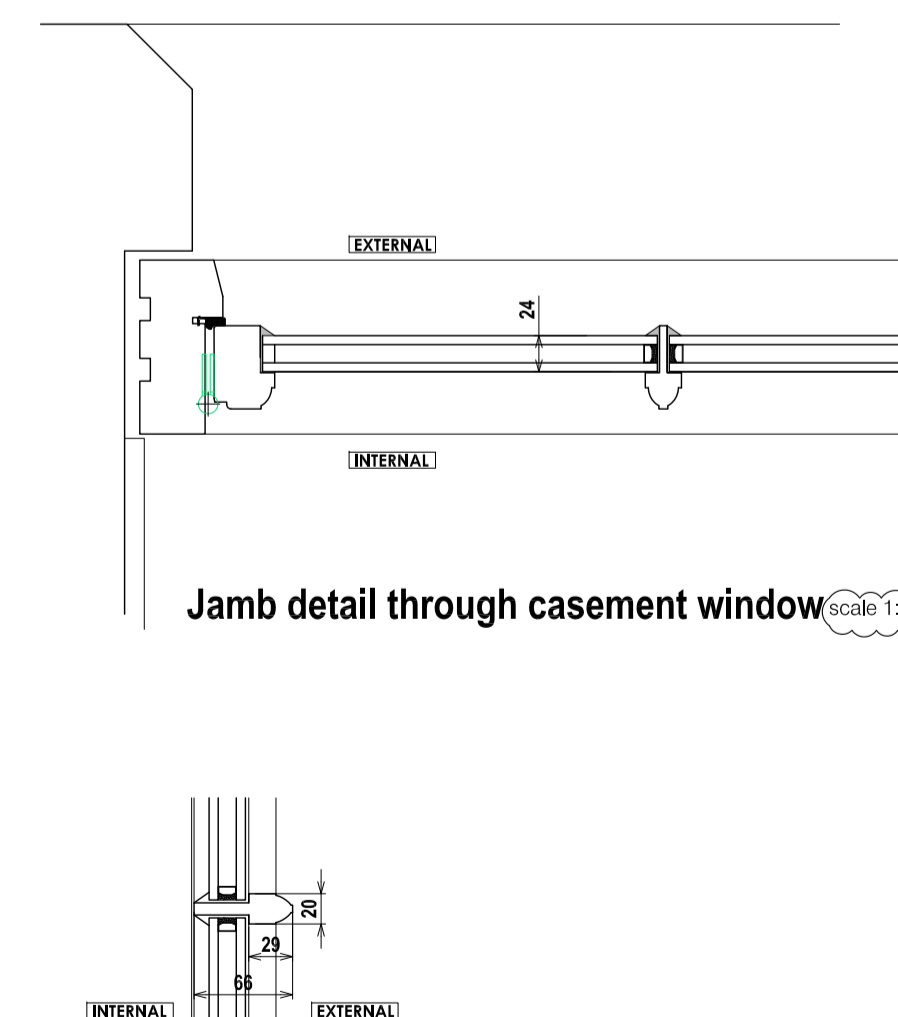


Proposed glazing bar detail scale 1:1



section scale 1:5

Proposed casement window



Jamb detail through casement window scale 1:5

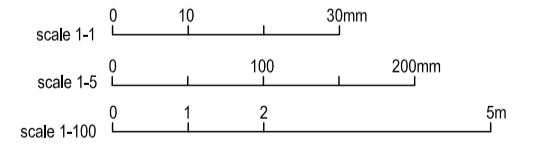
glazing bar scale 1:5

Summary

The clients wish to replace the existing single glazed windows to improve the comfort and thermal performance of the dwelling. The proposed replacement window units will match the profiles and style of each replaced window but with double glazed units to improve on the thermal and acoustic performance. Each replaced window will be carefully removed and measured window by the manufacturers and installers to ensure replacement window units match all existing profiles.

Revisions

RevA 11.04.2024 - Scale note 1:5 added at window details and sections for clarity. 1:1 of existing and proposed glazing bars added.



<p>CREW ARCHITECTS 4-6 Coltrbridge Avenue Edinburgh EH12 6AH t. 0131 2299280 info@crewarchitects.com www.crewarchitects.com</p>		<p>PURPOSE OF ISSUE PLANNING PERMISSION</p> <p>PROJECT Rosemay, Elle</p> <p>CLIENT Mr and Mrs Kelly</p> <p>DWG TITLE WINDOW SCHEDULE + DETAILS</p>	
SCALE 1:50 @ A1 1:100 @ A1	DATE FEB 2024	DWG NO 094-10	REV A