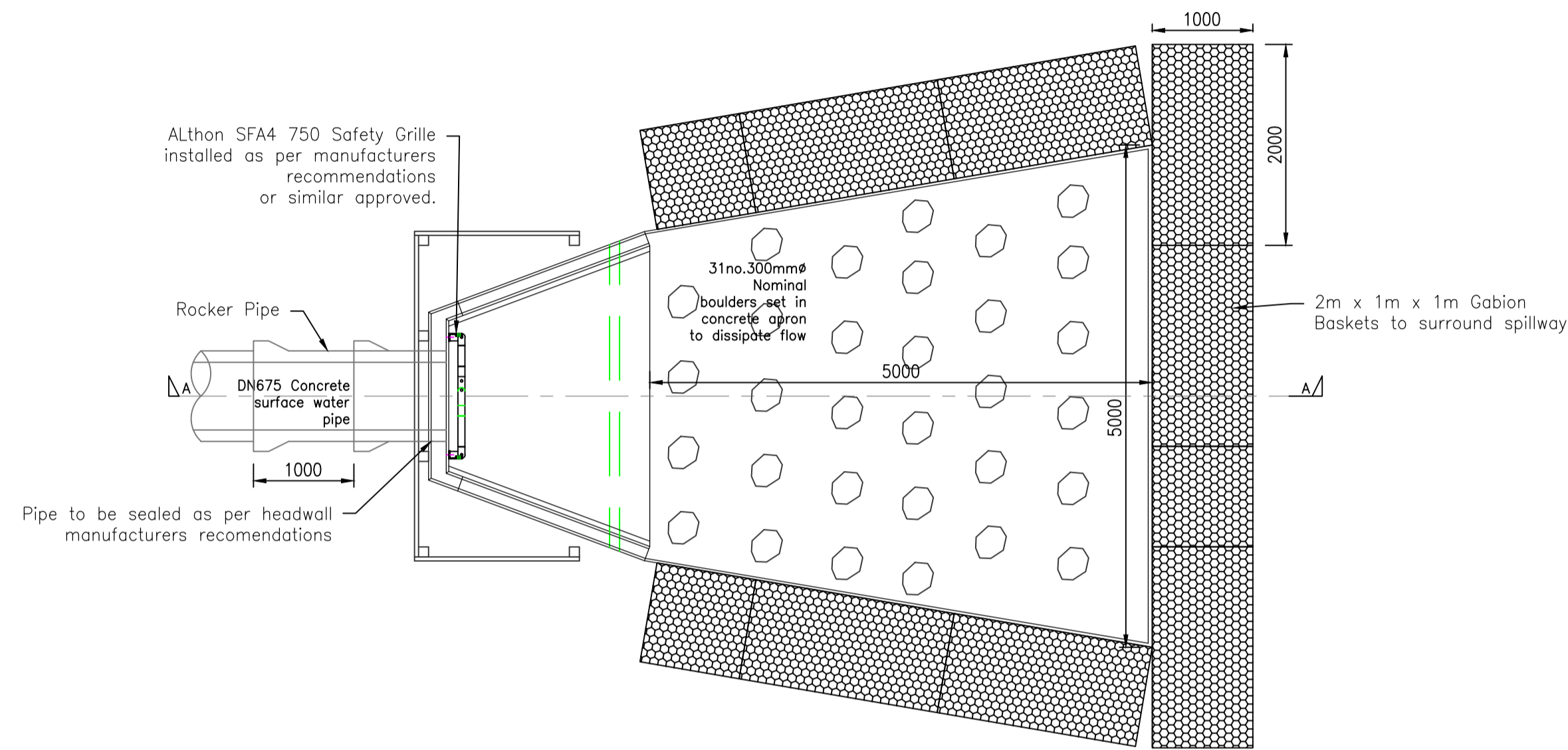
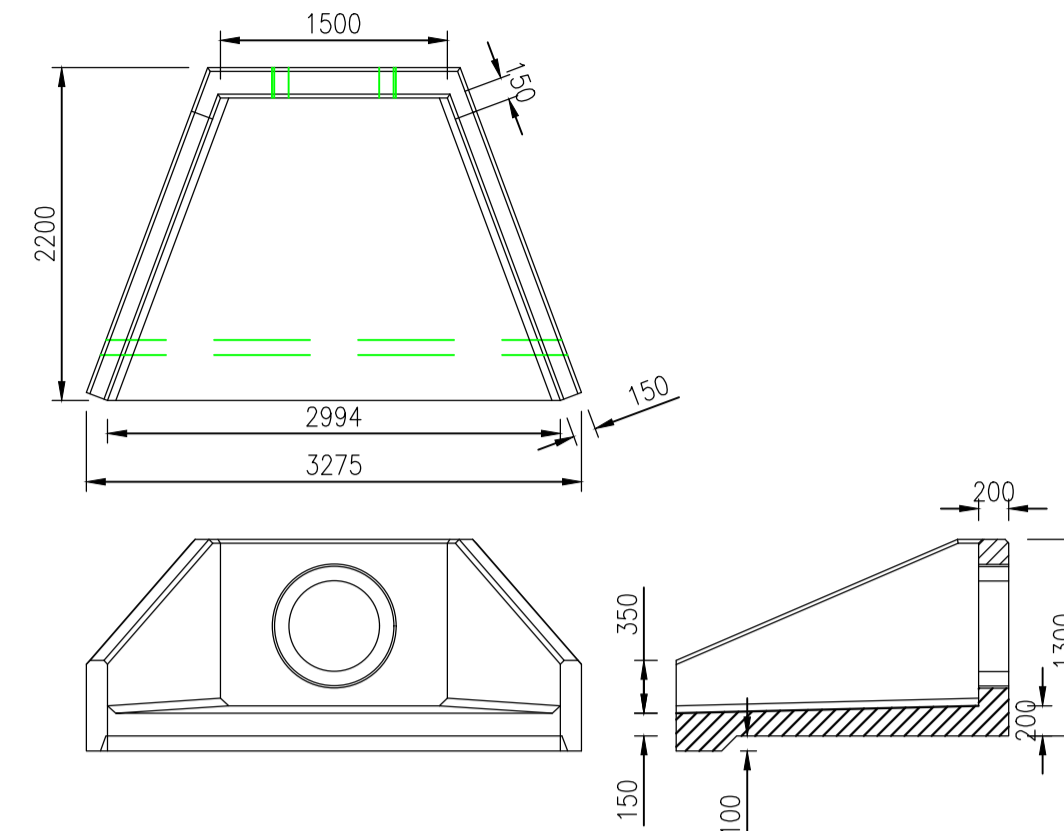


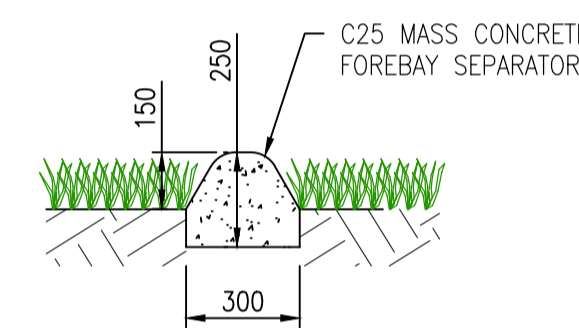
SECTION A-A
Approx headwall weight = 5000KG
(Scale 1:50)



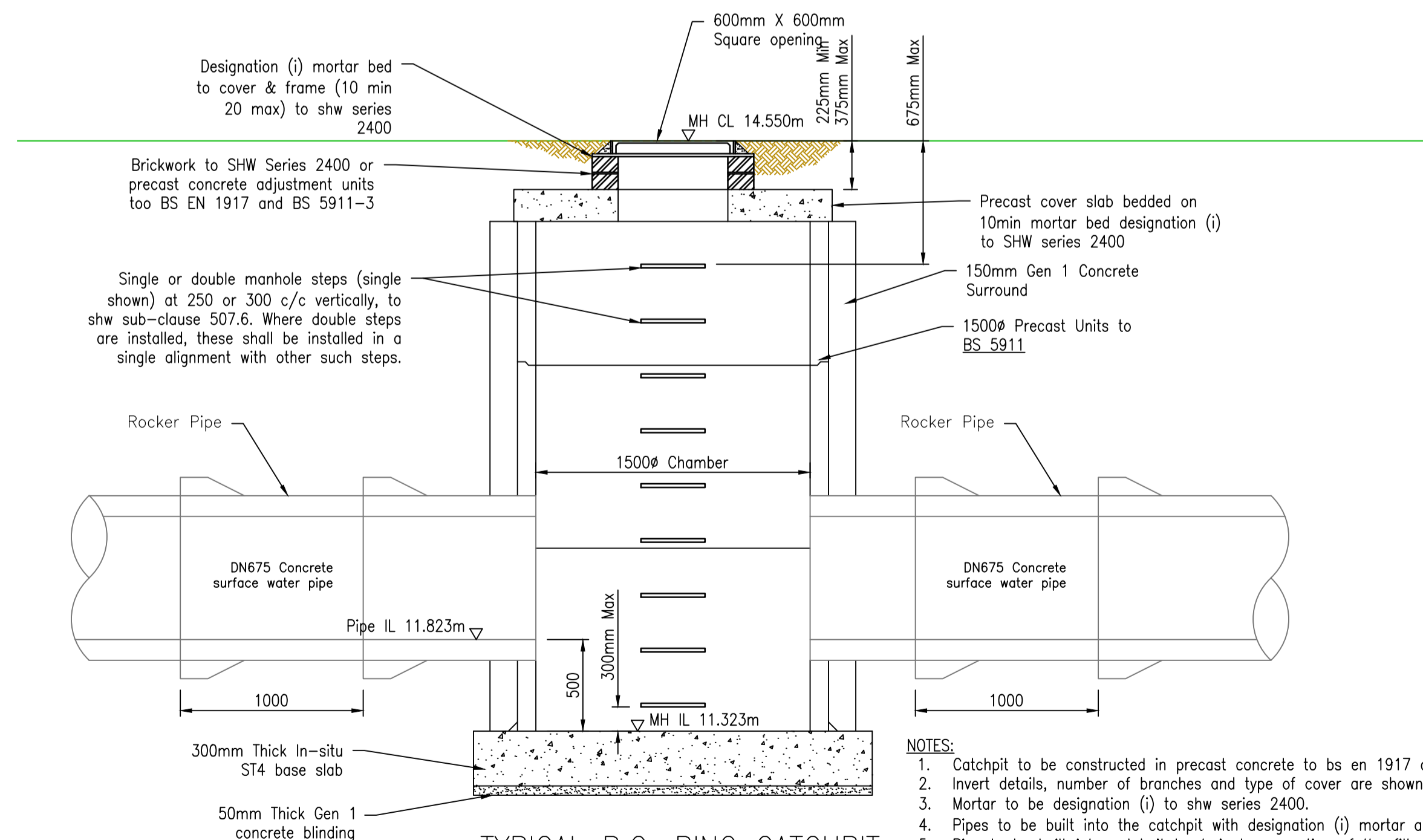
PLAN ON SURFACE WATER OUTLET TO INFILTRATION BASIN DETAIL
(Scale 1:50)



ALTHON SFA15A HEADWALL DETAIL OR SIMILAR APPROVED
(SCALE 1:50)



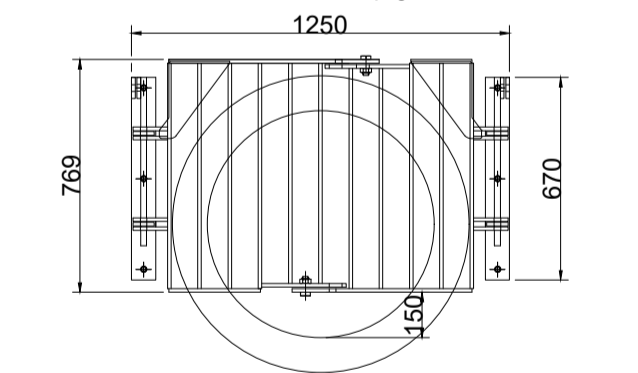
FOREBAY/INFILTRATION BASIN SEPARATOR DETAIL
(SCALE 1:20)



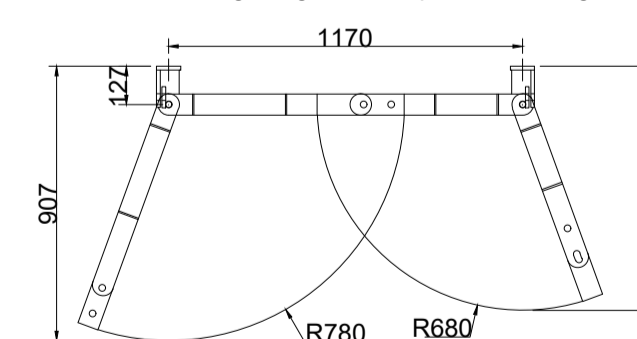
TYPICAL P.C. RING CATCHPIT DETAIL
(Scale NTS)

- NOTES:**
- Catchpit to be constructed in precast concrete to bs en 1917 and bs 5911-3.
 - Invert details, number of branches and type of cover are shown on the manhole schedule.
 - Mortar to be designation (i) to shw series 2400.
 - Pipes to be built into the catchpit with designation (i) mortar are shown on the manhole schedule.
 - Pipe to be built into catchpit to drain lower portion of the filter drain.
 - The cover & frame to be set as dimensioned below the adjacent:
 - hard shoulder (for verges)
 - hard strip (for dual 2 central reserve)
 - finished level in other locations
 - See shw, sub-clause 507.7 regarding backfilling/surround to chamber.
 - All st concrete shall be to shw, clause 2602.

Grating manufactured from 70 x 12 flat at 100mm centres spaced 92mm away from the back wall. Fully Welded and hot dip galvanised.



Plan view of grating with wall plates and hinges.



ALTHON SFA15A HEADWALL GRATING DETAIL OR SIMILAR APPROVED
(SCALE 1:25)

Do not scale from this drawing.

SAFETY HEALTH AND ENVIRONMENTAL INFORMATION

IN ADDITION TO THE HAZARD/RISKS NORMALLY ASSOCIATED WITH THE TYPES OF WORK DETAILED ON THIS DRAWING, NOTE THE FOLLOWING RISKS AND INFORMATION.

RISKS LISTED HERE ARE NOT EXHAUSTIVE. REFER TO DESIGN ASSESSMENT FORM NO.

CONSTRUCTION
250mm Ø SCOTTISH WATER ASBESTOS CEMENT WATER MAIN ADJACENT TO NORTH EAST SITE BOUNDARY. INUNDATION OF CANAL WATER TO CONSTRUCTION SITE DUE TO CANAL LOCK FAILURE.

DEMOLITION
NONE THAT COULD NOT BE FORESEEN BY A COMPETENT CONTRACTOR.

FOR INFORMATION RELATING TO USE, CLEANING AND MAINTENANCE SEE THE HEALTH AND SAFETY FILE

IT IS ASSUMED THAT ALL WORKS WILL BE CARRIED OUT BY A COMPETENT CONTRACTOR WORKING, WHERE APPROPRIATE, TO AN APPROVED METHOD STATEMENT.

- Notes:**
- Do not scale from this drawing
 - All dimensions are in meters unless specified otherwise.
 - All sewers and manholes to be laid and constructed in accordance with "SEWERS FOR SCOTLAND 4TH EDITION".
 - Refer to Fairhurst drawing 149592/2200 & 2201 for drainage layout plan sheets 1 & 2.
 - Refer to Fairhurst drawing 149592/2202 - 2204 for drainage longitudinal sections.
 - Refer to Fairhurst drawing 149592/2206 for drainage construction details.
 - Refer to Fairhurst drawing 149592/2208 infiltration basin sections.

Rev.	Date	Description	Drawn	Chkd.	Appd.

FAIRHURST
Elvie House
Beechwood Business Park
INVERNESS
K2 3BW
Tel: 01463 724 544
Fax: 0844 381 4412

The Highland Council
Comhairle na Gàidhealtachd

Project Title:
NEW HOUSING TORVEAN NORTH

Infiltration Basin
DETAILS PHASE 1

Scale of A1:		Status:	
AS SHOWN	For Approval	Checked:	Approved:
Drawn: SM	Checked: RMS	Checked: JP	Approved: JP
Date: 11/03/24	Date: 13/03/24	Date: 15/03/24	Date: 15/03/24

Drawing No.: **149592/2207** Revision: **-**