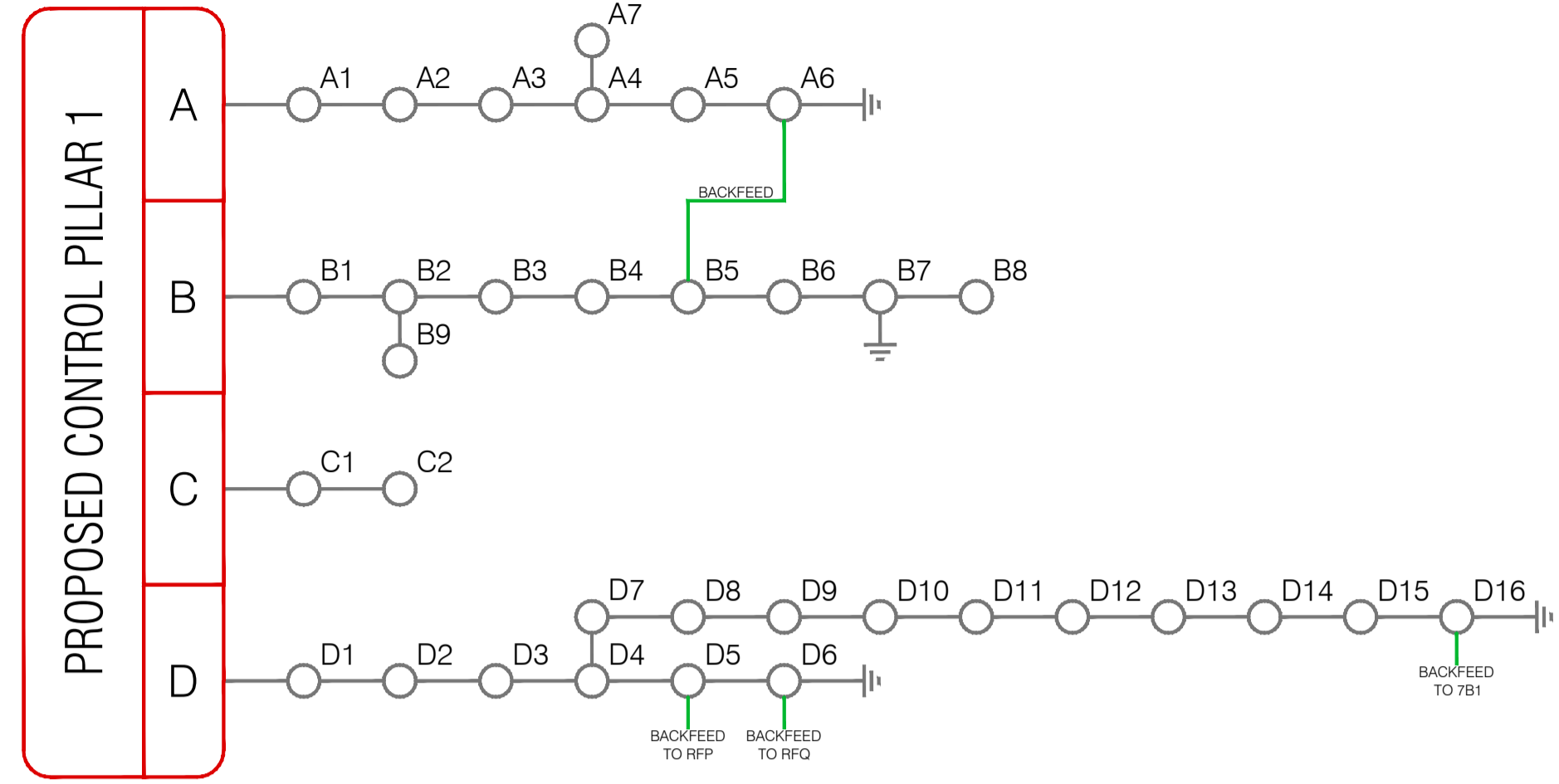


SCHEMATICS



Ducting and cable provision from the feeder pillar to be left in place for phase 2 works

Ducting and cable provision from column B6 to be left in place for phase 2 works

Copyright, Designs and Patents Act 1988. This drawing may not be reproduced, copied or used in any way without the written permission of the Head of Service.

© Crown copyright and database rights (2024) OS 100023369. You are granted a non-exclusive, royalty free, revocable licence solely to view the Licensed Data for non-commercial purposes for the period during which The Highland Council makes it available. You are not permitted to copy, sub-license, distribute, sell or otherwise make available the Licensed Data to third parties in any form. Third party rights to enforce the terms of this licence shall be reserved to OS.

EXISTING EQUIPMENT

- STREET LIGHTING COLUMN
- STREET LIGHTING COLUMN TO BE REMOVED
- CABLE - INDICATIVE
- DUCT ACCESS CHAMBER TO BE REMOVED

PROPOSED EQUIPMENT

- FEEDER PILLAR, AS PER DRAWING: SL-SD-02
- 10M ALUMINIUM COLUMN, EXISTING URBIS AMPERA 5103 112LED NW 500MA, 1.5M 60MM SIDE ENTRY BRACKET
- 8M ALUMINIUM COLUMN, PHILIPS LUMISTREET MINI 40LED DM32 SETTING 3, 76MM POST TOP
- 6M ALUMINIUM COLUMN, PHILIPS LUMISTREET MICRO 20LED DW52 SETTING 1, 76MM POST TOP
- 6M ALUMINIUM COLUMN, TRT OPTO NANO GA2 27W, 76MM POST TOP
- 5M ALUMINIUM COLUMN, PHILIPS LUMISTREET MICRO 20LED DW52 SETTING 3, 76MM POST TOP
- 5M ALUMINIUM COLLAPSIBLE COLUMN, PHILIPS TOWNTUNE ASYMMETRIC DM50 OPTICS, SETTING 2, 76MM POST TOP
- 100MM INTERNAL DIAMETER SMOOTH BORE PURPLE DUCT AT 900mm
- 100MM INTERNAL DIAMETER SMOOTH BORE PURPLE DUCT AT 150mm
- 10MM3C SWA CABLE TO BS5467, VIOLET OUTER SHEATH 1250m
- 16MM3C SWA CABLE TO BS5467, VIOLET OUTER SHEATH 75m
- 10MM3C SWA CABLE TO BS5467, VIOLET OUTER SHEATH, TO BE LEFT DISCONNECTED AS BACKFEED 100m
- EARTH ROD, AS PER DRAWING: SL-SD-06
- DUCT ACCESS CHAMBER, POLYPROPYLENE 300X450MM, AS PER DRAWING: SL-SD-08

LIGHTING INSTALLATION NOTES

- The Highland Council Lighting Section requires payment in advance of 6 weeks prior to works commencing on site. This is to ensure that materials required are ordered with enough lead time.
- All street lighting materials: ducting (including spare ducting for future use), underground cabling, draw ropes, marker tape, lighting columns, lighting bollards, uplighting, and sign poles will be provided by The Highland Council Lighting Section following receipt of payment in full of all costs.
- All materials shall be supplied by the contractor from the appropriate Highland Council Depot unless otherwise agreed with the Lighting Engineer.
- All electrical installation will be carried out by The Highland Council Lighting Section Electricians. A minimum of 48 hours notice is required of any requirement for an electrician unless an emergency attendance is required.
- The main contractor will liaise with the Council and carry out the excavation works and sequence their programme to co-ordinate with the lighting installation. The main contractor will carry out all civil engineering works associated with the street lighting, spare ducting, uplighting, lighting bollards and feeder pillar installations.
- This installation shall be in accordance with and comply with the requirements of the latest IEE wiring regulations (BS 7671), the installation specifications for the lighting of roads as specified in the Design Manual for Roads & Bridges and Highland Council's Standards for Development Roads.
- All lighting underground cables to be drawn in a continuous 100mm internal diameter, plastic, smooth bore, corrugated, purple duct to BS5056-2 4 pipe 450mm as agreed with IA 105. All ducts are to have draw ropes installed. See standard detail drawing SL-SD-01.
- All duct/cable routes shown are indicative. The exact position of all new lighting apparatus must be agreed and positions marked on-site by a representative from The Highland Council Lighting Section.
- Where work is being carried out on existing lighting apparatus, the supply to the particular apparatus must be isolated prior to any works commencing. This must be done by a Highland Council Lighting Section Electrician.
- Columns of 6 metres and above will require to be loaded on the Contractor's vehicle by means of a Hi-Ab, the Contractor must ensure that the vehicle uplighting the columns has this loading facility.
- The power supplies to the new street lighting feeder pillars are to be arranged by The Highland Council through SSEN. If the power supply is to be provided via an IDNO, The Highland Council Lighting Section is to be notified prior to any works commencing on site for suitable arrangements to be made.
- The contractor must take precautionary measures when locating and excavating around Public Utility plant. Particular reference must be made to IEP Codes of Practice for Electrical Safety in Highway Electrical Operations, G56 - Avoidance of Danger from Overhead Electrical Power Lines and G56A - Avoiding Danger from Underground Services.

REVISION DETAILS	BY	DATE	REV

The Highland Council
Comhairle na Gàidhealtachd

Infrastructure & Environment
Malcolm MacLeod, Executive Chief Officer
LIGHTING & COMMUNICATIONS - SOUTH
The Highland Council - Diriebuight Depot
94 Diriebuight Road
Inverness IV2 3QN

LIGHTING & COMMUNICATIONS ENGINEER
PHONE: 01463 644209
EMAIL: neill@highland.gov.uk

PROJECT: Torvean North Phase 1 and 2 Inverness

CLIENT: The Highland Council

TITLE: Street Lighting Proposals

DRAWN BY: AL	DATE: 16/02/2024	STATUS: For Review
CHECKED BY: NF	DATE: 16/02/2024	
JOB NUMBER: TBC	DRAWING NUMBER: SL-23-017	
SCALE AT A1: 1:500	FILE NUMBER: 2112	REVISION: