

LANDSCAPE SPECIFICATION

SITE PREPARATION

Topsoil

Existing topsoil shall be stripped before building works begin. Imported topsoil shall be to BS3882: 2015 Specification for Topsoil. Topsoil shall be multi-purpose grade, of medium texture, with a high proportion of fertile loamy material. It shall be free from subsoil, rubbish, contamination, roots of perennial weeds and other materials injurious to plant growth. The maximum stone content of the soil shall be 20%, with the maximum size of stone 25mm in any one dimension. All topsoil shall be stacked in heaps, not exceeding 2m high. During storage, topsoil heaps shall be kept free from compaction, contamination and weeds to BS3882: 2015. Stripped and stored topsoil for reuse on site to be tested to BS3882: 2015 certification, soil to be improved to meet standards prior to reuse if required.

Excavation

Excavation shall NOT be undertaken with machinery within the root protection area of any existing trees or shrubs to be retained. Areas requiring excavation under existing trees are to be hand dug with an arboriculturalist present to oversee the work. Unless otherwise indicated areas to be planted / seeded shall be cleared of all surface rubbish and excavated to the dimensions below finished level as follows, when the soil is not waterlogged or frozen. Ensure the location of all services is known before any excavation operations.

Tree pits: 1500 x 1500 x 650mm deep unless otherwise shown OR Excavated as per specified details
Shrub and hedge pit / trench: 300mm deep
Grass areas: 300mm deep
Wildflower grassland areas: Excavate to finished levels

The base of excavated areas shall be forked or otherwise cultivated to a depth of 150mm to facilitate drainage and all bricks, stones and other debris, etc. over 75mm in any one dimension shall be removed. Similarly, areas trafficked by construction vehicles shall be ripped to a depth of 150-300mm to relieve compaction.

Backfilling with Subsoil

Where excavated areas are lower than the required depths, excavations shall be backfilled with selected subsoil and lightly consolidated to make up levels. Selected subsoil shall be friable, second quality topsoil or similar and be free of rubbish, roots, stones over 75mm in any one dimension, perennial weeds or other materials injurious to plant growth to BS8601: 2013.

Backfilling with Topsoil

Tree, shrub and hedge pit / trench excavations shall be backfilled, in layers, with clean topsoil (as specified above) thoroughly mixed with planting compost e.g. 'Melcourt Topgrow' compost at a rate of 20 litres/m². An approved tree and shrub fertilizer shall be added to topsoil, prior to backfilling tree-pits. Grass areas (excluding wildflower grassland areas) shall be backfilled with topsoil in layers of 150mm depth.

Cultivation

Prior to cultivation if planting / seeding areas are weed infested, weed growth to be strimmed, the arisings removed and re-growth consistently strimmed if it resurfaces OR treated with an approved herbicide ie Glyphosate. Treatment to be undertaken in the growing season preceding planting, at a minimum 4 weeks prior to works to allow for repeat treatment if necessary.

Cultivation shall not be undertaken within the root protection area of any trees / shrubs to be retained, without prior agreement from the Local Planning Authority. Topsoil shall be cultivated by hand or machine prior to planting, with minimal compaction by machine. Cultivate to the following depths and tilth, removing all rubbish, vegetation, perennial weeds, roots, stones over 25mm in any one dimension and rake to even levels.

Planting areas: 300mm deep cultivation to medium tilth
Grass seeding areas: 150mm deep cultivation to fine tilth raked to a smooth evenly firmed bed
Turf areas: 150mm deep cultivation to medium tilth raked to a smooth evenly firmed bed
Wildflower grassland areas: 150mm deep cultivation to medium tilth raked to a smooth evenly firmed bed

Wildflower grassland areas: Where un-excavated areas are to be seeded with wildflower grassland mix the topsoil shall be cultivated to turn the soil over to a depth of 300mm to bring subsoil to the surface. Elsewhere, excavated areas to be seeded with wildflower grassland mix to be backfilled to finished levels with subsoil (as above).

PLANTING

Plant Stock and Timing

Plant material and operations shall conform to BS8545 : 2014, BS 3936 Nursery Stock (Parts 1-10), BS 4428 : 1989, BS 4043 : 1989 and BS 5837 : 2012. The planting season shall be from the 1st November to the 1st March. Container grown stock may be planted outside this season if accompanied by daily watering, or as necessary to ensure healthy establishment. Planting shall not be carried out during periods of frost, drought, cold drying winds or when the soil is waterlogged or frozen.

Planting

All planting that is within the root protection area of existing trees/shrubs to be retained, shall be undertaken by hand and positions altered should tree roots be encountered, in order to avoid damage to the root system.

All plants shall be set out evenly over the areas as indicated, to the density and quantities shown. All plants shall be planted upright at the same depth as the nursery soil level and evenly spaced, leaving room for growth. All restrictive containers shall be removed with roots not twisted. Immediately following planting, all plants shall be watered-in to field capacity.

Container grown and root balled plants shall be planted in a planting pit sufficient to accommodate the plant without causing root damage, with a minimum 50mm backfill beyond the root ball extent. Plants to be firmed, watered-in and dead, damaged or lopsided branches shall be removed after planting. Bare-root plants shall be slit planted, incorporating an approved high phosphate, slow-release fertilizer.

Tree Planting and Support

Trees planted in landscape areas shall be underground guyed, using seven strand galvanised wire, with adjustable grippers, secured to 2 no. sleeper deadmen at the base of the tree pit unless otherwise specified.

OR

Trees planted in landscape areas shall be double staked and tied to timber crossbar positioned 25mm below the top of each stake, using 1no. biodegradable fixing with spacer. Tree stakes shall have a minimum top diameter of 75mm, with the length of stake maximum 500mm above ground and minimum 500mm below ground.

OR

Trees planted in landscape areas shall be installed as specified.

All trees to be firmed in after planting. All trees shall have irrigation / aeration system units fitted to fully surround the root ball.

Hedge Planting

Hedges shall be planted in a single row / double staggered row as per detail. Dead, damaged or straggly branches shall be removed after planting. All transplants in hedge and native mixes shall be fitted with individual protection i.e. shrub shelters, spiral guards as specified, or alternatively the planting areas shall be protected with rabbit-proof fencing. All shrub shelters / spiral guards shall be black or green, adequately supported and installed to allow for expansion.

Mulching

Prior to the application of mulch the planting areas shall be completely weed free and watered sufficiently to achieve field capacity. The surface of the planting areas shall be mulched with a minimum 75mm depth layer of 15-65mm nominal particle size, dark, matured woodchip mulch, ensuring that the low branches of trees, shrubs and/or herbaceous plants are NOT smothered.

OR

The surface of the planting areas shall be mulched with a biodegradable or photodegradable sheet mulch, pegged with a min 200mm edge buried. A minimum 50mm depth layer of 15-65mm nominal particle size, dark, matured woodchip mulch shall be laid on top, ensuring that the low branches of trees, shrubs and/or herbaceous plants are NOT smothered.

Mulch shall be an approved product and completely weed and weed seed free. The mulch shall be topped-up to maintain, after settlement, a depth of not less than 50mm. Trees in grass areas shall be planted centrally within a 1m diameter mulch bed, to be mulched to 75mm deep. The surface of mulch to be 10mm below the surface of adjacent lawn / hard surface.

GRASS AREAS

Turf

Turf shall accord with BS 3969: 1998, it shall be good quality meadow / cultivated, amenity turf free from weeds and be laid on even, prepared ground (as detailed above), during periods of suitable warm and moist weather conditions. Pre-turfing fertiliser shall be applied to manufacturer's recommendations and turf shall be laid in accordance with BS 4428: 1989.

Turf shall be laid with broken joints well-butted up, working from timber planks to avoid damaging turf when laying. Water as necessary to avoid shrinkage and achieve satisfactory establishment. Undertake good horticultural practice to ensure establishment of a healthy grass sward.

Grass Seeding

Areas of amenity grass shall be seeded with a general amenity grass mix as specified during the period March to May or September to October, during periods of moist, warm weather conditions without significant wind. Pre-seeding fertiliser shall be applied to manufacturer's recommendations. Seed shall be sown on even, prepared ground (as detailed above), at a rate of 35g/m² or as specified, in two transverse operations. Lightly roll seed bed after sowing. Water as necessary to avoid shrinkage and achieve satisfactory establishment. Undertake good horticultural practice to ensure establishment of a healthy grass sward.

Wildflower Grassland Seeding

Areas of wildflower grassland shall be seeded with a wildflower grassland mix suitable for the soil type as specified, during the period March to May or September to October, during periods of suitable warm and moist weather conditions. Seed shall be sown on prepared ground (as detailed above), at a rate of 5g/m² or as specified. Lightly roll seed bed after sowing. Water as necessary to avoid shrinkage and achieve satisfactory establishment. Undertake good horticultural practice to ensure establishment of a healthy wildflower grass sward.

AFTERCARE PERIOD

Regular Visits

During the specified Aftercare Period maintenance visits shall be carried out, at least monthly from April to September and twice during the dormant season to carry out the following operations to establish healthy growing plants / grass in weed free areas: watering, firming-up, removal of litter, pest and disease control, general pruning, checking guards, ties and stakes, weed control, grass cutting and autumn tidying. All arisings shall be carted away and the site shall be left clean and tidy at all times.

Watering

All planting and grass areas shall not be allowed to dry out and shall be kept well watered during the growing season, ensuring the soil is kept moist at all times but avoiding waterlogging.

Replacement Planting

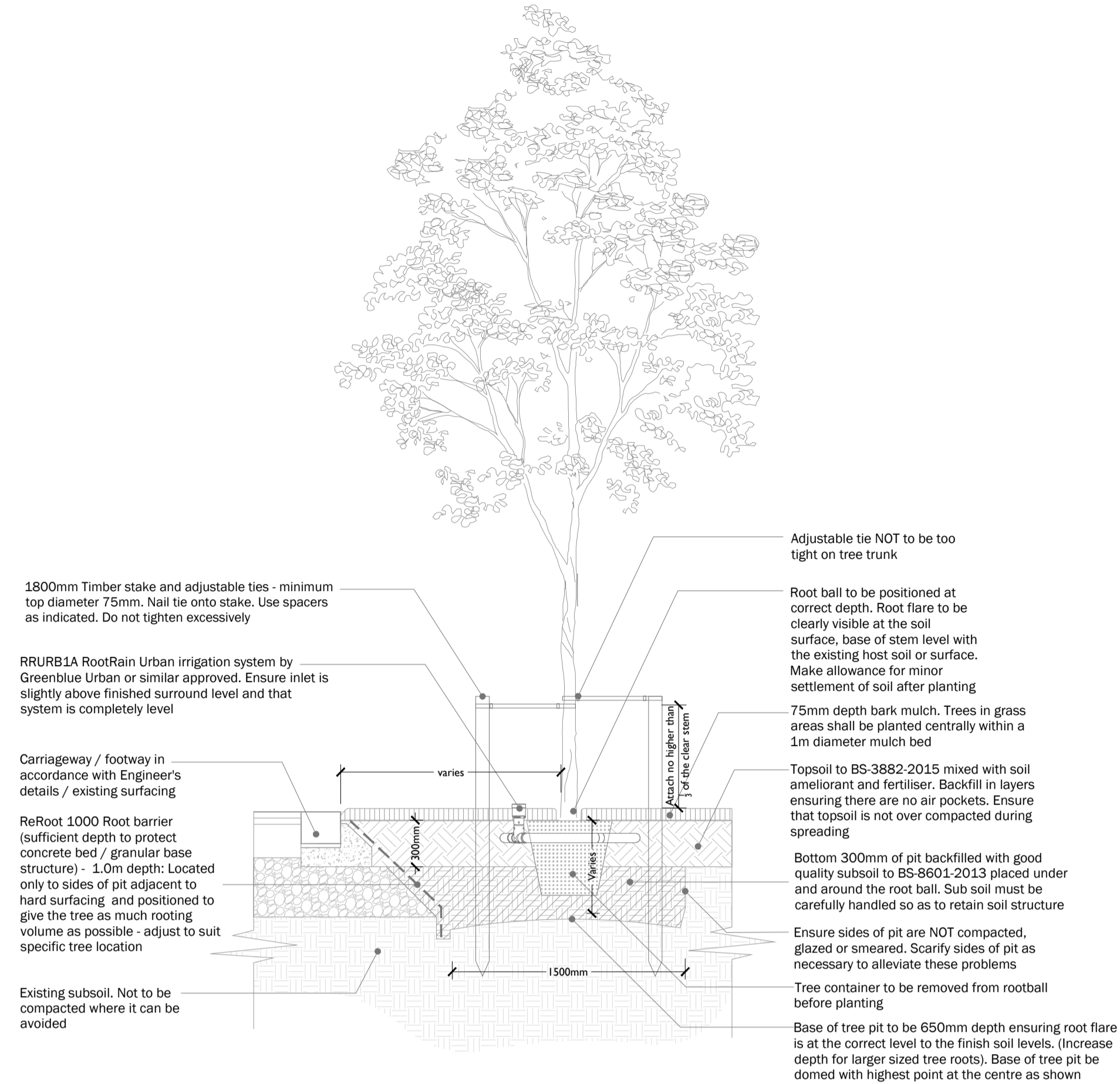
During each August within the Aftercare Period an inspection shall be made and all plants that have died, are missing, damaged or have failed to thrive, shall be noted and replaced in the following planting season.

Grass Cutting

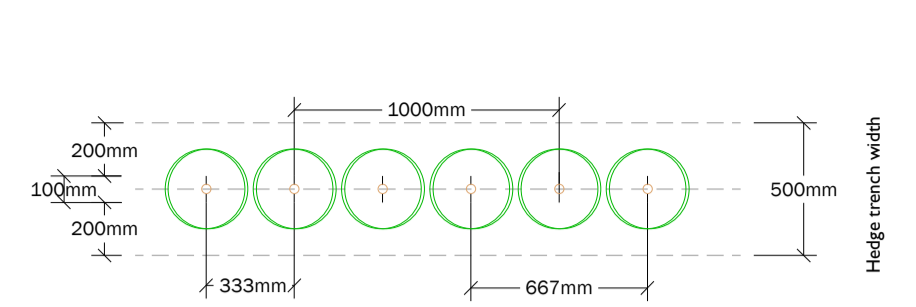
During the first and subsequent growing seasons amenity grass shall be kept at a height of 25mm to 50mm. Any bare patches are to be resown. Selective weed control shall be undertaken as necessary once the sward is sufficiently established.

Wildflower Grassland Cutting

During the first growing season cut wildflower grassland every 2 months to a height of 40-60mm and in subsequent growing seasons cut to 40-60mm height during late March and late August / early September or as specified. All arisings shall be collected and removed from the site to avoid smothering the sward and to reduce nutrient levels. Spot treat perennial weeds with Glyphosate at the manufacturer's recommended dose rate / hand pull.

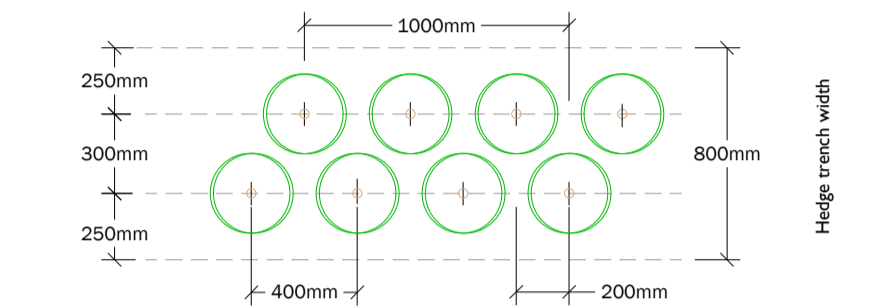


TYPICAL TREE PLANTING DETAIL - Container grown tree. Double stake fixing in soft landscape adjacent to Carriageway / footway - Not to Scale



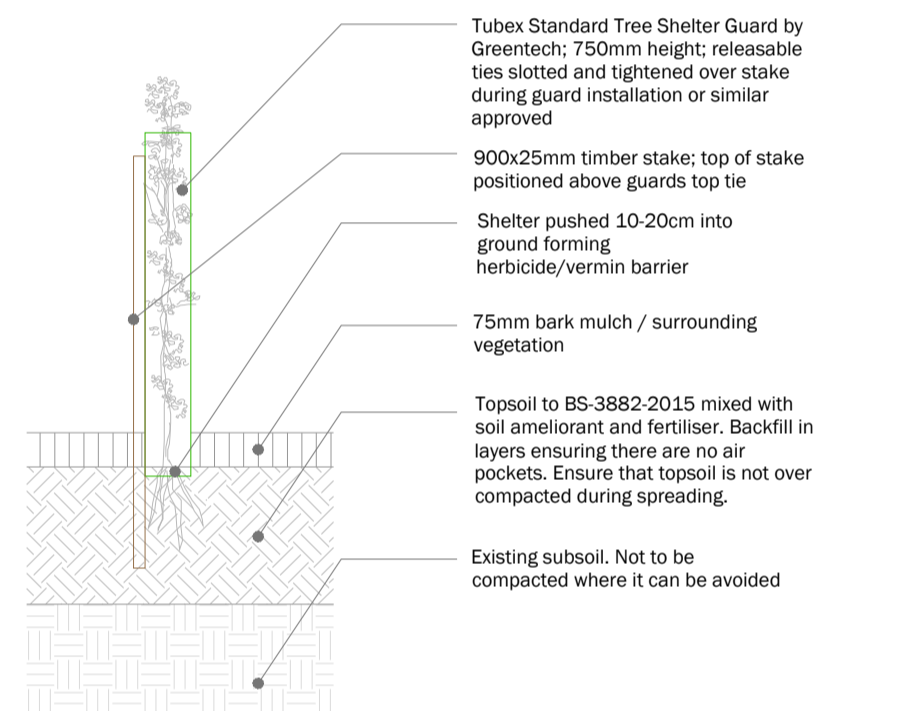
The hedge shall be planted in a single row at the above dimensions

HEDGE PLANTING DETAIL - 3/m Single row with 500mm trench Not to Scale



The hedge shall be planted in a staggered row at the above dimensions

HEDGE PLANTING DETAIL - 5/m Double staggered row with 800mm trench Not to Scale



TYPICAL HEDGE PLANTING SECTION Not to Scale

Drawing for planning purposes only, do not construct from this drawing

This drawing is to be used for planting information only

Any species substitution must be verified with the project Landscape Architect

This layout must be checked in accordance with NHBC Standards 2020 (Chapter 4.2 - Building Near Trees and Chapter 10.2 - Drives, Paths and Landscaping) by the project engineer prior to implementation

Excavations: Contractors must ensure they have full information relating to service and drainage positions before undertaking any excavations

Root barriers to be used in association with tree planting adjacent to kerbs, services, highways etc.

Rev	Date	Description	Drn
P02	15.04.24	Amended to the Suitability to Planning	KYZ
P01	06.06.23	First Issue	IM

Title:	Landscape Specification and Details
Project:	Courtlands, Todds Green, Stevenage
Client:	Hertford Planning Service
Date:	May 2023
Scale:	@A1
Drawing No:	2706-LLA-ZZ-XX-DR-L-0301
Revision:	P02
Suitability:	Planning
Project No:	2706

T: +44 (0)1279 847044 E: office@lize.com www.lize.com

COPYRIGHT Liz Lake Associates
Information contained in this drawing is confidential and may not be used for any purpose other than that for which the drawing is supplied without prior written authority of Liz Lake Associates.
This drawing is copyright and may not be copied except within the agreed conditions of supply.

BSL MAPING
Reproduced from Ordnance Survey map data by permission of Ordnance Survey © Crown copyright 2022, Licence No. 100001206
Ordnance Survey Licence No. 1520031678
This drawing contains information and/or missing from a number of sources and its accuracy should be verified on site.

LIZ LAKE ASSOCIATES
LANDSCAPE ARCHITECTS