

This drawing is copyrighted and owned by Capita Symonds and is for use on this site only

Do not scale this drawing (printed or electronic versions). Contractors must check all dimensions from site

All other design team elements, where indicated, have been imported from the consultant's drawings and reference should be made to the individual consultant's drawings for exact setting out, size and type of component.

Discrepancies and/or ambiguities within this drawing, between it and information given elsewhere, must be reported immediately to the architect for clarification before proceeding.

All works are to be carried out in accordance with the latest British Standards and Codes of practice unless specifically directed otherwise in the specification.

Responsibility for the reproduction of this drawing in paper form, or if issued in electronic format, lies with the recipient to check that all information has been replicated in full and is correct when compared to the original paper or electronic image. Graphical representations of equipment on this drawing have been co-ordinated, but are approximations only. Please refer to Specifications and / or Details for actual sizes and or specific contractor construction information.

A Trading Division of Capita Symonds Ltd
Registered in England No. 2018542 71 Victoria Street, Westminster, London SW1H 0XA

SAFETY, HEALTH AND ENVIRONMENTAL INFORMATION

For Construction Design Management (CDM) risk assessment please refer to document number: CDM

It is assumed that all works on this drawing will be carried out by a competent contractor, working where appropriate to an approved method statement.

Rev	Description	Date	Chk
P00	INITIAL ISSUE	00/00/00	AAA

- Client Approval Status
- A - Approved
 - B - Approved with comments
 - C - Amend with comments and re-submit
 - D - Do not use

Purpose of Issue	Status

Client
Cambridgeshire County Council
Education Capital

Project
4 Bay Modular Classroom Building
Number 646

Drawing
Plan and Elevations

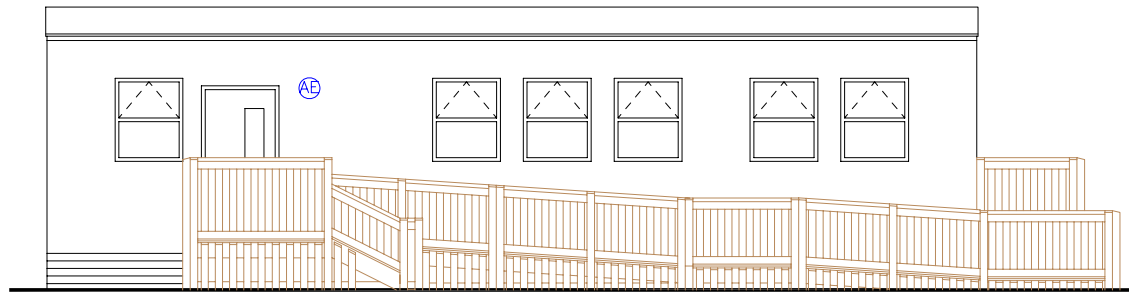
Scale @ A3	Drawn	Checked	Approved
1/100	DMC		
Project No	Date		
CS/023562-54	Jan '12		

Drawing Number
Mb646-01-000

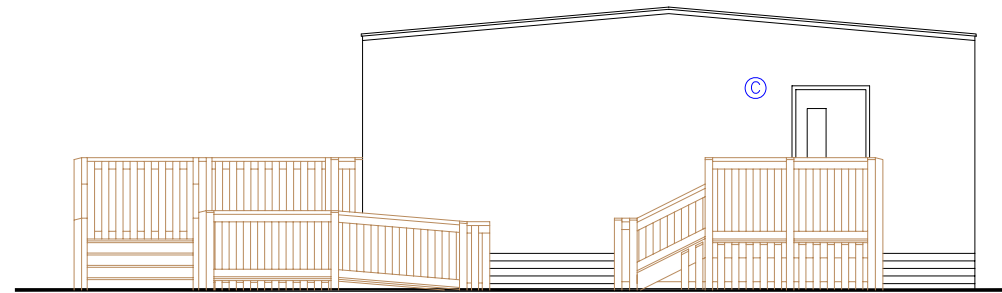
CAPITA
ARCHITECTURE
Clarendon House
Clarendon Road
Cambridge CB2 8FH
T 01223 326640

CAPITA PERCY THOMAS CAPITA RUDDLE WILKINSON

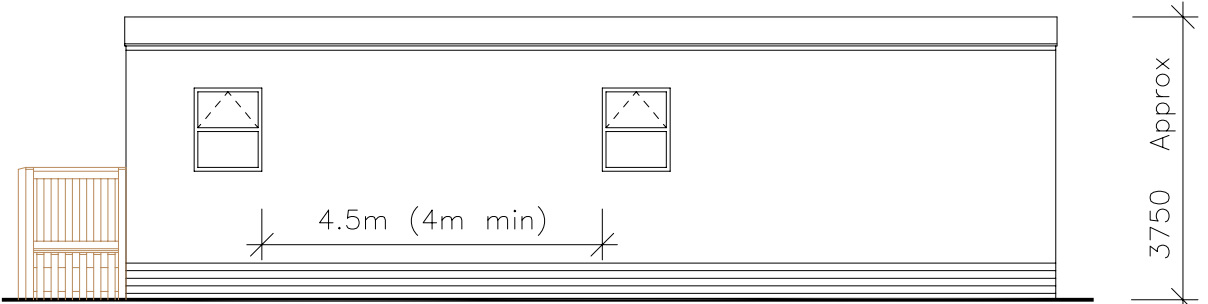
www.capitaarchitecture.com



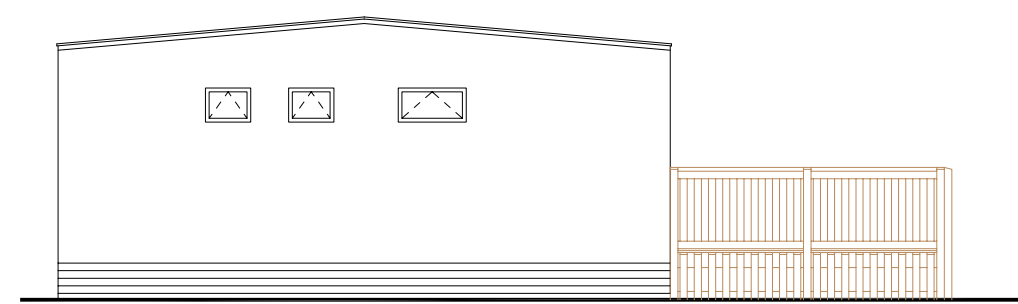
Front Elevation



L H End Elevation



Rear Elevation



R H End Elevation

Indicative layout of suspended foul drainage beneath mobile floor shown for illustrative purposes only. Actual layout used may vary from site to site provided compliance with Building Regulations is maintained

