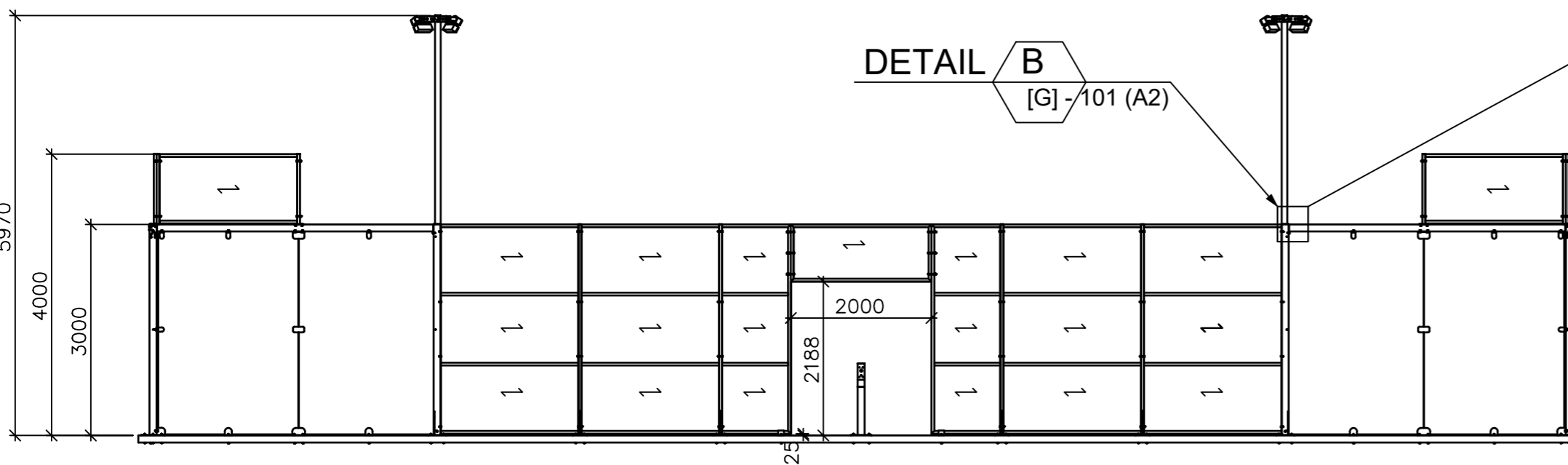
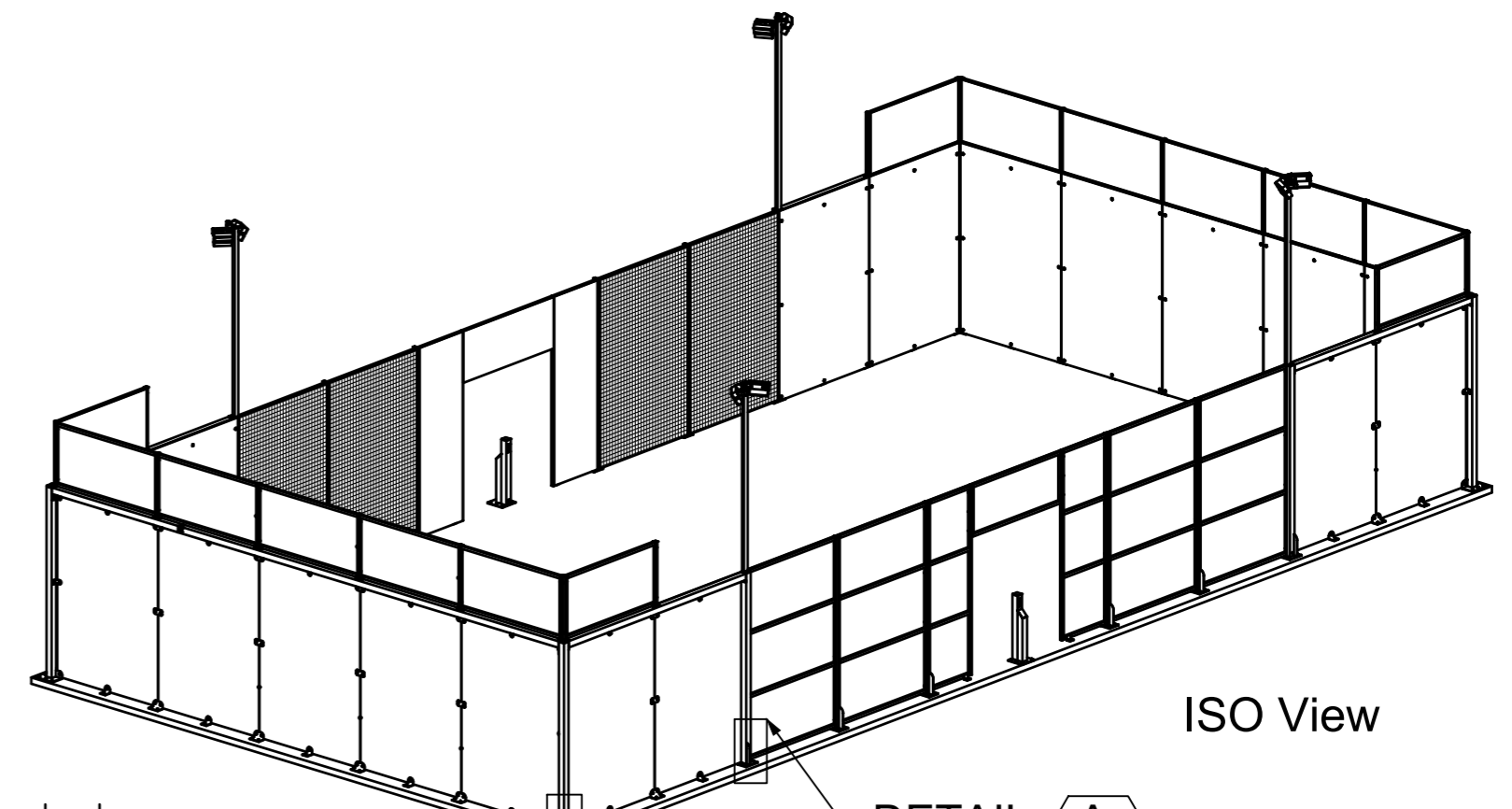
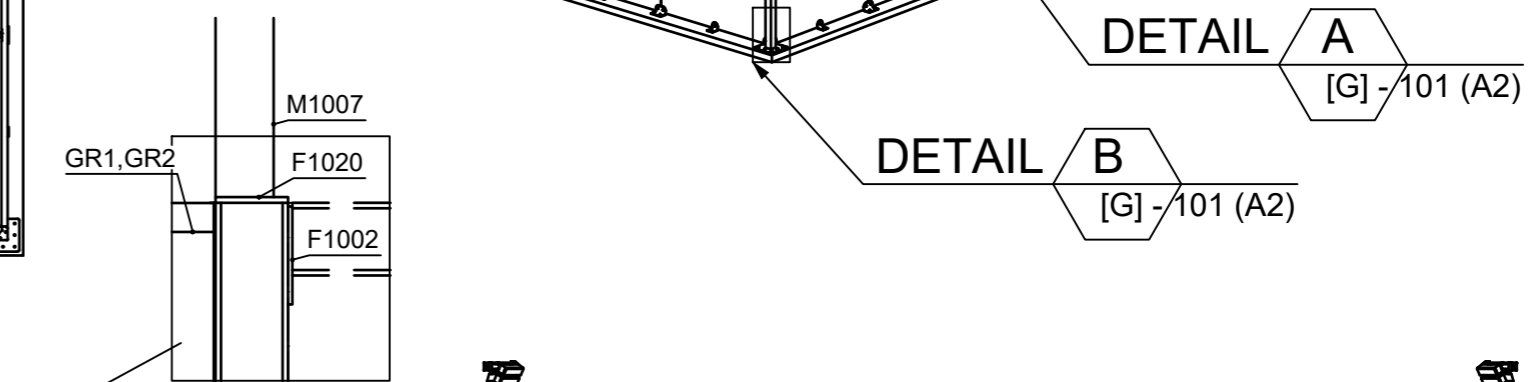


Plan View

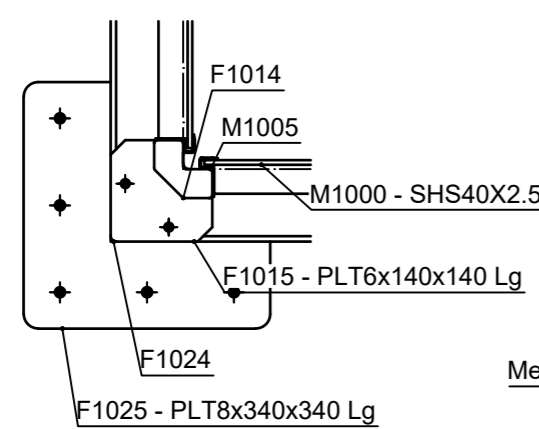


Side Elevation



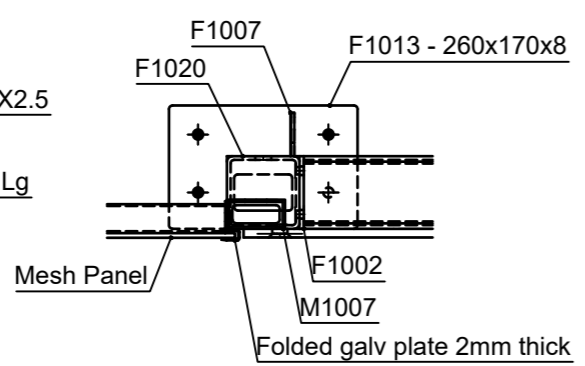
B DETAIL [G]-101 (A2) Scale: 1:10

C DETAIL Scale: 1:10

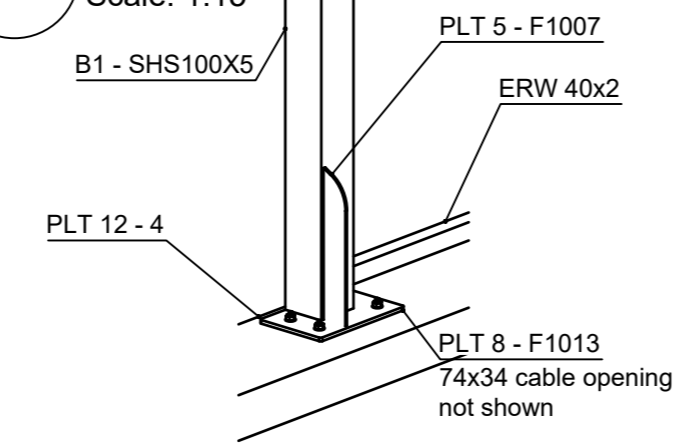


View on Gates

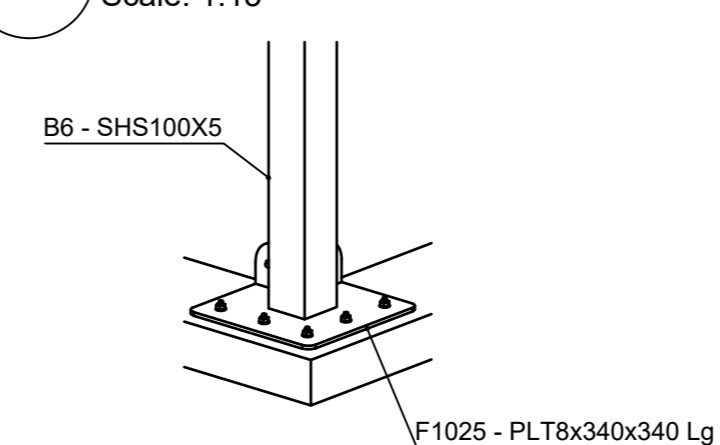
D DETAIL Scale: 1:10



A DETAIL Scale: 1:15



B DETAIL Scale: 1:15



Specification:
 Posts – 40x80x3mm RHS 8mm thick support plates up to 500mm and 8mm Thick base plate.
 Corner posts – 100x5mm SHS with 8mm thick baseplates.
 Mesh – 50x50x3mm welded mesh sat into a 2mm thick folded sheet with SHS 40x40x2.5mm ERW struts.
 Glass – 12mm Thick clear toughened fixed to 100x5mm SHS Beams to the sides and to the 4 meter returns.
 Posts fixed down using Hilti Hus2 10 X 100 Screw anchors

Shown with openings both sides and lighting posts

Finish – Painted, Ral TBC.



ANY Weld Limited
 Leisureline House
 Oakwood Close
 Roundswell Business Park
 Barnstaple EX31 3NJ
 Tel 01271 860794
 Mob 07833248848

Title
 Pro Padel Panoramic Court – Layout
 Standard Doubles Court

Contract	Standard Doubles Court	Drawn By	JM	Date	21/07/2020
Project Number	XXXX	Checked By	AY	Date	
Drawing Status	Not Set	Finish		Scale	1:10,1:100,1:15,1:75
Drawing Number	[GA] - [G] - 101 (A2)	Revision	A2	Author	AS

A	26/11/2021	Initial Issue Drawings	AS
Index	Date	Description	Author