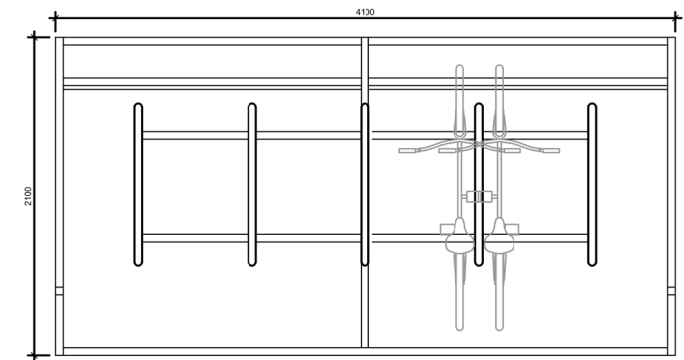
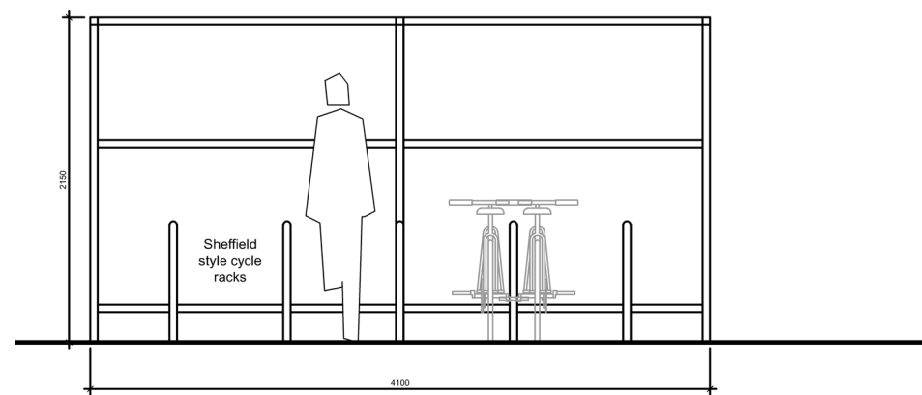


GROUND FLOOR LEVEL

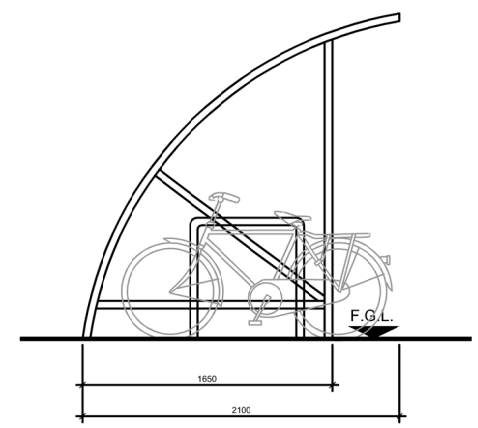
EDGWARE ROAD



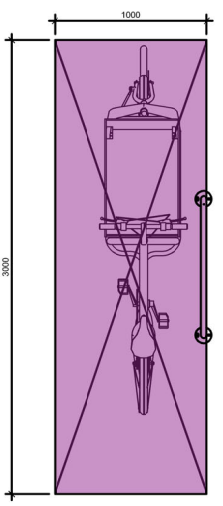
BICYCLE PLAN TYPICAL LAYOUT - 1:50
LONG/SHORT STAY STAY



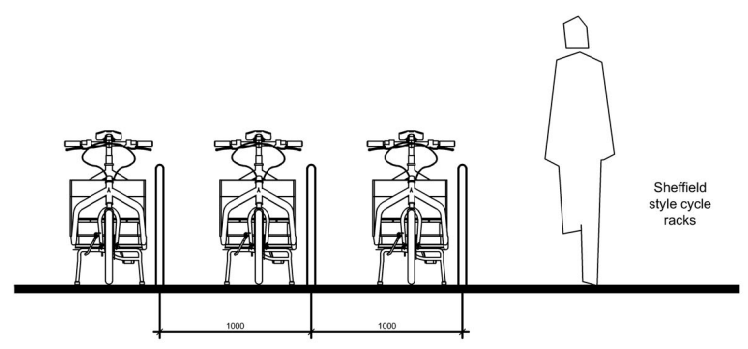
BICYCLE TYPICAL ELEVATION LAYOUT - 1:50
LONG/SHORT STAY



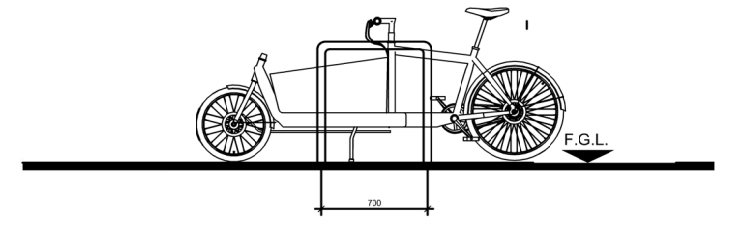
BICYCLE TYPICAL
SIDE ELEVATION - 1:50
SHORT STAY



BICYCLE TYPICAL PLAN FOR
CARGO BIKE SPACE - 1:50
SHORT STAY



BICYCLE TYPICAL ELEVATION LAYOUT - 1:50
CARGO BIKES (WITHIN UNDERCROFT)



BICYCLE TYPICAL SIDE ELEVATION LAYOUT - 1:50
CARGO BIKES (WITHIN UNDERCROFT)

NOTES ORIGINAL A3

All levels and dimensions to be checked on site prior to construction / fabrication; report discrepancies immediately.

This drawing is copyright protected.

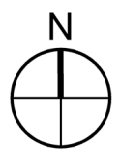
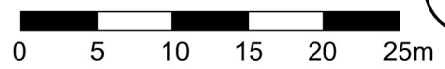
REVISION
A 120324 Layout updated TF

Bicycle Parking:

- 6 short stay Cargo Bikes
 - 24 long stay - standard
 - 12 short stay - standard
- Total = 42 spaces**

Site boundary

SCALE 1:500



PLANNING

SCALE	DATE	DRAWN	CHECKED
1:500	FEB'23	AF	DA

PROJECT
EQT EXETER
400 Edgware Road
Cricklewood: NW2 6ND

DRAWING
Cycle parking
BIKE PARKING

Threesixty
Architecture

10 MONTROSE STREET
GLASGOW
G1 1RE t 0141 229 7575
www.360architecture.com

DRAWING No.
23032GA_D_313A