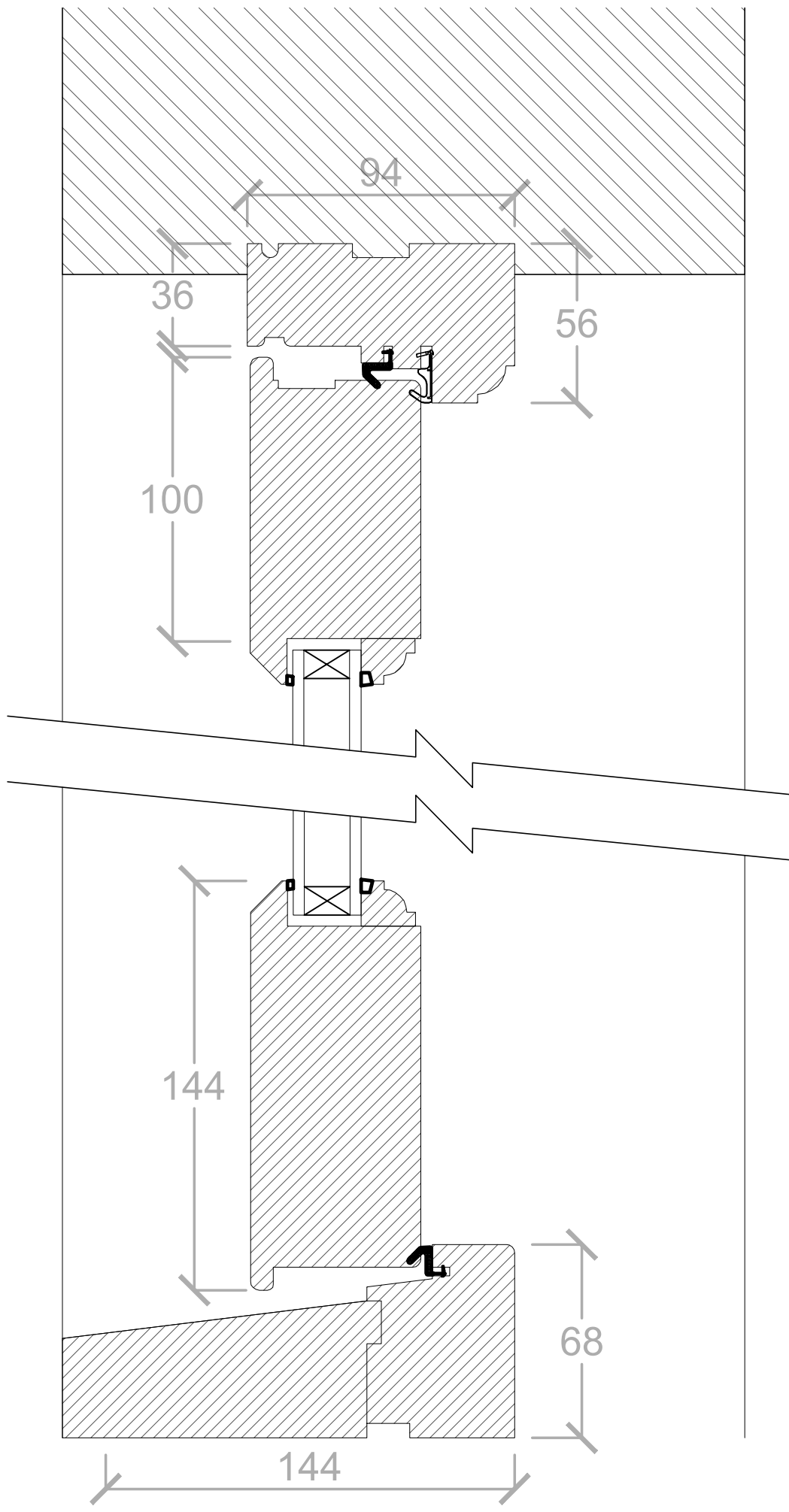
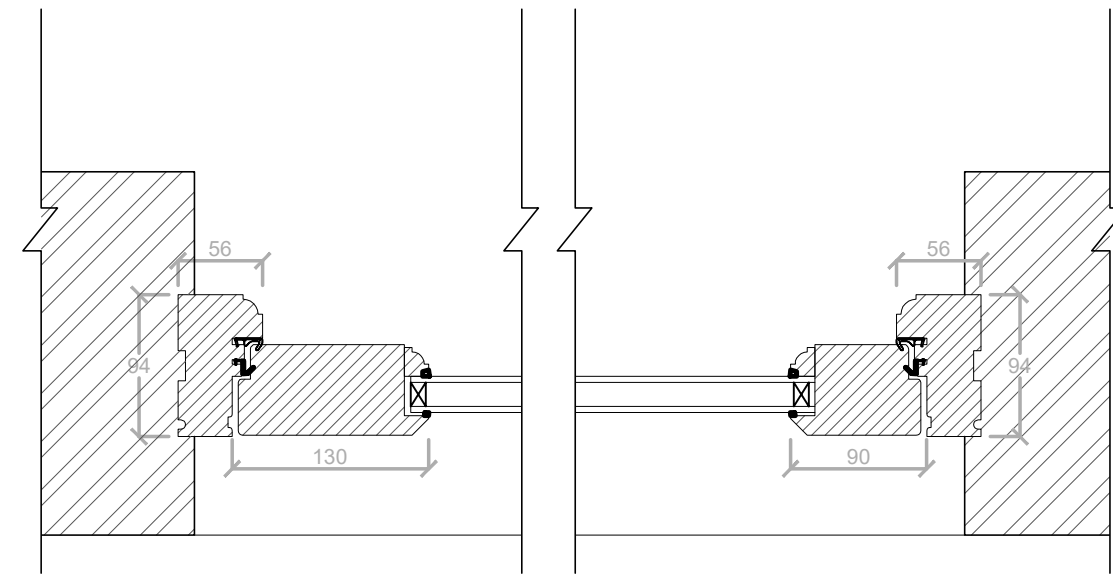


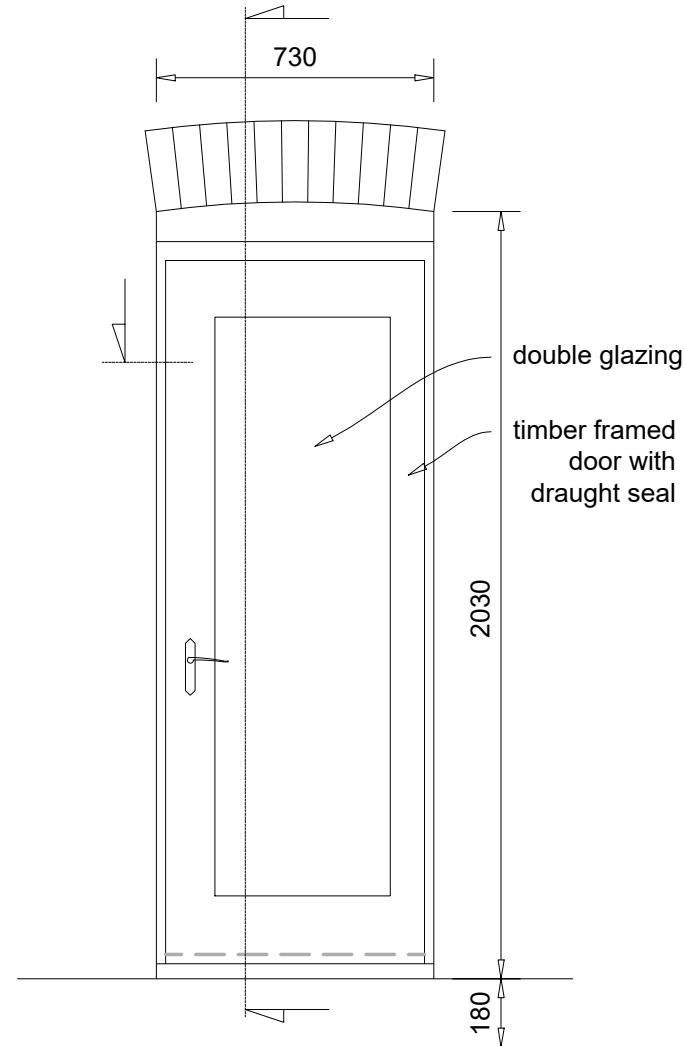
This drawing is the copyright of Get Planning & Architecture Ltd. and may not be reproduced without permission. Dimensions must not be scaled (except for planning purposes) and must be checked prior to construction and manufacture.



SECTIONAL DETAILS (SCALE 1:2)



PROPOSED DOOR PLAN DETAILS (SCALE 1:5)



PROPOSED DOOR ELEVATION (SCALE 1:20)

-	issued	BG	BG	CK	16/04/24
-	drawn	BG	BG	CK	15/04/24
REV	details	check	AM	by	date

<b>revisions:</b>					
project: NEW DOOR					
site: FLAT 2, 49 MONTAGU SQUARE, W1H 2LW					
drawing: PROPOSED DOOR DETAILS					
scale: 1:20, 1:5, 1:2 @ A3		date: 15/04/2024		project no: 13163	drawing no: 12
				rev: -	

**Get Planning & Architecture**  
 7 Tudor Court, Brighton Road  
 Sutton, Surrey SM2 5AE  
 tel. 0208 770 3962  
 www.get-planning.co.uk  
 email: info@get-planning.co.uk