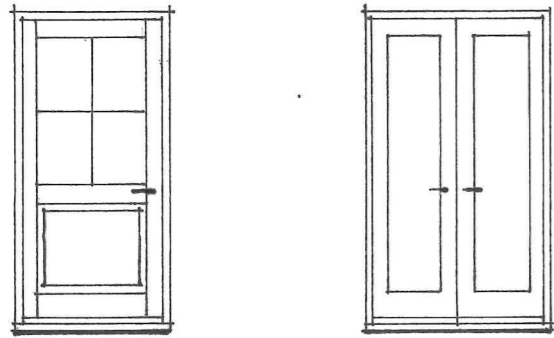
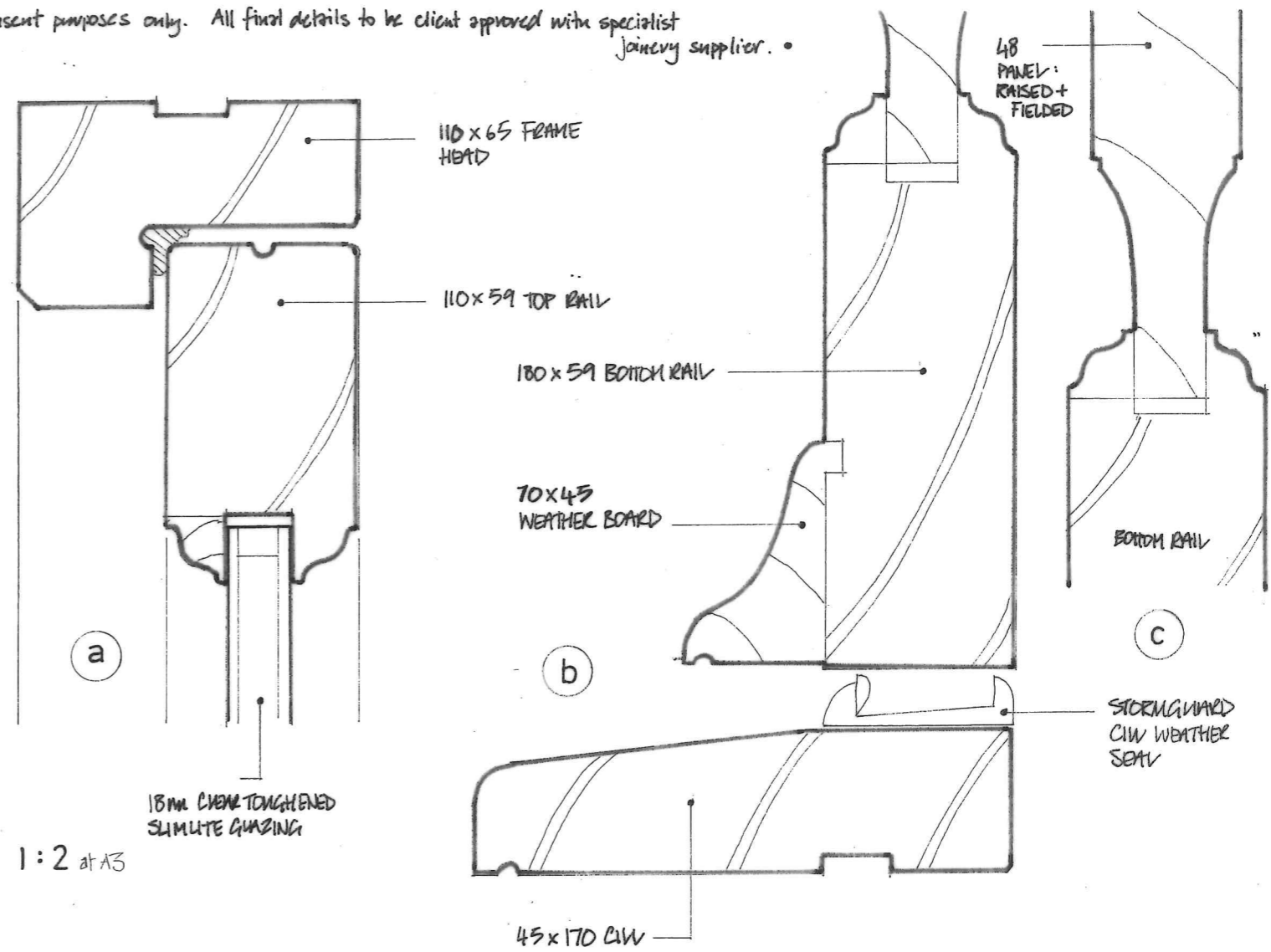


• Drawing prepared for listed Building Consent purposes only. All final details to be client approved with specialist joinery supplier. •

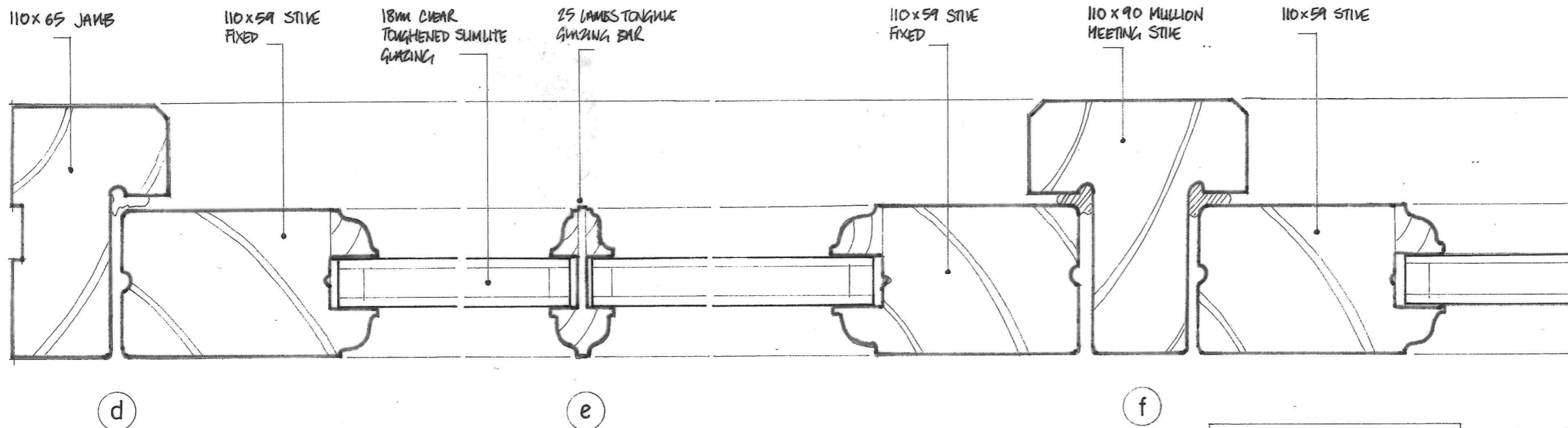


Utility Lobby Music Room  
EXTERNAL ELEVATIONS 1:50



1:2 at A3

• Site measure opening prior to fabrication •



- FACTORY PAINTED HARDWOOD CONSTRUCTION
- OILED HARDWOOD (SAPANE) CW
- FULL NEOPRENE COMPRESSIVE WEATHER SEALS

- PAINTED HARDWOOD BEADS (EXTERNAL)
- OVOLO Moulding Profile
- IRON/MON/STEM / WORKING - CLIENT APPROVED

- SLIMLITE DOUBLE GLAZED UNITS: WARM EDGE BLACK SEALS + SPACERS
- CLEAR TONGUED - TRANSFER MARKED



External Door Joinery Details  
The Old Bakehouse Chipping Campden  
Mr + Mrs Gabb March 2024  
Drawn: RJ 3093-013