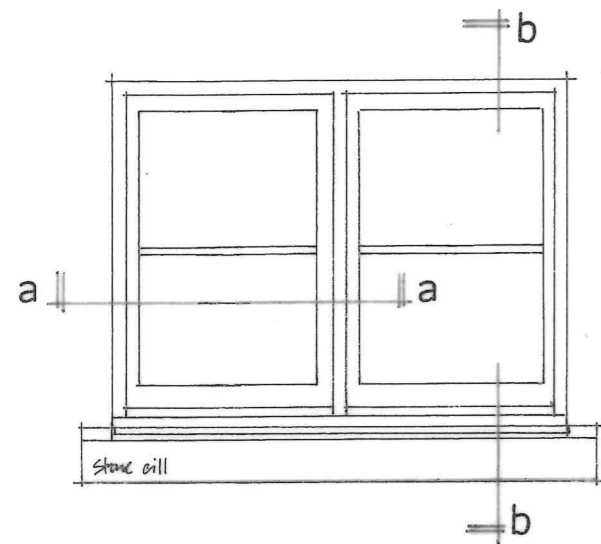


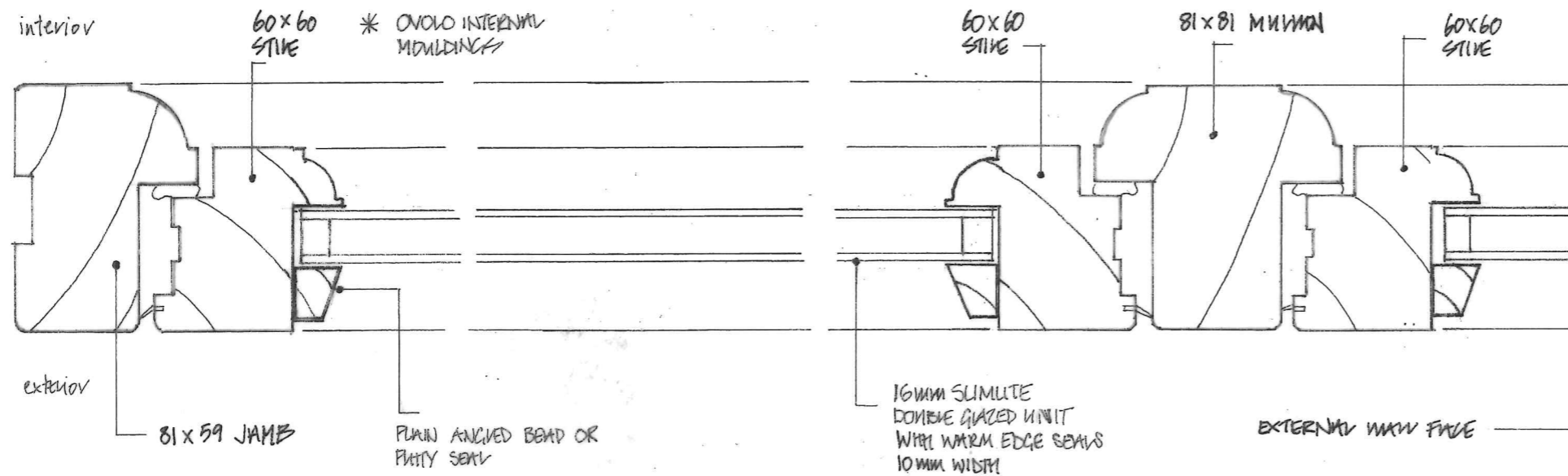
NOTE: THIS DRAWING IS PREPARED FOR PLANNING APPLICATION / LBC PURPOSES ONLY



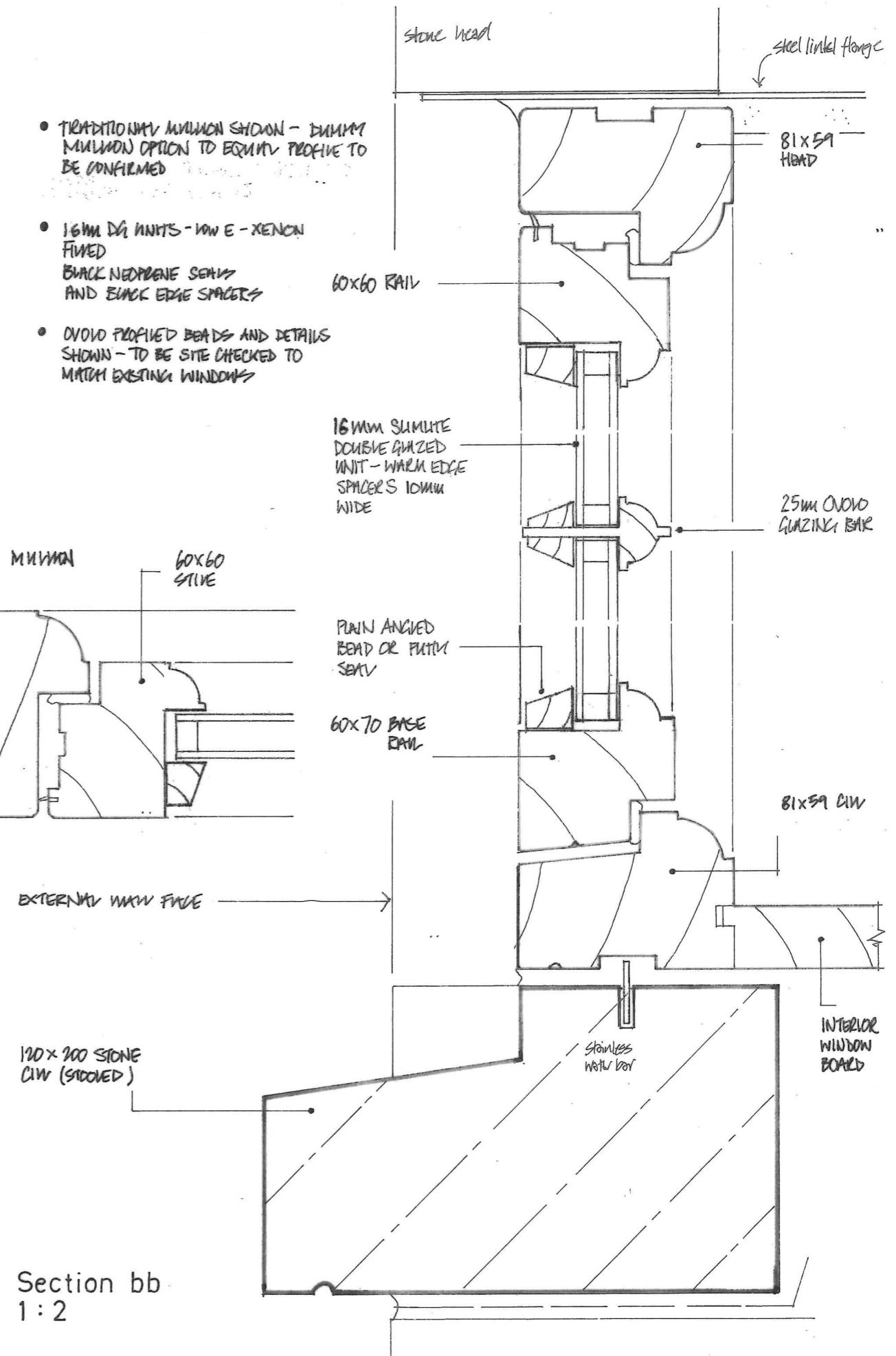
Indicative Exterior Elevation  
1:20

- FACTORY PAINTED FINISH - 100UM TBC
- SUSTAINABLE SOURCED SELECTED HARDWOOD
- COLOUR-JOINERY WEATHER SEALS - COMPRESSION + BUZZER TYPE
- CHROME BUTT HINGES
- CONVENTIONAL ESPAGNOLLETTE MULTI-POINT WORKING OR TRADITIONAL SASH STAYS
- ESPAGNOLLETTE HANDLES/STAYS TBC

- TRADITIONAL MULLION SHOWN - DUMMY MULLION OPTION TO EQUIV PROFILE TO BE CONFIRMED
- 16MM DIA UNITS - W/E - XENON FILLED  
BLACK NEOPRENE SEALS AND BLACK EDGE SPACERS
- OVOLO PROFILED BEADS AND DETAILS SHOWN - TO BE SITE CHECKED TO MATCH EXISTING WINDOWS



Section aa 1:2



Section bb  
1:2



Tyack Architects Ltd  
The Mann Institute  
Oxford Street  
Moreton-in-Marsh  
Gloucestershire, GL56 0LA  
t: 01608 650 490  
f: 01608 651 863  
e: mail@tyackarchitects.com  
w: tyackarchitects.com

Window Joinery Details  
The Old Bakehouse Chipping Compton  
Mr + Mrs Ash  
S&S: AS SHOWN  
D&M: RJ  
March 2024  
3093-012