

500mm ϕ CATCHPIT IN PRIVATE AREAS SUBJECT TO VEHICLE LOADING

COVER COMPLYING WITH BS EN 124 AND BS 7903

COVER AND FRAME TO BE DOUBLE SEAL STAINLESS STEEL:
 - CLASS B125 LOADING FOR FOOTWAYS AND SOFT LANDSCAPED AREAS
 - CLASS D400 FOR AREAS SUBJECT TO VEHICULAR LOADING;
 600mm CLEAR OPENING

150mm OF DOT TYPE 1 SUB BASE OR CONCRETE SURROUND

REFER TO PIPE BEDDING SPECIFICATION

150mm OF DOT TYPE 1 SUB BASE OR CONCRETE SURROUND

ACCESS OPENING RESTRICTED TO 350mm DIAMETER IF DEPTH OF CHAMBER IS > 1m

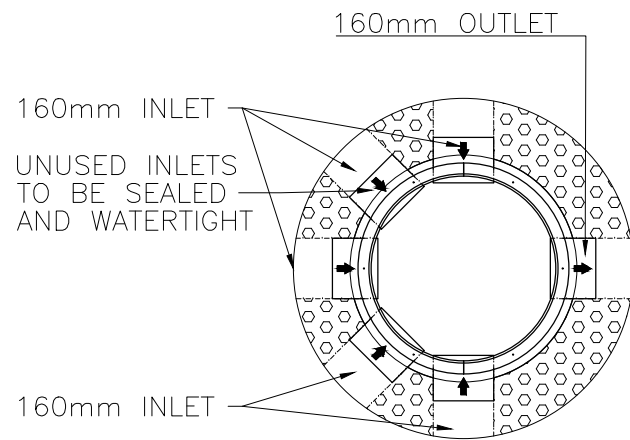
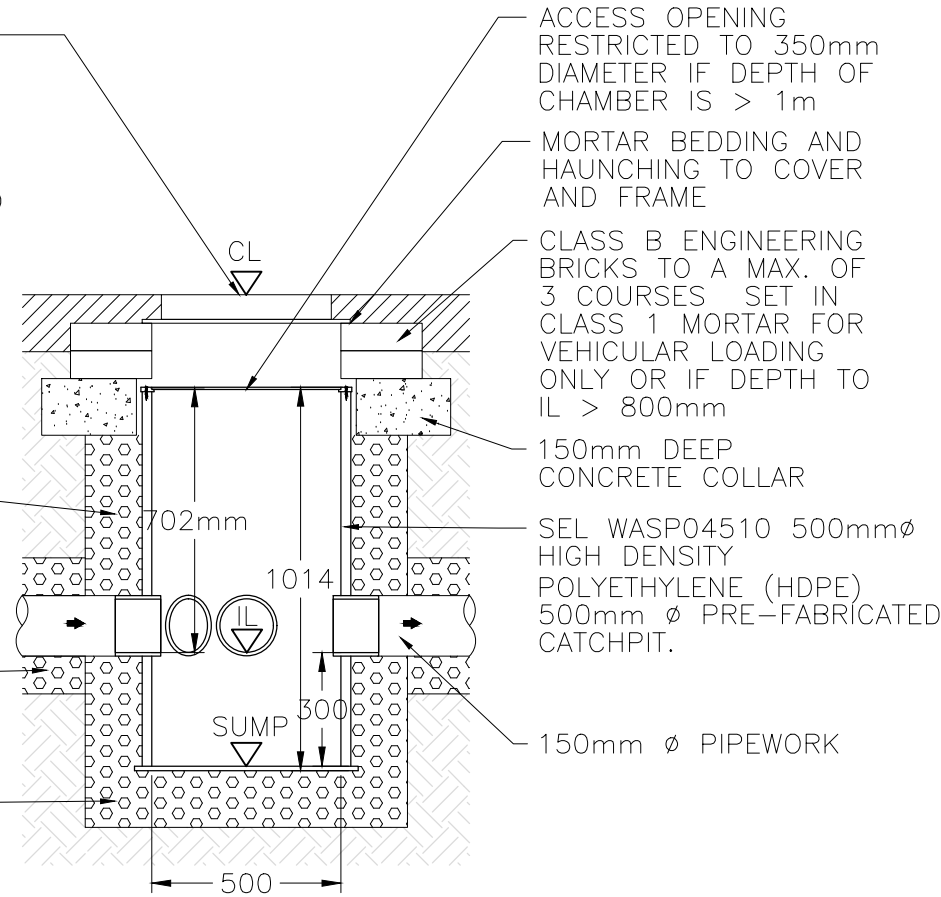
MORTAR BEDDING AND HAUNCHING TO COVER AND FRAME

CLASS B ENGINEERING BRICKS TO A MAX. OF 3 COURSES SET IN CLASS 1 MORTAR FOR VEHICULAR LOADING ONLY OR IF DEPTH TO IL > 800mm

150mm DEEP CONCRETE COLLAR

SEL WASP04510 500mm ϕ HIGH DENSITY POLYETHYLENE (HDPE) 500mm ϕ PRE-FABRICATED CATCHPIT.


150mm ϕ PIPEWORK



PLAN

NOTES:

THE SEL WASP04510 CHAMBER CAN BE REDUCED ON SITE TO SUIT REQUIRED INVERT LEVELS.
 THE CHAMBER HAS 5 X 160mm ϕ INLET PIPE SPIGOT AND 1 X 160mm ϕ OUTLET.
 THE INLETS/OUTLET CAN BE REDUCED TO 110mm ϕ BY INCORPORATING LEVEL INVERT REDUCERS AS REQUIRED.
 THE CHAMBER HAS A 300mm DEEP SUMP.
 CATCHPIT CHAMBER INSTALLATION AND PIPE CONNECTIONS TO BE MADE STRICTLY IN ACCORDANCE WITH MANUFACTURERS RECOMMENDATIONS.

Revision	Description	Date	Checked
TENDER ISSUE			
Drawing Title Catchpit to perimeter of capping beam			
Architect SIGNUM SPACE		Scale 1:20	
Job STAPLEFORD COTTAGE WOKING GU22 7HQ		Drawn AM 13.03.24	Checked TB
BARNARD & ASSOCIATES Ltd Consulting Engineers 18 Northfields Prospect Northfields, London, SW18 1PE Tel No. 0208 874 9005 Fax No. 0208 870 7386 Email barnard@intonet.co.uk		 Drg No. 23170-711 F137 issue02 17.05.09	Revision T1