

RODDING EYE FOR PEDESTRIAN AREAS ONLY

RODDING EYE INSTALLATION AND PIPE CONNECTIONS TO BE MADE STRICTLY IN ACCORDANCE WITH MANUFACTURERS RECOMMENDATIONS

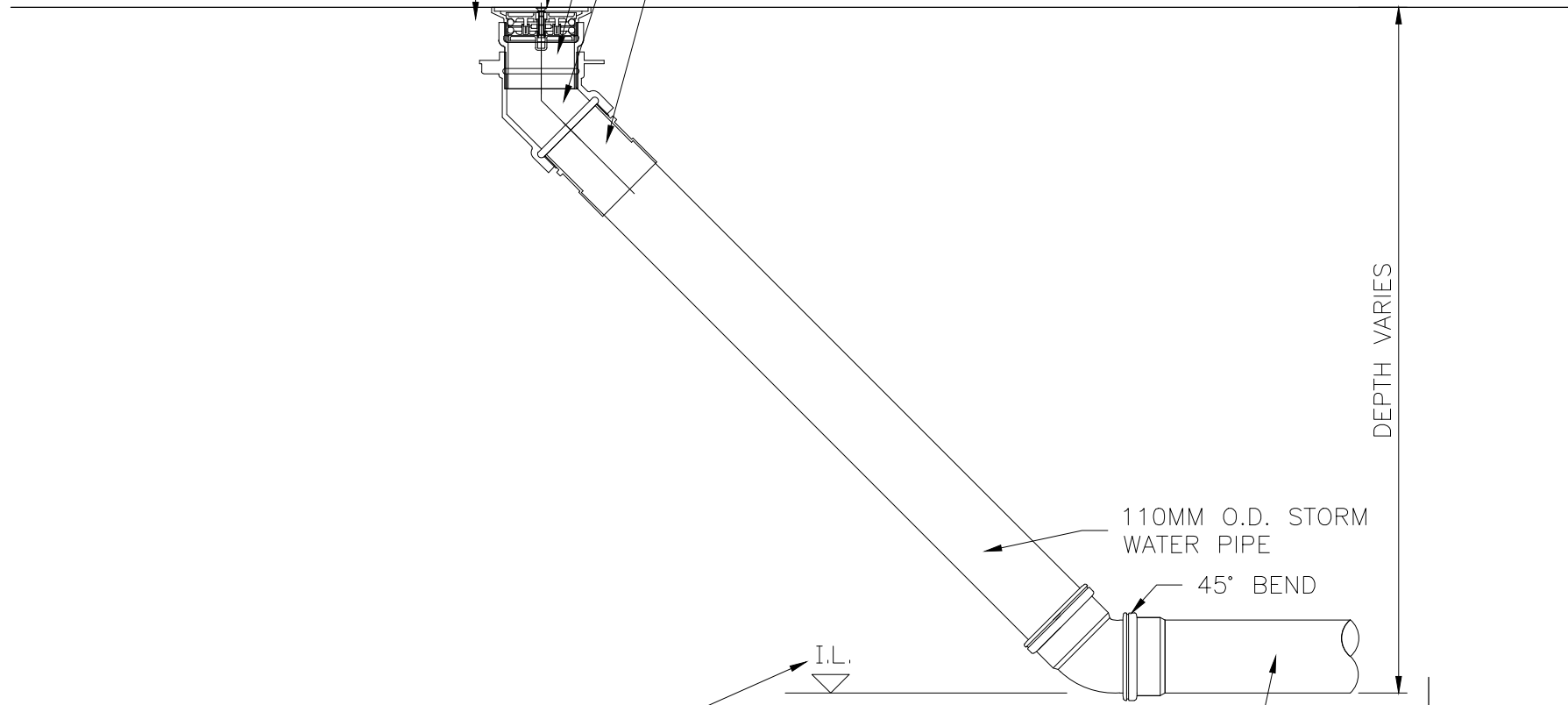
FINISHES TO ARCHITECTS SPECIFICATIONS

NICKEL BRONZE VARI-LEVEL ACCESS COVER SUPER SEALED (K5501) FROM WADE BUILDING DRAINAGE OR SIMILAR APPROVED. COVER TO BE FLUSH WITH FINISH

CAST IRON VARI-LEVEL EXTENSION (U102 OR U103 DEPENDING ON HEIGHT) CAN BE USED TO SUIT FLOOR FINISHES FROM WADE BUILDING DRAINAGE OR SIMILAR APPROVED. HEIGHT TBC BY ARCHITECTS

CAST IRON VARI-LEVEL NON TRAPPED BODY 45° THREADED OUTLET (B504) FROM WADE BUILDING DRAINAGE OR SIMILAR APPROVED

THREADED PIPEWORK ADAPTOR TO ALL 100MM PLASTIC PIPES (T1704)FROM WADE BUILDING DRAINAGE OR SIMILAR APPROVED



FOR INVERT LEVEL REFER TO DRAINAGE GA DRAWINGS OR RELEVANT MANHOLE SCHEDULES

STORM WATER PIPE, FOR GRADIENTS REFER TO DRAINAGE GA DRAWINGS OR RELEVANT MANHOLE SCHEDULES

Revision	Description	Date	Checked
T1	ISSUE FOR TENDER	27.03.24	TB

Status **TENDER ISSUE**

Drawing Title
Rodding eye detail

Architect
SIGNUM SPACE

Scale
1:10

Job
STAPLEFORD COTTAGE
WOKING GU22 7HQ

Drawn
AM 13.03.24

Checked
TB

BARNARD & ASSOCIATES Ltd
Consulting Engineers
18 Northfields Prospect
Northfields, London, SW18 1PE
Tel No. 0208 874 9005 Fax No. 0208 870 7386
Email barnard@intonet.co.uk



Drg No.
23170-714

Revision
T1

F137 issue02 17.05.09