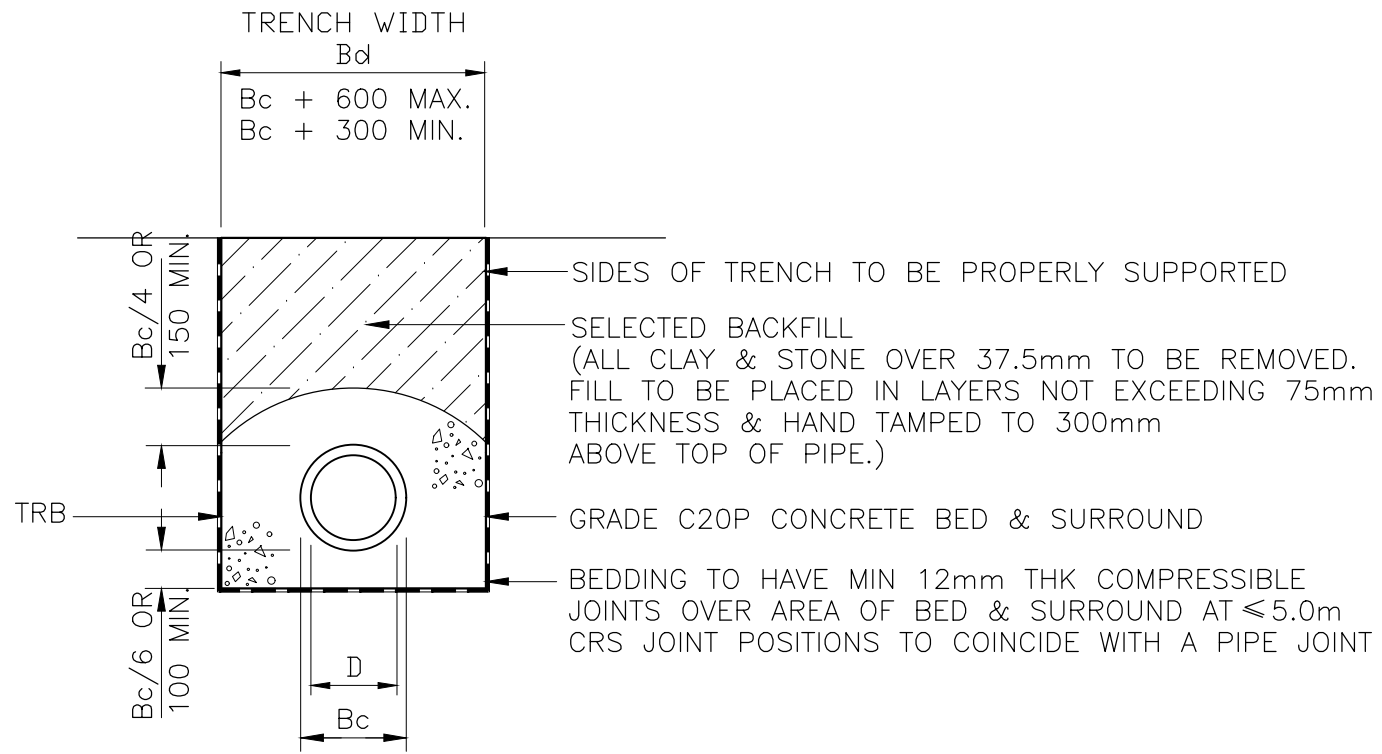
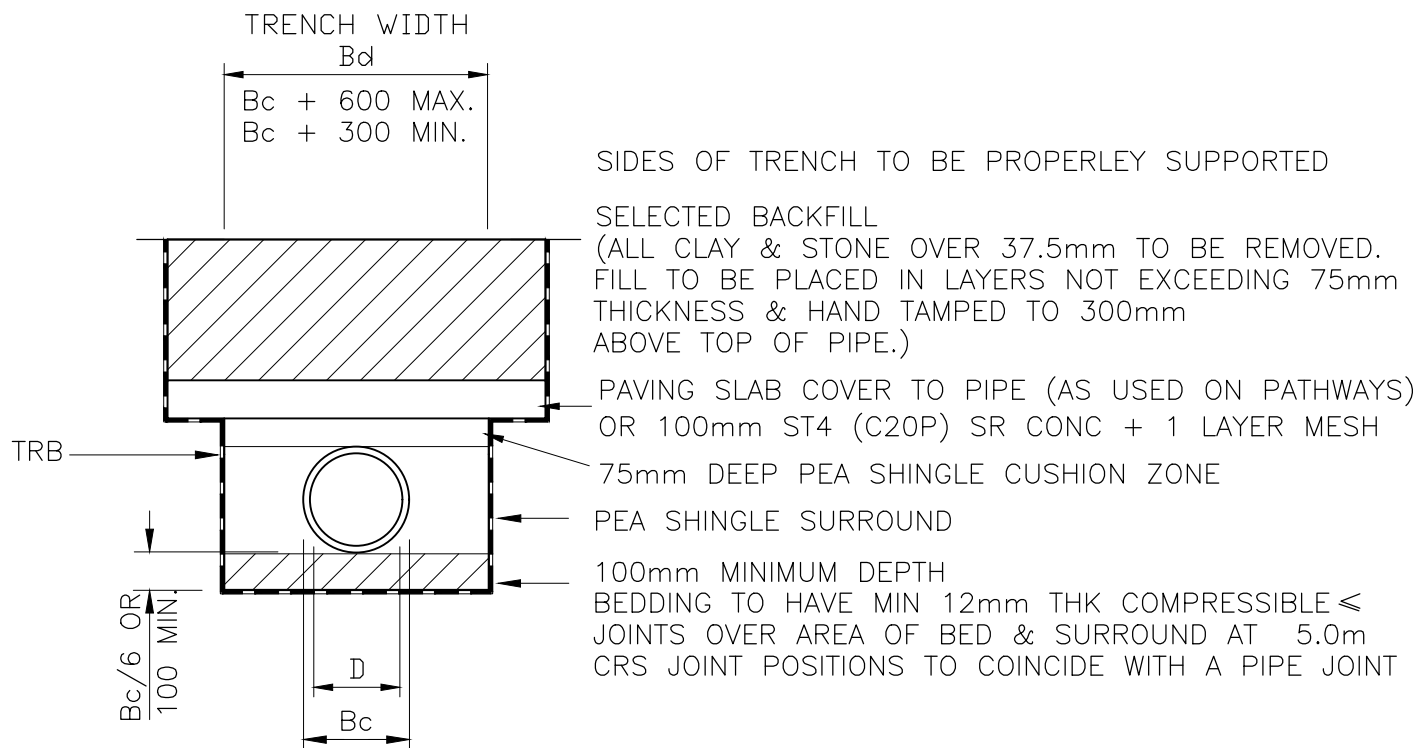


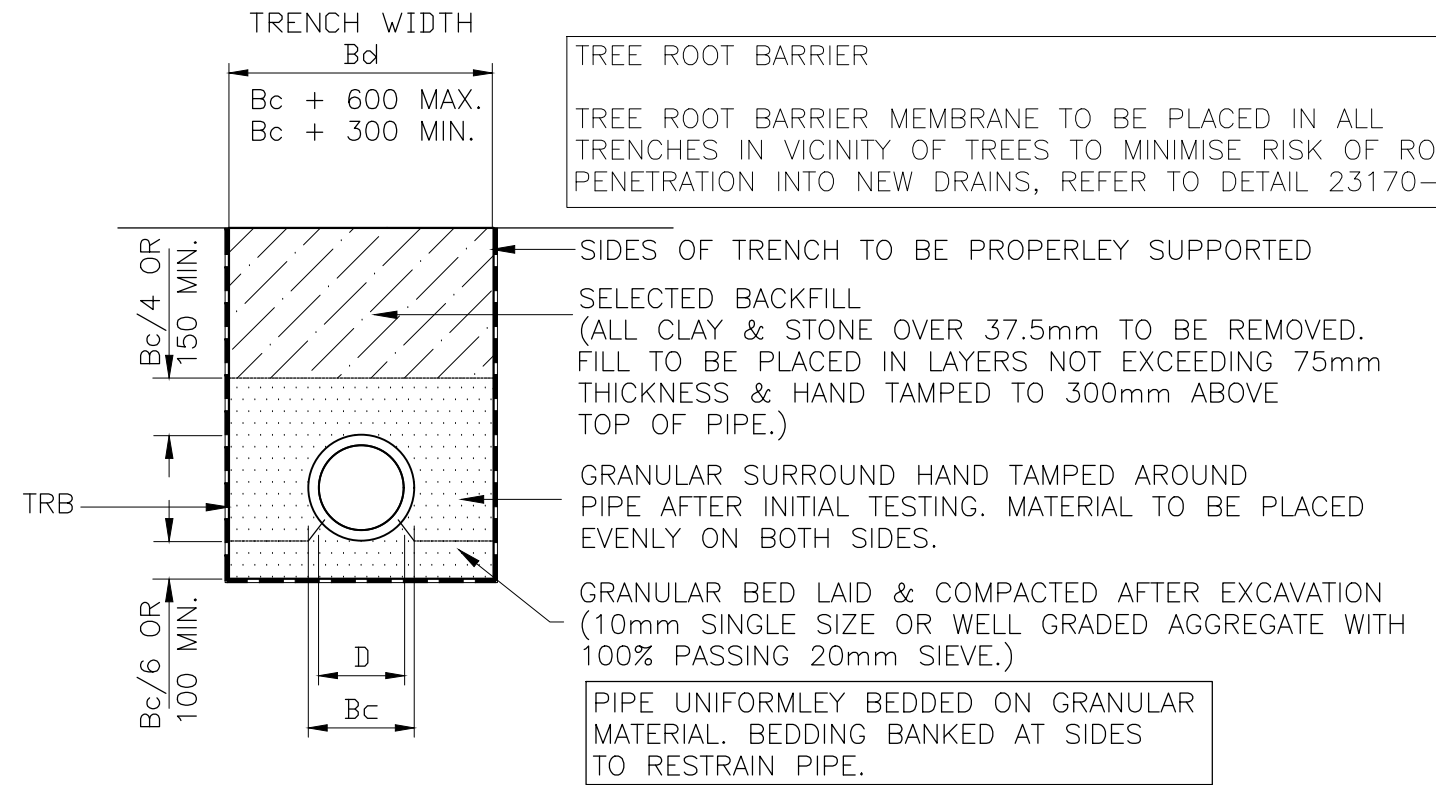
APPLICABLE TO PIPES WITH LESS THAN 0.9m COVER TO SOFFIT BELOW PARKING AREAS & LESS THAN 0.6m COVER IN LANDSCAPED AREAS



APPLICABLE TO PLASTIC PIPES WITH LESS THAN 0.6m COVER IN LANDSCAPED AREAS



APPLICABLE TO PIPES LAID DEEPER THAN 0.9m BELOW PARKING AREAS OR PIPES LAID IN LANDSCAPED AREAS WITH GREATER THAN 0.6m COVER



GRANULAR MATERIALS		
D	BS: 882 COARSE AGGREGATE	
	GRADED AGGREGATE RANGE (mm)	SINGLE SIZED AGGREGATE SIZES (mm)
NOT EXCEEDING 140	—	10
>140 BUT NOT EXCEEDING 400	20-5 OR 14-5	10, 14 OR 20
EXCEEDING 400	14-5, 20-5 OR 40-5	10, 14, 20 OR 40

PIPE SIZE (mm)		
D= Internal Pipe Diam	Bc External Pipe Diam	Bd Trench Width Minimum
150	190	600
225	280	700
300	380	850
375	500	1050
450	620	1150
525	670	1200
600	790	1350

T1	ISSUE FOR TENDER	27.03.24	TB
Revision	Description	Date	Checked

Status **TENDER ISSUE**

Drawing Title **Pipe Bedding details**

Architect **SIGNUM SPACE** Scale **1:20**

Job **STAPLEFORD COTTAGE WOKING GU22 7HQ** Drawn **AM** 13.03.24 Checked **TB**

BARNARD & ASSOCIATES Ltd
Consulting Engineers
 18 Northfields Prospect
 Northfields, London, SW18 1PE
 Tel No. 0208 874 9005 Fax No. 0208 870 7386
 Email barnard@intonet.co.uk



Drg No. **23170-717** Revision **T1**
 F137 issue02 17.05.09