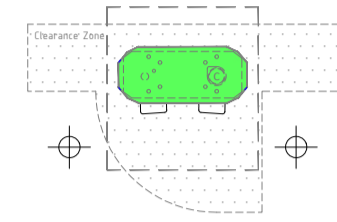
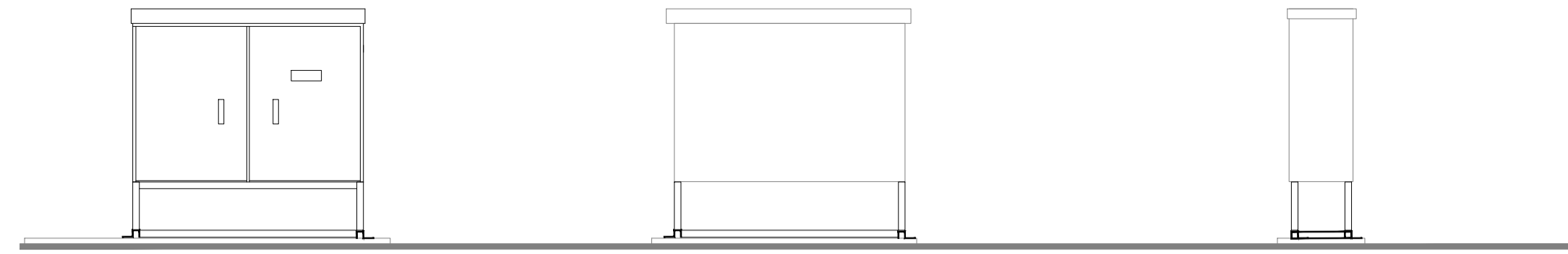




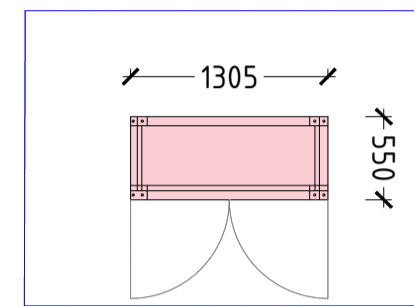
Front Elevation Scale 1:50 Side Elevation Scale 1:50 Rear Elevation Scale 1:50 Side Elevation Scale 1:50



TRITIUM RTM 75 CHARGER
CABINET & CHARGER Floor Plan
Scale 1:50



Front Elevation Scale 1:50 Rear Elevation Scale 1:50 Side Elevation Scale 1:50



Low Voltage (LV) Feeder Pillar
Floor Plan
Scale 1:50

REV	DATE	DESCRIPTION	BY	CHK
A	2024-02-06	REVISED SCOPE OF WORK RECEIVED FROM CLIENT (HV-LV).	LBM	ACM

REVISION

TSG
Driving New Energies

14 Hayhill Industrial Estate
Barrow upon Soar
Leicestershire
LE12 8LD
Phone: +44 (0) 1162 437 476

COPYRIGHT of TSG UK Solutions Ltd.
All rights reserved. Details of this
drawing must not be reproduced or
copied without prior written consent.
Do not scale from this drawing, use
figured dimensions only. All
dimensions to be checked on site.



Client
M&S RICKMANSWORTH SF
193 High St, Rickmansworth WD3 1BB, United Kingdom

Drawing Title
EV EQUIPMENT DETAILS

Drawn By	Drawing Status	Checked By	Security Code	Scale	Media
LBM	DEFINE	----	XX	1:20	0
Approver	Drawing No.	Date	Revision		
XX	008	2023-09-06	A		

